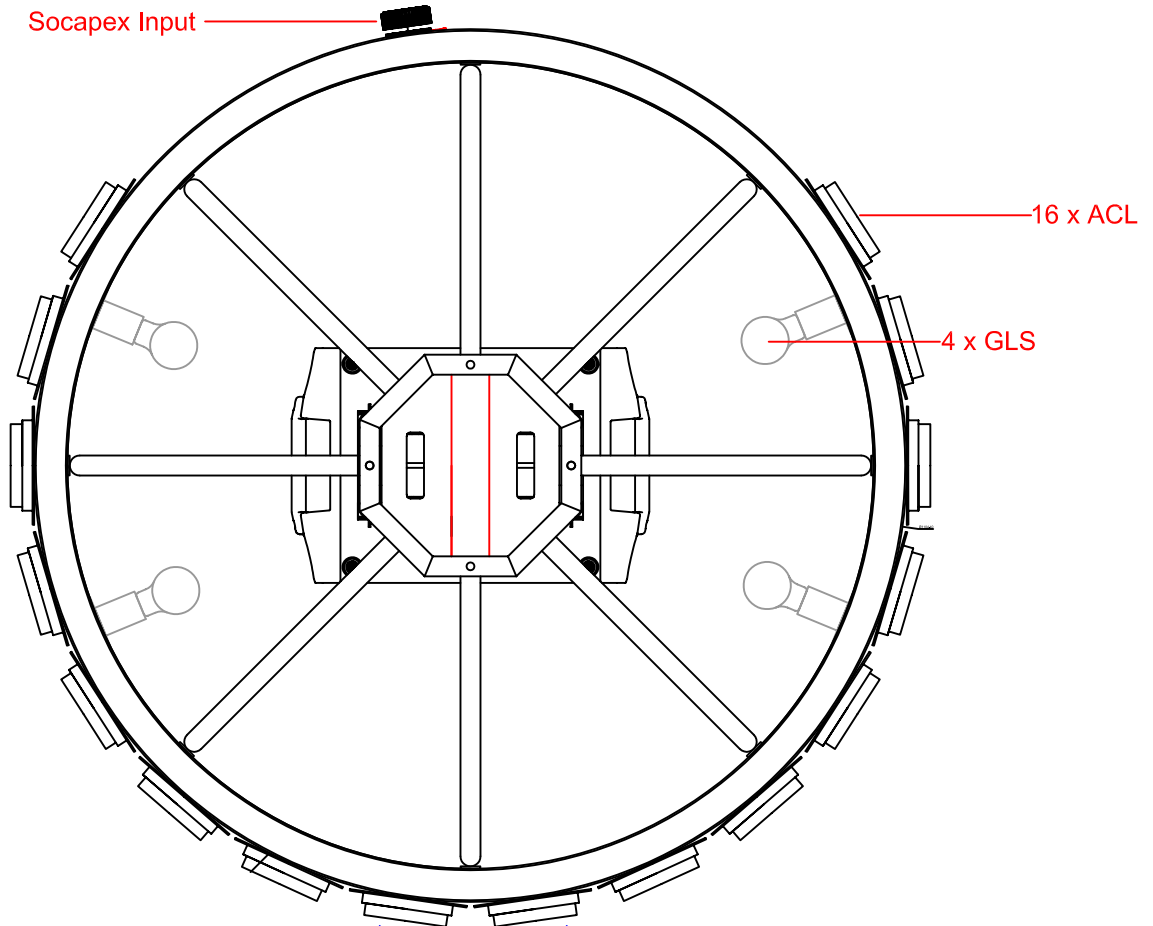
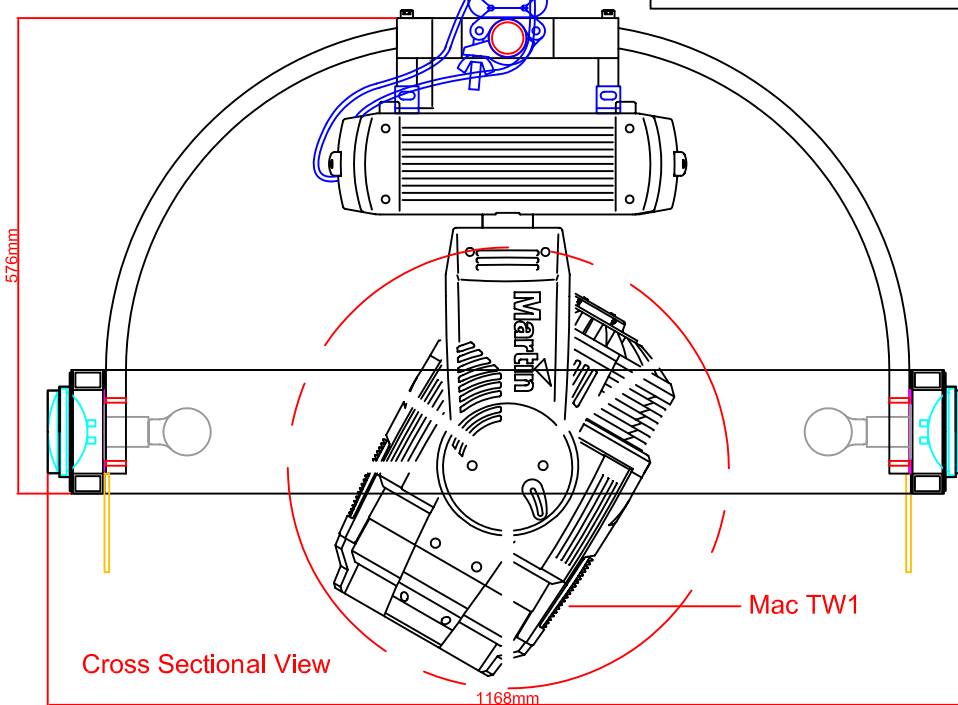


Socapex Input



**Lily Allen Lampshades
 Concept by Chris Bushell
 Engineering and Design by
 Specialz Ltd**

Mac lamp safety



Cross Sectional View

THIS IS A CAD DRAWING. NO MANUAL ALTERATIONS ARE TO BE UNDERTAKEN.
 ALL DIMENSIONS IN MILLIMETRES. UNSPECIFIED TOLERANCES ± 0.10



HEAD OFFICE
 UNIT 2, KINGSTON INDUSTRIAL
 ESTATE, 81-86 GLOVER STREET.
 BIRMINGHAM, B9 4EN, ENGLAND.
 TEL : +44 (0) 121 766 7100 / 7110
 FAX : +44 (0) 121 766 7113

© SPECIALZ LTD.



-	05/10/09	KO	ORIGINAL
REV	DATE	DRN	DESCRIPTION
TITLE : LA Lampshade Detail 8 Off			
SIZE : A4	SCALE : To Fit	DRG REF : LALS016	