



**REDHEAD 800W**  
VARIABLE BEAM  
FLOODLIGHT

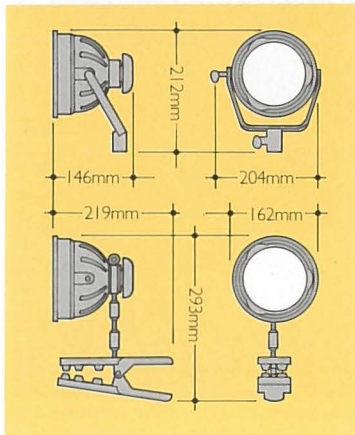
**61 314 24** Stirrup Mount, Barndoor and Accessory Holder 1.94kg

**61 314 22** Stirrup Mount 1.33kg

**61 314 30** Clamp Mount 1.72kg

This lightweight 800W variable beam flood was the industry's first lamphead to be constructed from heat-insulating polyester/glass fibre material. The Redhead has an easy-to-use focusing mechanism for varying beam angle from 42° to 86° with even distribution of light. The unit accepts linear quartz lamps, 800W 220/240V or 650W 120V, and can also be used with 30V 250W lamps for battery operation.

All models supplied with 3.5 metres of power cable, and in-line switch; also DXX 240V 800W lamp in U.K. only.

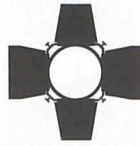


Scale 1:15

Accessories

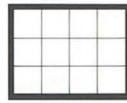
Accessory holder\*

**66 314 40**



4 Leaf rotating barndoor\*

**66 314 67**



Outrig colour frame  
**66 314 59**



Wire guard\* (N.B. Stops any other accessory being fitted)  
**66 314 75**



Safety glass in mount\*  
**66 945 61**



Dichroic 'Daylight' filter in mount\*  
**66 945 53**



Full double scrim\* (50% transmission)  
**66 948 25**



Full single scrim\* (66% transmission)  
**66 948 17**



Half double scrim\*  
**66 949 20**



Half single scrim\*  
**66 949 12**

Hand grip

**53 140 31**

'Rankpak' reflector pack

**53 140 4T**

Outfit case (for 4 heads and accessories)

**53 142 32**

Outfit case (for 3 heads and accessories)

**53 142 30**

Wire mesh guard

**66 314 51**

Lamps

DXX (P2/13) 800W

240V lamp **34 413 81**

220V lamp **34 413 14**

Note: Redhead luminaires should only be operated when fitted with either safety mesh, safety glass or dichroic filter.

Recommended Suspension & Stands

(For full description of Stands refer to Section 6)

Spartan stand **67 257 56**

Apollo stand **52 052 04**

Small gaffer grip **66 198 17**

\* Accessories suitable for use with Pinza Clamp light in conjunction with accessory holder 66 314 40

**'AMERICAN' REDHEAD 1000W**  
120V VARIABLE BEAM FLOODLIGHT

**61 314 06** With Stirrup Mount, 3.5 metres power cable, and in-line switch.

**61 314 14** With Clamp Mount, 3.5 metres power cable and in-line switch

Lamp

DXX 1000W 120V lamp **34 413 65**

**'FIREBRIGADE' REDHEAD 250W**

**61 914 00**

This luminaire is a 24V 250W version of the standard 'Redhead' and comprises lamphead, toughened safety glass in mount.

Supplied with A1/223 24V 250W lamp.

Redhead 800W

Performance guide based on P2/13 800W lamp

	3m		4m		5m		6m	
	Lux	Ø	Lux	Ø	Lux	Ø	Lux	Ø
N	4750	2.3	2525	3.17	1625	3.88	1125	4.66
W	725	5.6	425	7.46	275	9.33	200	11.19

N = Narrowest W = Widest

For full photometric information refer to data sheet.

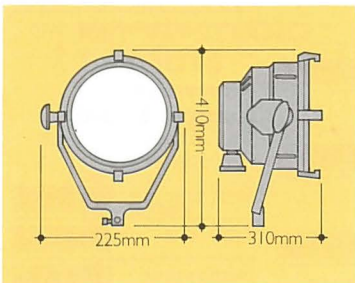


**BLONDE 2000W**  
VARIABLE BEAM  
FLOODLIGHT

**61 315 01** 3.85kg

The Quartzcolor Blonde 2000W is a versatile variable beam floodlight widely used for ENG, TV outside broadcasting and location filming. A moving reflector mechanism minimises lamp filament vibration when varying the beam from 23° spot to 70° flood, and so ensures maximum lamp life.

Supplied with accessory holder, 5 metres of power cable, and in-line switch; also FEX 240V 2000W lamp in U.K. only.



Scale 1:15

Accessories



4 Leaf rotating barndoor

**66 315 38**



Wire guard  
**66 315 62**



Safety glass in mount  
**66 315 70**



Dichroic 'Daylight' filter in mount  
**66 315 2T**



Full double scrim (50% transmission)  
**66 954 20**



Full single scrim (66% transmission)  
**66 954 12**



Half double scrim  
**66 955 26**



Half single scrim  
**66 955 18**

'Rankpak' reflector pack

**53 140 4T**

Single outfit case (for 1 head and accessories)

**53 150 12**

Double outfit case (for 2 heads and accessories)

**53 150 20**

Wire mesh guard

**66 315 71**

Lamps

2000W FEX (P2/27)

240V lamp **34 427 80**

220V lamp **34 427 72**

Note: Blonde luminaires should only be operated when fitted with either safety mesh, safety glass or dichroic filter.

Recommended Suspension & Stands

(For full description of Stands refer to Section 6)

Trojan stand **52 005 04**

Hercules stand **52 008 00**

Large gaffer grip **66 229 16**

Blonde

Performance guide based on FEX 2000W lamp

	4m		6m		8m		10m	
	Lux	Ø	Lux	Ø	Lux	Ø	Lux	Ø
N	13500	1.63	6000	2.44	3375	3.26	2175	4.07
W	1575	5.6	700	8.4	400	11.2	275	14.0

N = Narrowest W = Widest

For full photometric information refer to data sheet.