

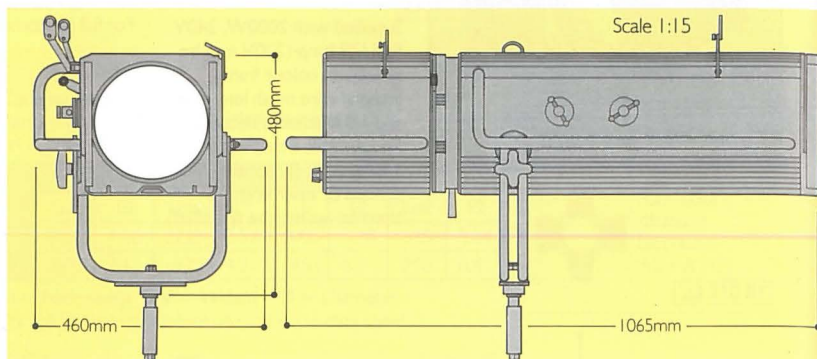
SOLO  
FOLLOW SPOTS

These robust luminaires feature a variable spread lens system giving beam angles from 9° to 15°. Peaky/flat field adjustment, controlled by a rotary knob at the rear of the housing, maintains excellent beam qualities at all settings. Front and rear sights are provided for aligning the beam before opening the iris or shutter.

SOLO 2K 2000W  
FOLLOW SPOT

**22 525 00** 30.5kg,  
colour magazine 3.0kg

Supplied with built-in iris diaphragm, colour frame, horizontal strip shutters, 3 metres of power cable with in-line switch, fork with T.V. spigot, adjustable balance for stand mounting. 2000W 240V RSE/79 lamp included.

SOLO CSI/CID  
1000W  
FOLLOW SPOT

**22 526 00** 42.5kg,  
ballast 18.5kg,  
colour magazine 3.0kg

Supplied with automatic EHT starter unit (220/240V 50Hz input) and external ballast with 3 position switch for stand-by, half and full power. 5 metres of power cable and 2 metres of cable to ballast. Built-in iris diaphragm, colour frame, horizontal strip shutters, fork with TV spigot, adjustable balance for stand mounting. CSI or CID lamp included (specify type required).

## Solo 2K

Performance guide based on RSE/79 2000W lamp, set at peaky field

	8m		16m		24m		32m	
	Lux	Ø	Lux	Ø	Lux	Ø	Lux	Ø
N	8850	1.26	2225	2.52	1000	3.78	575	5.04
W	3875	2.1	975	4.2	450	6.3	250	8.4

N = Narrowest W = Widest Ø = Diameter

## Solo CSI

Performance guide based on CSI 1000W lamp, set at peaky field

	12m		24m		36m		48m	
	Lux	Ø	Lux	Ø	Lux	Ø	Lux	Ø
N	11825	1.8	2975	3.6	1325	5.4	750	7.2
W	7100	3.2	1775	6.4	800	9.6	450	12.8

N = Narrowest W = Widest Ø = Diameter

For full photometric information refer to data sheets.

Accessories for  
Solo Follow Spots

6-colour magazine, hand operated **23 879 90**

Folding, braced stand **26 897 04**



Additional 245mm<sup>2</sup> colour frame

**23 525 10**

Mechanical dimming shutter assembly for Solo CSI/CID

**23 525 00**

Lamp  
for Solo 2K

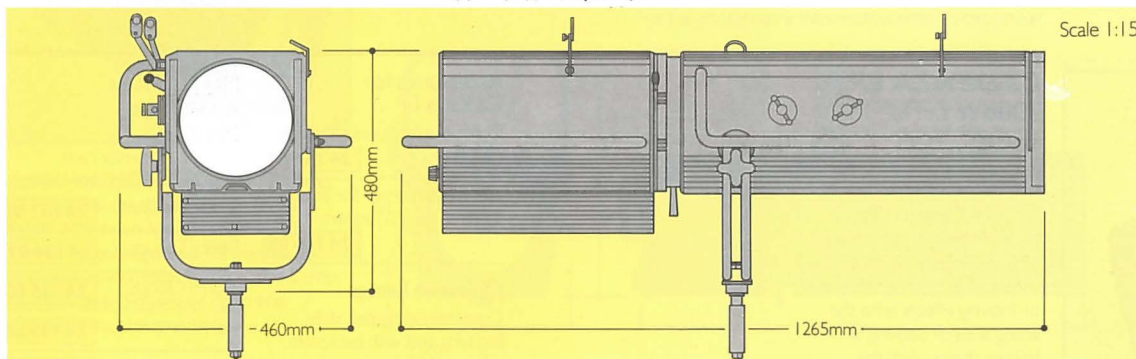
2000W RSE/79 **34 232 06**  
240V lamp  
220V lamp **34 232 14**

Lamps  
for Solo CSI/CID

1000W CSI Discharge lamp **34 213 07**

1000W CID 'daylight' Discharge lamp **34 227 06**

Note: For detailed information on lamps refer to Section 6.

PANI  
FOLLOWSPOTS

The Pani HMV range of daylight follow spots offers two narrow angle HMI luminaires with high efficiency elliptical mirror lens system for stage or outdoor work, and the powerful 2500 Zoom CID for long distance projection.

PANI HMV  
1200/20 1200W  
HMI

**38 220 03**  
10.5° max. beam spread, 200mm dia. P.C. lens, built-in iris diaphragm, 4 beam shaping shutters, black-out disc, external ballast unit

PANI HMV  
1200/35 1200W  
HMI

**38 235 08**  
6.5° max. beam spread, 230mm dia. P.C. lens, built-in iris diaphragm, 4 beam shaping shutters, black-out disc, external ballast unit.

Accessories for Pani  
HMV 1200/20 & HMV  
1200/35

Manually operated dimming shutter **38 250 05**

Hand operated 4-colour magazine **38 250 06**

T.V. spigot M10 **26 869 03**

Lamp  
1200W HMI **34 527 50**

PANI HMV 2500  
Zoom 2500W CID

**38 250 00**  
6°/16° variable spread beam, 20-50cm focal length zoom lens, built-in iris diaphragm, 4 beam shaping shutters, black-out disc, external ballast unit.

Accessories for Pani HMV  
2500 Zoom

Manually operated dimming shutter **38 250 01**

Hand operated 6-colour magazine **38 250 02**

Lamp  
2500W HMI **34 228 01**

Note: For detailed information on lamps refer to Section 6.