

STAGE LIGHTING SPOTLIGHTS

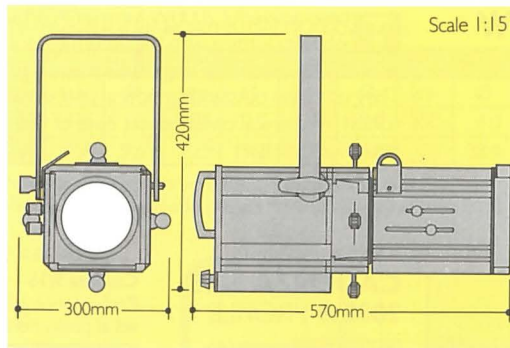
SECTION 4



CANTATA 26/44 1200W PROFILE

22 626 44 11kg

Beam options from 26° to a wide 44° are provided by this medium to wide angle profile spot. Supplied with 1200W, 240V RSE/29 lamp (220V may be specified), colour frame, integral wire mesh guard and 1.5 metres of detachable power cable fitted with 15amp plug. (European Schuko or open end alternatives may be specified)



Cantata 26/44

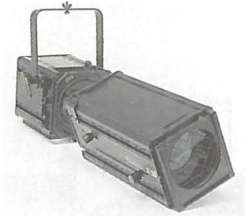
Performance guide based on RSE/29 1200W lamp, set at peaky field

	5m		10m		15m		20m	
	Lux	Ø	Lux	Ø	Lux	Ø	Lux	Ø
N	4275	2.3	1075	4.6	475	6.9	275	9.2
W	2275	4.0	575	8.0	275	12.1	150	11.4

N = Narrowest W = Widest Ø = Diameter
For full photometric information refer to data sheet.

Interchangeable Lens Tubes

For operational flexibility, the Profile versions of the Cantata feature interchangeable lens tubes to a common lamp housing.



Cantata Profile lamp housing with lamp and power cable

22 600 00

11/26 Profile lens tube complete with filter holder

22 600 26

18/32 Profile lens tube complete with filter holder

22 600 32

26/44 Profile lens tube complete with filter holder

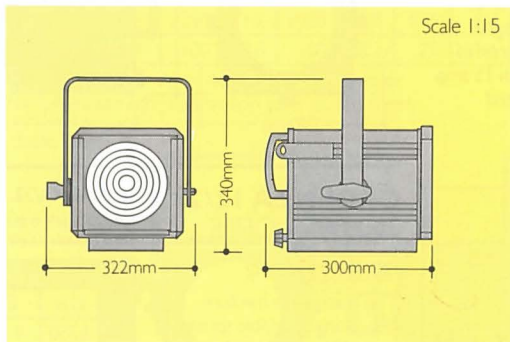
22 600 44



CANTATA F 1200W FRESNEL

22 628 00 5.8kg

This compact spotlight has a soft edge beam variable from a tight spot of 7.5° to a wide angle flood of 50°. Supplied with 1200W, 240V RSE/29 lamp (220V may be specified), colour frame, integral wire mesh guard and 1.5 metres of detachable power cable fitted with 15amp plug. (European Schuko or open end alternatives may be specified)



Cantata F

Performance guide based on RSE/29 1200W lamp

	5m		10m		15m		20m	
	Lux	Ø	Lux	Ø	Lux	Ø	Lux	Ø
N	4950	0.6	1250	1.3	550	2.0	325	2.6
W	775	4.6	200	9.3	850	14.0	50	18.6

N = Narrowest W = Widest Ø = Diameter
For full photometric information refer to data sheet.

Accessories for Cantata Spotlights

Four leaf rotatable barndoor (for F & PC)

23 216 00

18 leaf Iris diaphragm (for Profiles)

23 602 00

Gobo (pattern) holder to take B-size gobos (for profiles)

23 866 00

Additional 185mm² Colour Frame

27 262 04

Hook Clamp **26 483 07**

Safety Chain **26 064 18**

Lamps

RSE 29/1200W

240V Lamp **34 221 22**

220V Lamp **34 221 21**

Note: RSE/19 and RSE/70 1000W lamps are also approved for use in Cantata.

For details of these and other alternative lamps, refer to Section 6.

Alternative Power Cables

1.5 metre spotlight power cable fitted with UK 15 amp 3-pin plug **35 002 22**

1.5 metre spotlight power cable fitted with European Schuko plug **35 002 21**

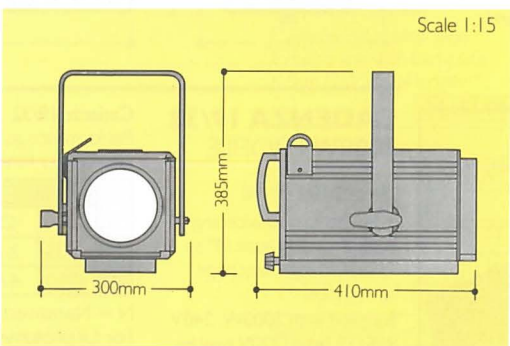
1.5 metre spotlight power cable with bare ends **35 002 20**



CANTATA PC 1200W PRISM CONVEX

22 628 02 7.2kg

Providing tighter lighting than the fresnel, the PC's diffused beam is variable from a narrow 4.2° spot to a wide angle flood of 49°. Supplied with 1200W, 240V RSE/29 lamp (220V may be specified), colour frame, integral wire mesh guard and 1.5 metres of detachable power cable fitted with 15amp plug. (European Schuko or open end alternatives may be specified)



Cantata PC

Performance guide based on RSE/29 1200W lamp

	5m		10m		15m		20m	
	Lux	Ø	Lux	Ø	Lux	Ø	Lux	Ø
N	8250	0.35	2075	0.7	925	1.05	525	1.4
W	575	4.6	150	9.2	75	13.8	50	18.4

N = Narrowest W = Widest Ø = Diameter
For full photometric information refer to data sheet.