

# 150W Batten, Footlight, Groundrow

**S/63,S/63F**  
**S/64,S/64F**

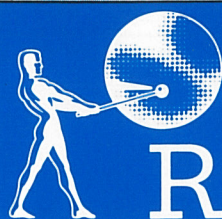
Both Batten and Footlight provide multiple-source wide angle floodlighting from 2, 3 or 4 alternating colour circuits. Today this beam quality is normally only used to light a scenic background at close range or, in large theatres, to provide relatively low intensity colour toning of the acting area. Each standard 1.8m (6-ft.) nominal length contains eight 150 watt compartments with individual colour frames at 230mm centres. Compartments are internally wired on either 3 or 4 alternating circuits with terminals at each end of the wiring trough to enable standard lengths to be mounted, and interconnected, end to end to make up the total length required.

Batten has symmetrical reflectors and is supplied with adjustable tilt hangers for suspension.

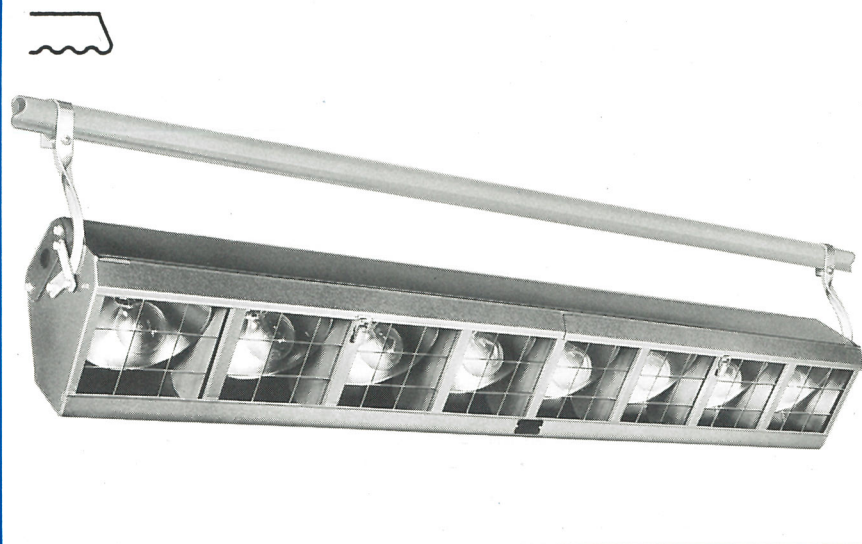
Footlight has offset reflectors to ensure minimum projection of the equipment above stage level. A pair of adjustable tilt floor brackets, and set of four castors, are available to fit to Footlight section when used as Groundrow free-standing near the base of a cyclorama or similar background.

## Order Codes

S/63	1.8m (6-ft) Batten, 3-circuit	20 280 03
S/64	1.8m (6-ft) Batten, 4-circuit	20 290 00
S/34	0.9m (3-ft) Batten, 4-circuit	20 300 0T
S/63/F	1.8m (6-ft) Footlight, 3-circuit	20 281 09
S/64/F	1.8m (6-ft) Footlight, 4-circuit	20 291 06
S/34/F	0.9m (3-ft) Footlight, 4-circuit	20 301 05
150W 240V G.L.S. Clear, E.27 (ES) base		34 101 04
8 required for each 1.8m (6-ft) length		

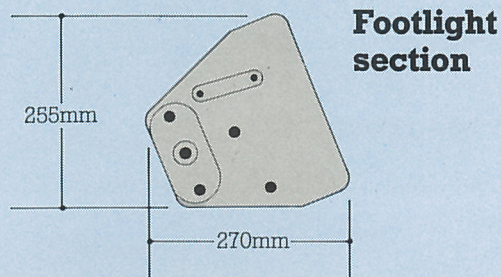
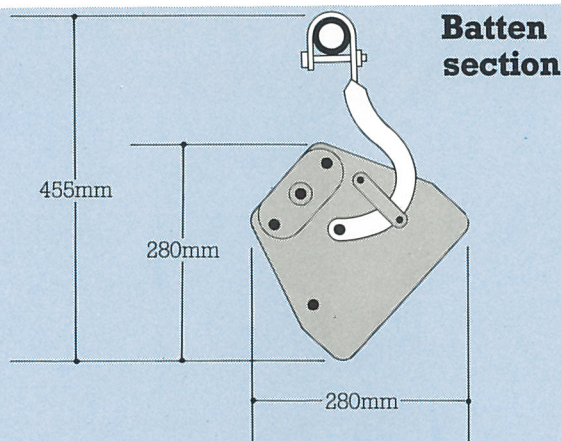


# Rank Strand



## Dimensions

Scale 1:10

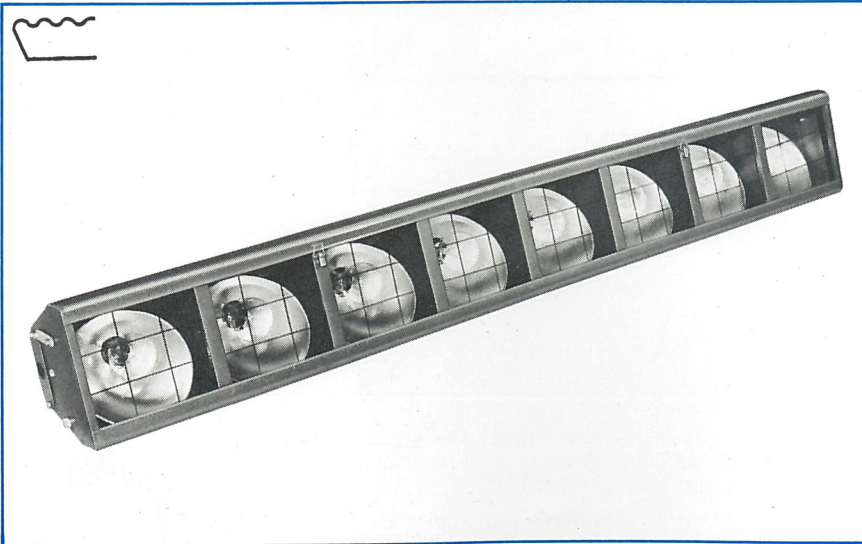


## Weight

14.5kg

Carton size 1880 x 265 x 265mm

Packed weight 17kg.





# Rank Strand

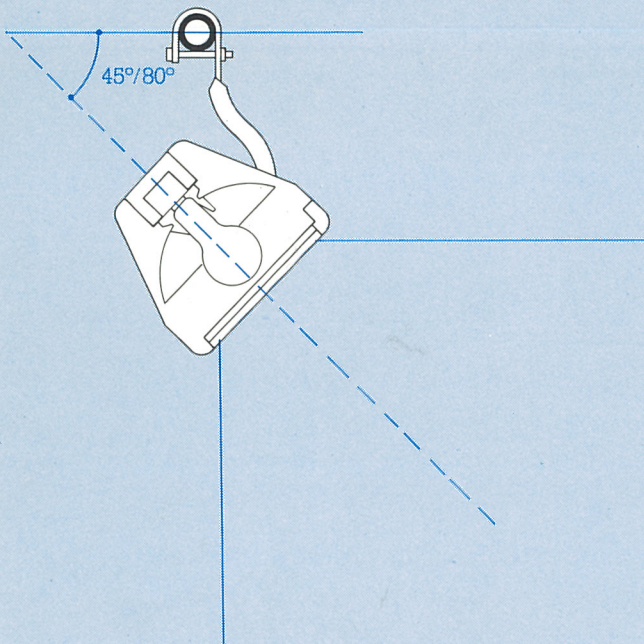
## S/63, S/63F, S/64, S/64F

### Beam Spread

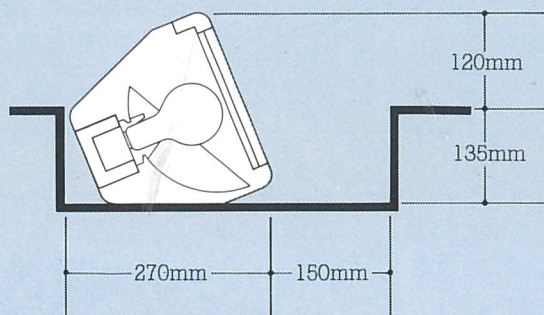
Each compartment:  
 $\frac{1}{10}$  peak angle  $105^\circ$   
 $\frac{1}{2}$  peak angle  $90^\circ$

Further diffusion can be obtained by the addition of a 'Cinemoid' frost to each compartment.

The tilt adjustment provided by Batten suspension brackets allows the optical axis to be varied from  $45^\circ$  to  $80^\circ$  below horizontal.



Minimum dimensions for Footlight trough.



The Company reserves the right to make any variation in design or construction to the equipment described.

### Specification

#### Lamphouse

Pressed steel channel, end sections and compartment divisions at 230mm centres.

#### Suspension

Batten only supplied with pair of mild steel brackets to fix to 48mm external diameter pipe, with tilt clamping plates.

#### Lampholders

E.27 (ES), porcelain body, to each compartment.

#### Reflectors

21.5mm diameter, etched and anodised aluminium mounted on spring steel spider to each compartment.

Central aperture for Batten, offset aperture for Footlight.

#### Colour Frames

Internal runners fitted with top-hinged lid with toggle fastener; one set of 235 x 205mm metal colour frames for 'Cinemoid' supplied.

#### Wiring

Internally wired sequentially on 3 (S/63) or 4 (S/64) circuits to terminal blocks at both ends of rear wiring trough. Sequence maintained by interconnecting like-numbered terminals of two adjacent lengths of the same type.

#### Finish

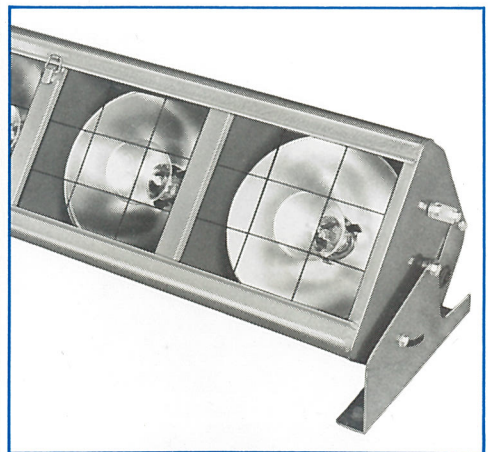
High temperature stoved, powder-coated black.

#### Lamps

150W E.27 (ES) base, G.L.S. Clear  
 8 required for each 1.8m (6-ft) length.

#### Accessories

Cable grip for multicore cable up to 20mm ext dia.	23 519 04
Additional 235 x 205mm colour frame	27 240 09
Pair of floor brackets for adjustable tilt groundrow	23 620 07
Set of four castors for floor brackets	23 621 02



Rank Strand  
 PO Box 51, Great West Road  
 Brentford, Middlesex TW8 9HR, United Kingdom  
 Telephone 01-568 9222. Telex 27976.