

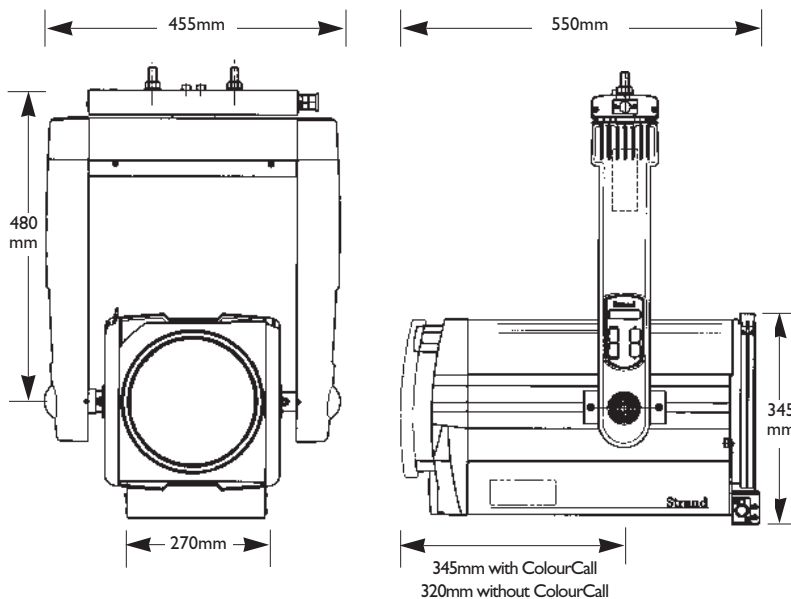
# Strand Lighting

## PRODUCT DATA

# PIROUETTE

## Automated Spotlight

### 2000W



### High Flexibility

- Familiar Theater Lighting qualities; precision remote control: all at an affordable price
- Supplied with interchangeable Fresnel lens
- Excellent range. Over 360° Pan. Tilt from 30° above horizontal to 5° beyond vertically down. Beam angles of 4° to 58°
- Move speed can be selected for either fast moves or slow, virtually silent changes.
- Compatible with either 8 bit or 16 bit DMX and with PALS MRL protocols
- Compatible with Strand ColourCall and any DMX color scroller

### High Precision

- 16 bit microprocessor control gives up to 0.3° positional accuracy and 1° repeatability of recorded position

### Intelligent Yoke

- A wide ranging set-up options accessible through yoke key pad and display
- Data logging function gives error information for ease of servicing

### High Reliability

- Surface mount circuit technology ensures reliability of electronics
- Modular electronics for ease of servicing
- Power/data distribution boxes incorporate opto isolation as well as buffering of control signals
- All functions tested to high duty cycle.

### Ease of Installation

- Lighter than previous fixtures
- No loose power, data or safety cables to be snagged
- Easy to rig Power/Data distribution boxes for up to 4 Pirouettes and scrollers

### Safety

- Luminaire movement automatically stops when encountering any obstruction
- No safety cable required. Secondary suspension integrated in yoke construction

### Pirouette PC

An automated PC or Fresnel spotlight with precision positioning and recall of recorded pan tilt and focus settings. Pirouette is controllable from 8bit or 16bit DMX or PALS MRL protocol through 4 way data/power distribution boxes. Optional ColourCall or other DMX color scroller can be fitted with control data and 24V power taken from 5 pin socket provided.

Each Pirouette comes fitted with 200mm PC lens and 1.5m of 2.5mm<sup>2</sup> power cable to bare ends and is supplied with optional 200mm fresnel lens and 1200W lamp adaptor.

Cat No	Description
17503	Pirouette Automated Spotlight
17550	Power/Data Distribution Box

### Pirouette Accessories

Cat No	Description
55001	ColourCall scroller CCI
55103	Data /Power Cable - 15'
55110	Data /Power Cable - 30'
55127	Data /Power Cable - 12"
55126	Scroller Adaptor Cable - 5 pin to 4 pin
17551	Programming and Diagnostics Cable PC to Pirouette
95090	DMX Control Cable - 25'
95091	DMX Control Cable - 50'
95092	DMX Control Cable - 100'

### Pirouette Lamps

Description
CP92 2000W lamp 120v
CP92 2000W lamp 230v
CP92 2000W lamp 240v

### Performance Guide

#### Foot Candles based on CYX 2000W lamp

Throw in feet	5	10	15	20	25
Pirouette PC Spot	-	-	2500	1400	900
Pirouette PC Flood	1150	290	128	-	-
Pirouette F Spot	-	-	1610	910	580
Pirouette F Flood	1370	342	152	-	-

#### Beam diameter in feet

Throw in feet	5	10	15	20	25
Pirouette PC Spot	.4	.8	1.2	1.6	2.0
Pirouette PC Flood	5.7	11.4	17.1	22.8	28.5
Pirouette F Spot	.64	1.3	1.9	2.6	3.2
Pirouette F Flood	6.2	12.4	18.6	24.8	31.0

## Optical/Photometric Data

### Optical System

Lampholder and hemispherical reflector assembly is designed to ensure lamp filament is placed at the focal point of the reflector and the whole assembly is adjustable relative to PC lens or optional Fresnel lens.

### Lens

8"Ø molded plano convex borosilicate glass lens with rear break up texture and mounted behind 1" safety mesh. 8"Ø molded fresnel borosilicate lens also supplied.

### Reflector

6"Ø hemispherical reflector of electro-polished and anodised high reflectivity aluminum

### Photometrics

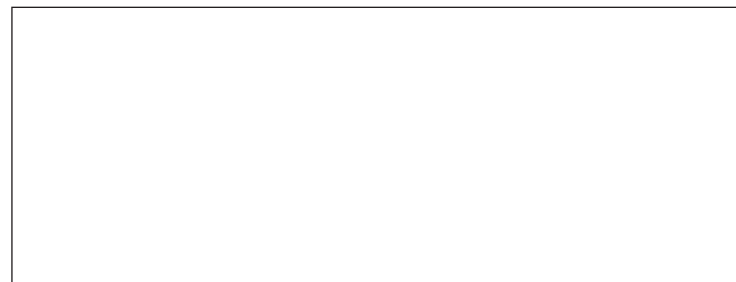
	1/2 Pk Angle	1/10 Pk Angle	Pk candelas
Pirouette PC 2000			
Spot	4.7°	7.8°	561903
Flood	59°	64°	28858
Pirouette F 2000			
Spot	7.4°	13.8°	362672
Flood	64°	73°	34239

## Environmental Data

<b>Max operating ambient temp</b>	50°F
<b>Max surface temp</b>	550°F
<b>IP Rating</b>	IP20

## Mechanical Data

<b>Lamphouse construction</b>	Pressure diecast aluminum with extruded tie bars and formed lightweight aluminum covers
<b>Paint/Finish</b>	High temperature stoved epoxy powder coat in black and dark gray
<b>Yoke construction</b>	1/4" x 3" bar with vacuum formed ABS covers.
<b>Yoke support beam</b>	Extruded aluminum channel section with formed sheet cover
<b>Secondary suspension</b>	European safety requirements demand a secondary suspension system should the primary suspension fail. This is normally by means of a safety chain but is provided integrally by Pirouette's unique yoke support beam design
<b>Motion mechanics</b>	24v servo motors mated to precision reduction gearboxes with mechanical clutch between tilt gearbox and motor and with user selectable software clutches on all movements.



# Strand Lighting

**Los Angeles:** Strand Lighting Inc, 18111 South Santa Fe Avenue,  
PO Box 9004, Rancho Dominguez, CA 90221 USA.  
Tel: (310) 637 7500 Fax: (310) 632 5519  
Toll Free Tel: 800 733 0564 Toll Free Fax: 800 775 LEKO (5356)

**Toronto:** Strand Lighting Ltd, 2430 Lucknow Drive No 15,  
Mississauga, Ontario, Canada. L5S 1V3.  
Tel: (905) 677 7130 Fax: (905) 677 6859

**Hong Kong:** Strand Lighting Asia Limited, 7/F Corporation Square,  
8 Lam Lok Street, Kowloon Bay, Kowloon, Hong Kong.  
Tel: 852 2757 3033 Fax: 852 2757 1767

**London:** Strand Lighting Ltd, Grant Way, Isleworth, Middlesex,  
TW7 5QD, United Kingdom.  
Tel: +44 (0)181 560 3171 Fax: +44 (0)181 568 2103

ALSO

FACILITIES IN: **NEWYORK • ROME • WOLFENBÜTTEL • STOCKHOLM • BRUSSELS**

For more information on Strand products and World Wide facilities see our Web page

<http://www.strandlight.com>

## Lamp Data

<b>Watts</b>	2000W
<b>Designation</b>	CP92
<b>Base</b>	G22
<b>Lumens</b>	52000
<b>Rated life-hours</b>	400
<b>Color temperature</b>	3200K

## Electrical Data

<b>Luminaire</b>	
<b>Supply Voltage</b>	120v 50/60Hz
<b>Max Lamp Watts</b>	2000W
<b>Cable/connections</b>	1.5m of 3 x 2.5mm <sup>2</sup> silicone cable with bare ends

### Yoke

<b>Supply Voltage</b>	24vDC
<b>Control Protocol</b>	8 bit DMX, 16 bit DMX or PALS MRL user selectable
<b>Data Connections</b>	5 pin female XLR connector mounted on yoke support beam
<b>Scroller connection</b>	5 pin male XLR connector mounted below color runner assembly

### Power/Data Buffer Box

<b>Supply Voltage</b>	100/250v 50/60 Hz via IEC 320 recessed male connector	
<b>Fuse Rating</b>	5A	
<b>Output Voltage</b>	4 x 24vDC	
<b>Fuse rating</b>	4 x 3.15A	
<b>Signal Connections</b>	DMX/MRL in	5 pin male XLR
	DMX/MRL out	5 pin female XLR
	Switch for end of line termination	
	Data/Power out	4 x 5pin female XLR

<b>LED Indicators</b>	4 x data OK
	4 x 24V OK
	DMX terminated
<b>Isolation</b>	Buffered DMX/MRL signals are opto isolated for extra reliability

## Operational Data

### Motion Control Data

	Range	Accuracy	Resolution
Pan	395°	0.3°	1°
Tilt	+30° to -95°	0.3°	1°
Focus	4° to 58°	1%	2.5%

### Yoke Controls

The 'menu' select and 'up/down' buttons along with a four character LED display enable a number of set up functions to be selected and then entered by the 'entry' button. The same controls also give access to the error log for servicing.

### Set up options:

Select 8bit DMX, 16bit DMX or MRL  
Set DMX or MRL address  
Select Velocity channel  
Select MRL Baud rate  
Select software stops on Pan Tilt and Focus  
Select presets for display routine without separate console

### Lamp Access

Operation of rear catch releases drop down lower cover to give access to reflector and slide down lamp holder assembly. Power is automatically disconnected on European 230v model.

### Installation

Pirouette requires two suitable hook or C-clamps to suspend from and hold rigid from a suitable lighting bar.

The Company reserves the right to make any variation in design or construction to the equipment described. Strand™, Strand Lighting™, Pirouette, ColourCall and PALS are trade marks of the Strand Lighting Limited and Strand Lighting Inc Group of Companies.

© Copyright Strand Lighting Limited January 1997