

Strand Lighting

P R O D U C T D A T A

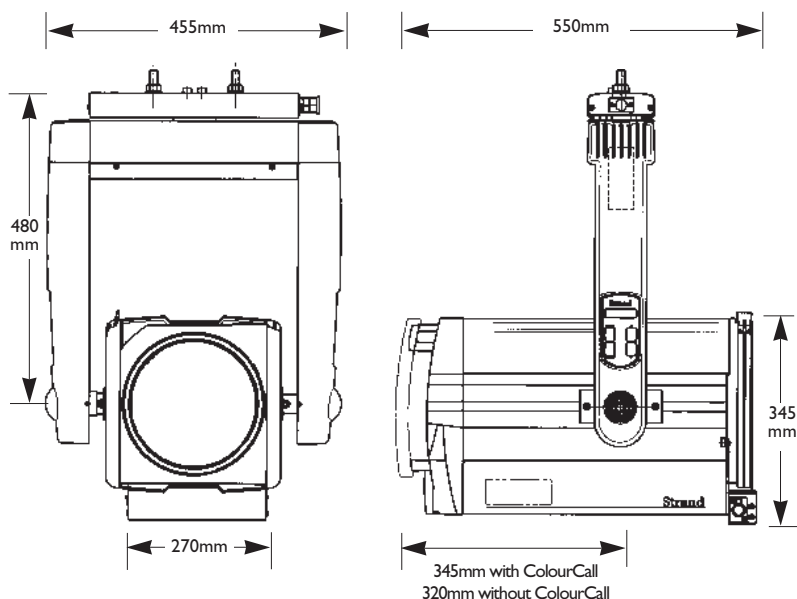
5.1.2

AUTOMATED LIGHTING

PIROUETTE

Automated Spotlight

2500W/2000W/200W



Pirouette PC

An automated PC or Fresnel spotlight with precision positioning and recall of recorded pan tilt and focus settings. Pirouette is controllable from 8bit or 16bit DMX or PALS MRL protocol through 4 way data/power distribution boxes. Optional ColourCall or other DMX colour scroller can be fitted with control data and 24V power taken from 5 pin socket provided.

Each Pirouette comes fitted with 200mm PC lens and 1.5m of 2.5mm² power cable to bare ends and is supplied with optional 200mm fresnel lens and 1200W lamp adaptor.

Cat No	Description
17502	Pirouette Automated Spotlight
17550	Power/Data Distribution Box

Pirouette Accessories

Cat No	Description
55001	ColourCall scroller CC1
55103	Data /Power Cable - 3m
55105	Data /Power Cable - 5m
55127	Data /Power Cable - 450mm Pirouette to ColourCall
55126	Scroller Adaptor Cable - 5 pin to 4 pin
17551	Programming and Diagnostics Cable PC to Pirouette
66081	DMX Control Cable - 10m
66082	DMX Control Cable - 25m

Pirouette Lamps

Cat No	Description
43913	CP91 2500W lamp 230v
43914	CP91 2500W lamp 240v
43923	CP92 2000W lamp 230v
43924	CP92 2000W lamp 240v
43933	CP93 1200W lamp 230v
43934	CP93 1200W lamp 240v

Performance Guide

Lux levels based on CP91 2500W lamp

Throw in metres	5	10	15	20	25
Pirouette PC Spot	-	-	2500	1400	900
Pirouette PC Flood	-	1150	290	128	-
Pirouette F Spot	-	-	1610	910	580
Pirouette F Flood	-	1370	342	152	-

Beam diameter in metres

Throw in metres	5	10	15	20	25
Pirouette PC Spot	.4	.8	1.2	1.6	2.0
Pirouette PC Flood	5.7	11.4	17.1	22.8	28.5
Pirouette F Spot	.64	1.3	1.9	2.6	3.2
Pirouette F Flood	6.2	12.4	18.6	24.8	31.0

High Flexibility

- Familiar Theatre Lighting qualities; precision remote control: all at an affordable price
- Supplied with optional Fresnel lens and 1200W lamp adaptor
- Excellent range. Over 360° Pan. Tilt from 30° above horizontal to 5° beyond vertically down. Beam angles of 4° to 58°
- Move speed can be selected for either fast moves or slow, virtually silent changes.
- Compatible with either 8 bit or 16 bit DMX and with PALS MRL protocols
- Compatible with Strand ColourCall and any DMX colour scroller

High Precision

- 16 bit microprocessor control gives up to 0.3° positional accuracy and 1° repeatability of recorded position

Intelligent Yoke

- A wide ranging set-up options accessible through yoke key pad and display
- Data logging function gives error information for ease of servicing

High Reliability

- Surface mount circuit technology ensures reliability of electronics
- Modular electronics for ease of servicing
- Power/data distribution boxes incorporate opto isolation as well as buffering of control signals
- All functions tested to high duty cycle.

Ease of Installation

- Lighter than previous fixtures
- No loose power, data or safety cables to be snagged
- Easy to rig Power/Data distribution boxes for up to 4 Pirouettes and scrollers

Safety

- Luminaire movement automatically stops when encountering any obstruction
- No safety cable required. Secondary suspension integrated in yoke construction
- CE marked as meeting the EU Electrical Safety and EMC Directives

Optical/Photometric Data

Optical System

Lampholder and hemispherical reflector assembly is designed to ensure lamp filament is placed at the focal point of the reflector and the whole assembly is adjustable relative to PC lens or optional Fresnel lens.

Lens

200mmØ moulded plano convex borosilicate glass lens with rear break up texture and mounted behind 25mm safety mesh. 200mmØ moulded fresnel borosilicate lens also supplied.

Reflector

160mmØ hemispherical reflector of electro-polished and anodised high reflectivity aluminium

Photometrics

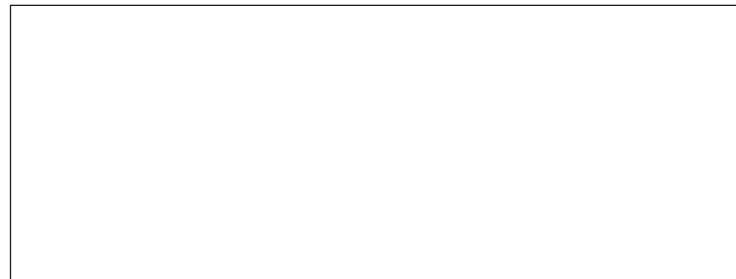
	1/2 Pk Angle	1/10 Pk Angle	Pk candelas
Pirouette PC 2500			
Spot	4.7°	7.8°	561903
Flood	59°	64°	28858
Pirouette F 2500			
Spot	7.4°	13.8°	362672
Flood	64°	73°	34239

Environmental Data

Max operating ambient temp	35°C
Max surface temp	290°C
IP Rating	IP20

Mechanical Data

Lamphouse construction	Pressure diecast aluminium with extruded tie bars and formed lightweight aluminium covers
Paint/Finish	High temperature stoved epoxy powder coat in black and dark grey
Yoke construction	6mm x 75mm bar with vacuum formed ABS covers.
Yoke support beam	Extruded aluminium channel section with formed sheet cover
Secondary suspension	European safety requirements demand a secondary suspension system should the primary suspension fail. This is normally by means of a safety chain but is provided integrally by Pirouette's unique yoke support beam design
Motion mechanics	24v servo motors mated to precision reduction gearboxes with mechanical clutch between tilt gearbox and motor and with user selectable software clutches on all movements.



Strand Lighting

London:	Strand Lighting Ltd, Grant Way, Isleworth, Middlesex, TW7 5QD, United Kingdom. Tel: +44 (0)181 560 3171 Fax: +44 (0)181 568 2103
Wolfenbüttel:	Strand Lighting GmbH, Salzbergerstrasse 2, 38302 Wolfenbüttel-Salzdahlum, Germany Tel: +49 5331 30080 Fax: +49 5331 78883
Rome:	Strand Lighting Italia Srl, Via delle Gardenie 33, 00040 Pomezia, Roma, Italy Tel: +39 (0)6 914 7123 Fax: +39 (0)6 914 7136
Brussels:	Strand Lighting Ltd, Chaussée de Haecht 1801, 1130 Bruxelles, Belgium Tel: +32 (0)2 245 8686 Fax: +32 (0)2 245 2235
Stockholm:	Strand Lighting Ltd, Box 20105, Tappvågen 24, 161 02 Bromma, Stockholm, Sweden Tel: +46 (0)8 799 6950 Fax: +46 (0)8 799 6954
Hong Kong:	Strand Lighting Asia Limited, 7/F Corporation Square, 8 Lam Lok Street, Kowloon Bay, Kowloon, Hong Kong Tel: +852 2757 3033 Fax: +852 2757 1767

ALSO FACILITIES IN: LOS ANGELES • NEWYORK • TORONTO

For more information on Strand products and World Wide facilities see our Web page

<http://www.strandlight.com>

Lamp Data

Watts	2500W	2000W	1200W
Designation	CP91	CP92	CP93
Base	G22	G22	G22
Lumens	67500	52000	
Rated life-hours	400	400	
Colour temperature	3200K	3200K	3200K
Cat. No. 230V	43913	43923	43933
Cat. No. 240V	43914	43924	43934

Electrical Data

Luminaire	
Supply Voltage	220/240v 50/60Hz
Max Lamp Watts	2500W
Cable/connections	1.5m of 3 x 2.5mm ² silicone cable with bare ends

Yoke

Supply Voltage	24v DC
Control Protocol	8 bit DMX, 16 bit DMX or PALS MRL user selectable
Data Connections	5 pin female XLR connector mounted on yoke support beam
Scroller connection	5 pin male XLR connector mounted below colour runner assembly

Power/Data Buffer Box

Supply Voltage	100/250v 50/60 Hz via IEC 320 recessed male connector
Fuse Rating	5A
Output Voltage	4 x 24vDC
Fuse rating	4 x 3.15A
Signal Connections	DMX/MRL in 5 pin male XLR DMX/MRL out 5 pin female XLR Switch for end of line termination Data/Power out 4 x 5pin female XLR

LED Indicators	4 x data OK 4 x 24V OK DMX terminated
Isolation	Buffered DMX/MRL signals are opto isolated for extra reliability

Operational Data

Motion Control Data	Range	Accuracy	Resolution
Pan	395°	0.3°	1°
Tilt	+30° to -95°	0.3°	1°
Focus	4° to 58°	1%	2.5%

Yoke Controls	The 'menu' select and 'up/down' buttons along with a four character LED display enable a number of set up functions to be selected and then entered by the 'entry' button. The same controls also give access to the error log for servicing.
----------------------	---

Set up options:	Select 8 bit DMX, 16 bit DMX or MRL Set DMX or MRL address Select Velocity channel Select MRL Baud rate Select software stops on Pan Tilt and Focus Select presets for display routine without separate console
------------------------	--

Lamp Access	Operation of rear catch releases drop down lower cover to give access to reflector and slide down lamp holder assembly. Power is automatically disconnected on European 230v model.
--------------------	---

Installation	Pirouette requires two suitable hook or C-clamps to suspend from and hold rigid from a suitable lighting bar.
---------------------	---

The Company reserves the right to make any variation in design or construction to the equipment described. Strand™, Strand Lighting™, Pirouette, ColourCall and PALS are trade marks of the Strand Lighting Limited and Strand Lighting Inc Group of Companies.
© Copyright Strand Lighting Limited January 1997