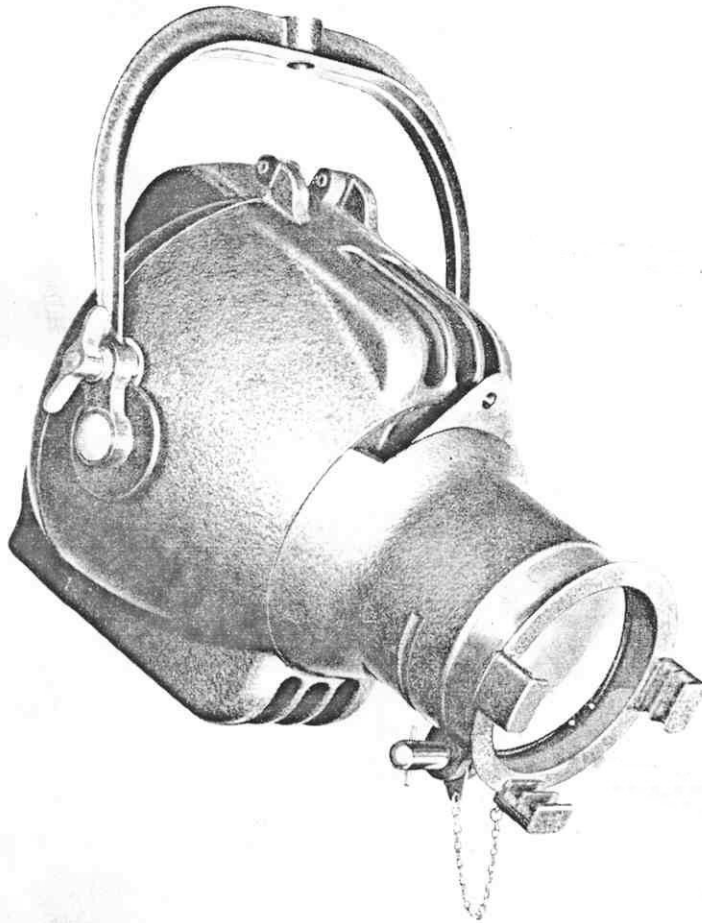




# PROFILE SPOTS



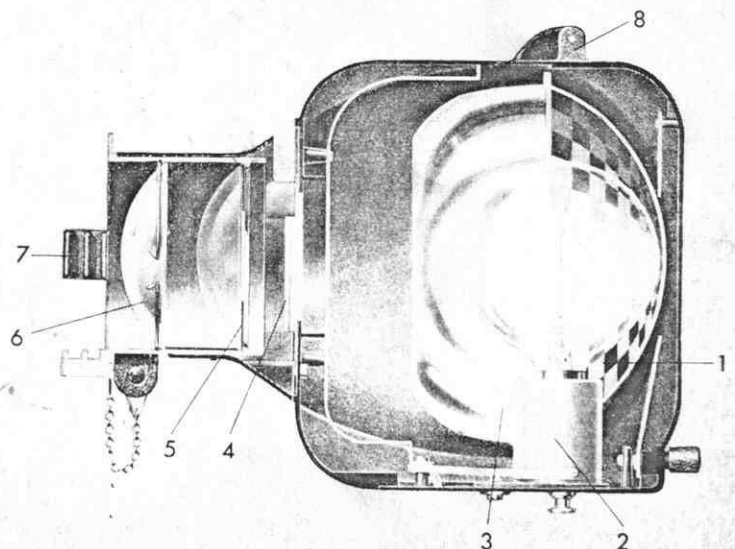
## Patt 23, 23F, 23W, 250/500 Watt

These compact spotlights project a clear cut even beam of any profile determined by a cut-out mask in the gate runners. Four masks of different, but fixed apertures are provided; optional beam-shaping accessories are an adjustable straight-edge mask or an iris diaphragm.

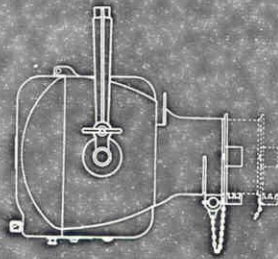
Different lens combinations are available so that the most efficient use can be made of the light collected at the gate by the front annular and rear ellipsoidal reflectors. The Fresnel lens model, Patt 23F, provides a diffused edge to the beam.

These models are recommended for applications where precise control of beam shape and spread is required in display, exhibition and feature lighting. For stage and studio lighting, where more frequent change of beam shape is necessary, the models with externally operated beam-shaping shutters, will be found more convenient.

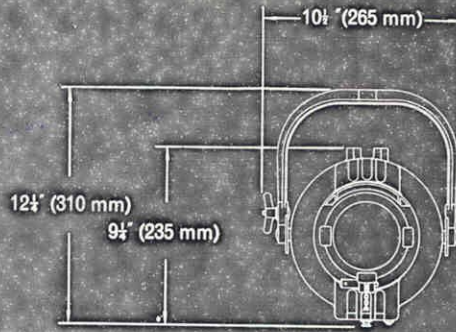
1. 7-in. diameter faceted ellipsoidal reflector
2. Medium prefocus lampholder
3. 7-in. diameter annular reflector
4. Gate runners for beam-shaping mask or optional addition of an iris or purpose-made mask
5. Fixed aperture diaphragm to intercept stray light; also position for second  $3\frac{1}{2} \times 5$ -in. lens for Patt 23W
6.  $3\frac{1}{2} \times 5$ -in. lens for Patt 23, or  $3\frac{1}{2} \times 4$ -in. Fresnel lens for Patt 23F, in sliding lens tube provided with safety chain
7. Double colour frame runners
8. Hinged rear door for interior access



12" (305 mm) min.  
14" (355 mm) max.



SCALE 1:10



WEIGHT  
Patt 23 6 1/2 lb. (2.8 kilos)

## LAMPS & PERFORMANCE DATA

	THROW DISTANCE		BEAM SPREAD		ILLUMINATION							
					500W 120V 500T20/48 or Philips 559C		500W 240V Class T/1 or Philips 559C		250W 120V 250T20/47 or Philips 558C		250W 240V Class T/3 or Philips 558C	
	feet	metres	feet	metres	f.c.	lux	f.c.	lux	f.c.	lux	f.c.	lux
Pattern 23 BEAM ANGLE 20° in which intensity varies 2:1	25	9	8	3	47	360	30	230	20	155	21	160
	30	10	10	3.5	32	290	21	165	14	105	15	130
	35	10	12	3.5	24	185	15	115	10	75	11	85
Pattern 23F BEAM ANGLE 30° in which intensity varies 2:1	20	7	10	3.5	49	395	38	305	19	145	19	150
	25	9	13	4.5	31	240	24	185	12	90	12	95
	30	9	15	4.5	24	185	18	140	10	75	11	85
Pattern 23W BEAM ANGLE 36° in which intensity varies 2:1	15	5	10	3	52	410	47	370	28	215	33	260
	20	7	13	4.5	29	225	27	210	16	125	19	150
	25	7	15	4.5	24	185	22	170	14	105	17	135

## SPECIFICATION

The spotlight shall be constructed of aluminium alloy pressure die-castings with baffled ventilation slots and shall contain a prefocus lampholder, a faceted ellipsoidal reflector, an annular reflector, gate runners with four different aperture masks, and an adjustable lens. The medium prefocus (P.28) porcelain lampholder for a 250 or 500-watt projection lamp shall be fitted with 30-in. (0.75m) external length of heat-resisting cable (with earth/ground conductor) which shall be provided with a strain-relief gland. The 7-in. (180mm) diameter faceted ellipsoidal rear reflector and annular spherical reflector shall both be of polished anodised aluminium. The rear of the housing, together with the rear reflector, shall hinge upwards to provide interior access but shall normally be secured by a captive thumbscrew. Gate runners shall be provided and four fixed aperture masks supplied. Optional additions to fit the gate runners are to be an adjustable four-sided mask or an iris diaphragm. The lens shall be recessed within a die-cast tube which shall be fitted with a fixed aperture diaphragm. The sliding lens tube shall be locked by a tommy-bar thumbscrew and shall be provided with a safety chain. Double die-cast colour frame runners shall be provided and one 4x4-in. (100x100mm) metal colour frame supplied.

The lens fitted shall be as follows:

- Patt 23 - one 3 1/2 x 5-in. (90 x 125mm) plano convex.
- Patt 23F - one 3 1/2 x 4-in. (90 x 100mm) Fresnel.
- Patt 23W - two 3 1/2 x 5-in. (90 x 125mm) plano convex.

The spotlight shall be mounted in a reversible malleable die-cast fork with friction disc tilt clamp and 3/8-in. bolt and wing nut for suspension.

The exterior and fork shall be smooth finished with epoxy resin hard hammer grey and the interior, excepting reflectors, flat black.

### VARIATIONS available at time of manufacture

- Heat-resisting rear handle (add suffix -/H).
- 6-ft (1.8m) heat-resisting flexible cable.
- Tilt and swivel scale indication.

For models with built-in masking shutters see separate leaflet.

### ACCESSORIES

- Ref. 363. 12-leaf iris diaphragm.
- Ref. 364. Adjustable straight-edge mask.
- Ref. 374. Diffuser glass in frame for Patt 23. 23W.