

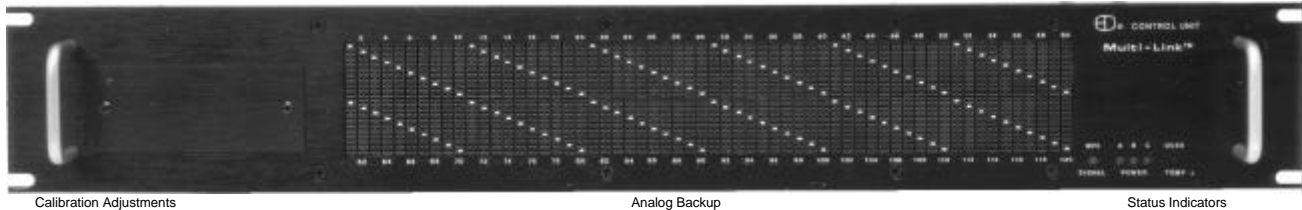


Performance Controls

Mark VII Analog Backup

Features

- 24" rack mount
- Simple user assignable controls
- Available in 60 or 120 channel capacities
- Signal light indicates data signal in process
- Overtemp signal light
- Power phase indicator lights
- Supports USITT DMX-512 Digital, AMX 192, RS422, fiber-optic or 0 - +10 VDC Analog inputs
- Simultaneous processing of digital and analog signals



Description

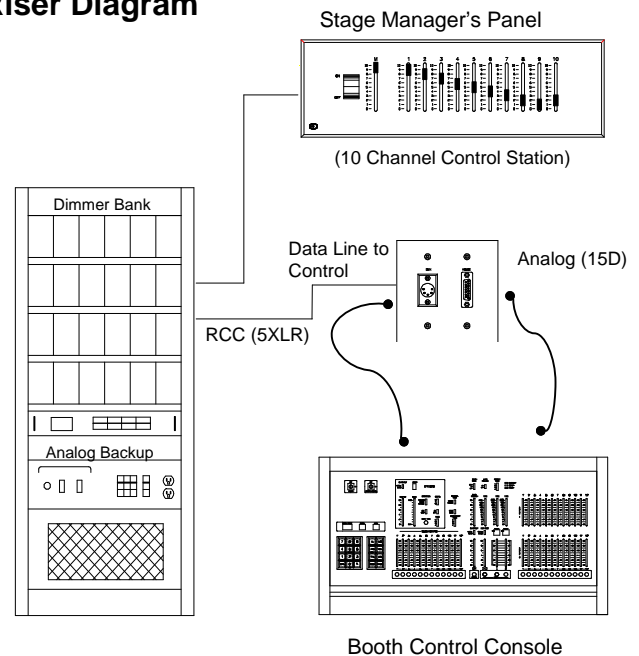
Analog Backup provides easy access and control of user assignable groups of lights or dimmers. This allows easy access to presets by general users without requiring a complete working knowledge of the control console.

Analog Backup offers a simple 10-channel control matrix. A single dimmer or group of dimmers can be assigned to a control channel by means of a wire pin matrix patch. Commonly controlled dimmer groups can be assigned to ten slide potentiometers with a master and On/Off control located at the Stage Manager's panel.

Specifications

1. The plug-in control module shall be a self-contained unit which will slide into the front of the dimmer bank.
2. The control module shall properly receive USITT DMX-512 digital multiplex, AMX-192 analog multiplex, or RS422 digital multiplex, fiber optic or 0-10 Volt analog signals. Digital signals shall terminate in 5-pin XLR-type connectors. Fiber optic transmissions shall terminate in an optical coupler. Analog controls shall terminate in a 25-pin D-style connector. The multiplex format may be changed by a single front-panel mounted switch.
3. A yellow indicator shall illuminate upon receipt of a valid digital signal. A momentary interruption of a digital signal shall not affect dimmer output.
4. The dimming system shall be able to operate simultaneously on a multiplex signal and analog 0-10 volt signal. The analog signal shall activate the backup matrix patch of independently assigned dimmers to the selected intensities set by the controller. Should the DMX signal ports fail, the analog backup shall operate as a stand-alone controller. The analog backup shall have the capacity for multiple input on a highest-takes-precedence basis. Systems electronics without this capacity shall not be considered equal.
5. The module shall illuminate a pilot light for each power phase during operation. Input power to the control module shall be breakered and fused.
6. All dimmer control electronics shall be contained on a double-sided, through-hole plated fiberglass circuit board.
7. The control module shall be a labeled, recognized component of Underwriters Laboratory.
8. The unit shall be the Multi-Link series as manufactured by Electronics Diversified, Inc., Hillsboro, Oregon 97214.

Riser Diagram



Job Number:

Customer:

Approval Stamp:

Job Name:

P.O.:

Specifications subject to change without notice. Specification applicable to standard products only. ©1998 Electronics Diversified, Inc. All rights reserved. Printed in USA. 0703

Electronics Diversified, Inc.

PRODUCT DATA SHEET

1675 N.W. Cornelius Pass Road • Hillsboro, Oregon 97124 U.S.A.
 Phone: (800) 647-2690 • FAX: (503) 629-9877 • Web Site: www.edionline.com

P103