

The magnificent strand Micro8

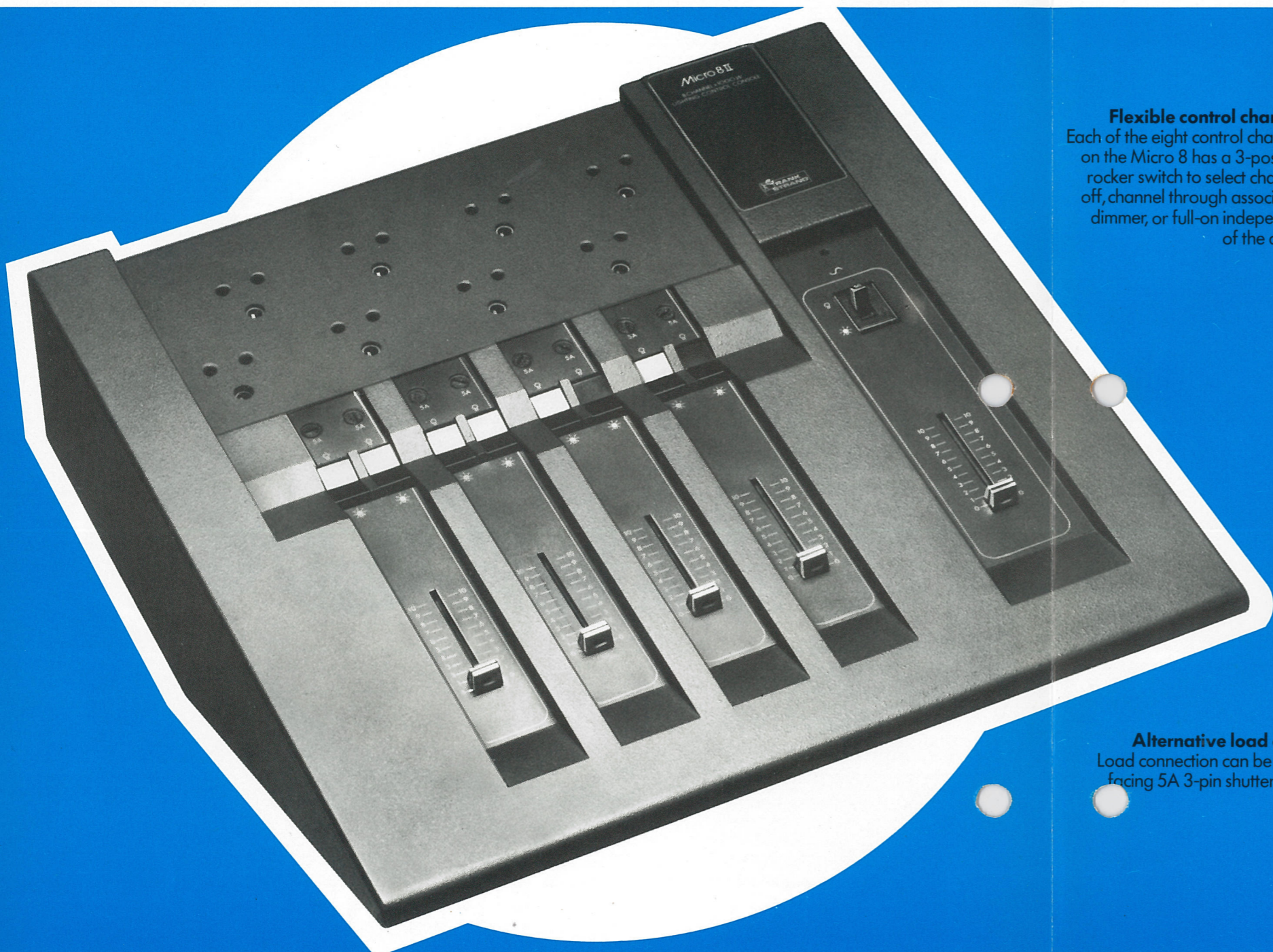
Self contained lighting control

£50 OFF

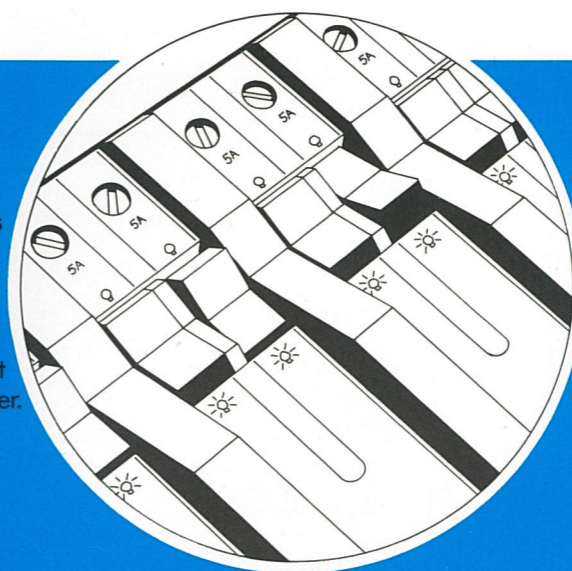
the magnificent
strand
Micro8

Only £266.25
(normal list price £316.25) plus VAT
if bought between 1 January 1980
and 31 March 1980.

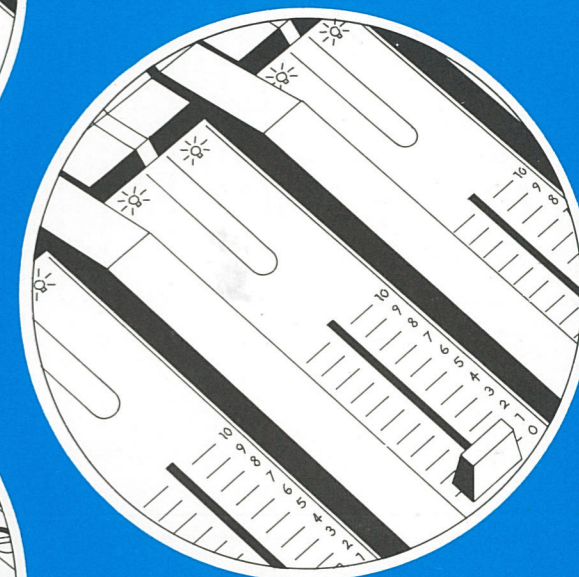
Now you can enjoy professional lighting with fingertip control.



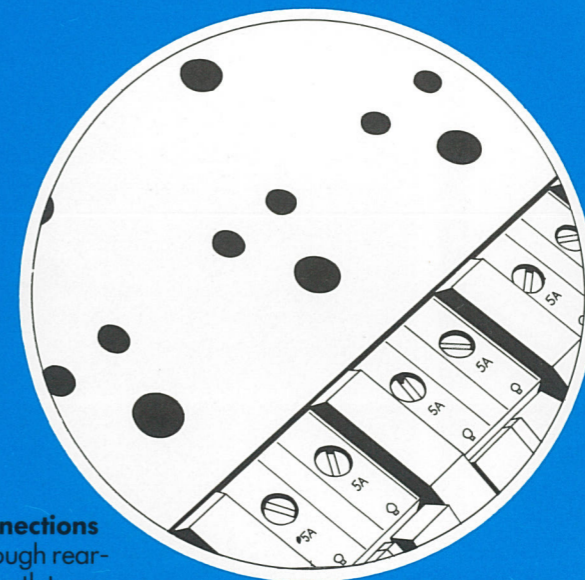
Flexible control channels
Each of the eight control channels on the Micro 8 has a 3-position rocker switch to select channel off, channel through associated dimmer, or full-on independent of the dimmer.



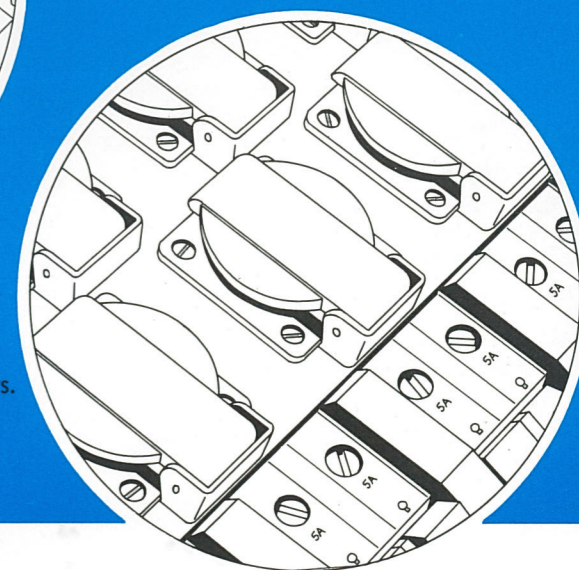
Fingertip fader levers
The four dimmers are controlled by four fader levers and a master fader, each with a clear scale.



Alternative load connections
Load connection can be through rear-facing 5A 3-pin shuttered outlets or...



...by hinged lid Schuko outlets.



Give your productions a new sophistication with the stylish table-top Rank Strand Micro 8. This sculptured console is totally self-contained and readily portable. It's not only good to look at, but the functional controls are so easy in use that you can concentrate on what matters - achieving a lighting composition that assists the impact of the performers. And you can do that with even a limited number of spotlights.

The Micro 8 is specially designed for productions in schools, for amateur groups and for hotel and club

presentations where ease of operation and safe handling make it the ideal control for the not-so-experienced but aspiring lighting designer.

It has eight individual control channels each rated to handle up to 1000 watt of 220/240v Tungsten lamp load, with four Triac solid state dimmers associated with adjacent pairs of control channels. These are regulated by fingertip operated fader levers with a master fader overriding all four.

It comes complete with all necessary filtering,

close-excess current protection and shuttered socket outlets for plug-in connection of the lamp loads.

The Micro 8 has quality and reliability to professional standards, and the good looking console need not be hidden from the audience.

Variable load dimmers

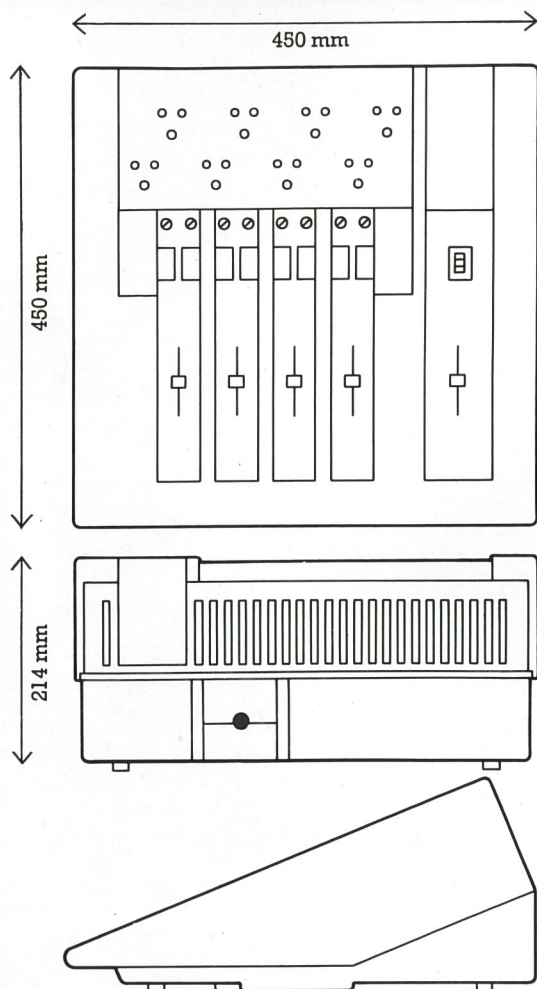
The four variable load Triac dimmers, each associated with two adjacent control channels, are fully rated for the tungsten surge current of 2x1000 watt maximum 220/240v tungsten lamp loads.

Power Input

There is a terminal compartment, with separate cover requiring handtool for access, for incoming 220/240v 50Hz single phase and neutral supply with earth continuity conductor. The cable grip accepts up to 6mm² 3-conductor flexible cable. Power-on neon indicator and 40A magnetic circuit breaker/master switch fitted.

Construction

A modern sculptured form, deep moulded from flame-retardant grade rigid polyurethane and fitted with non-slip, resilient feet. With an attractive smooth-texture dark brown finish with bright orange screen printed legends.



VARIANTS

Micro 8 II, as illustrated and described overleaf, with 5A 3-pin shuttered socket outlet for each of the 8 channels

5A 3-pin rubberclad plugtops

Micro 8 II, as above, but with continental Schuko socket for each of the 8 channels

6mm² 3 conductor flexible power cable, metre

Order Code

04 008 26

35 610 05

04 008 34

35 605 05

Rank Strand Electric, P.O. Box 51, Great West Road,
Brentford, Middlesex TW8 9HR.
Telephone 01-568 9222 Telex 27976.
A Division of Rank Audio Visual Limited.



STRAND

Rank Strand make it

Rank Strand stockists

For a demonstration of the Micro 8 contact your local stockist or Rank Strand.

● LONDON

Donmar Sales,
22 Short's Gardens,
Covent Garden,
London WC2H 9AK.
Telephone: 01-836 1801.

Rank Strand Electric,
(Rank Audio Visual Building,
Boston Manor Road entrance),
P.O. Box 51, Great West Road,
Brentford, Middlesex TW8 9HR.
Telephone: 01-568 9222.

● BIRMINGHAM

Travelling Light (Birmingham) Ltd.,
177 Rookery Road, Birmingham,
West Midlands B21 9QZ.
Telephone: 021-523 3297.

● BRISTOL

Rank Strand Electric,
84 Mina Road, St. Werburghs,
Bristol, Avon BS2 9XW.
Telephone: Bristol 557 420

● DEVON

M.M. Stage Electrics,
12 Lower North Street,
Iron Bridge, Exeter EX4 3ET.
Telephone: Exeter 70498.

● ESSEX

J.B.E. Stage Lighting
& Equipment Co.,
Union Lane, Rochford,
Essex SS4 18AP.
Telephone:
Southend on Sea 545826

● LANCASHIRE

Rank Strand Electric,
Church Lane, Lowton,
Nr. Warrington,
Lancashire WA3 2PN.
Telephone:
Ashton-in-Makerfield 73811.

● LEICESTERSHIRE

Rank Strand Electric,
81 Park Road, Coalville,
Leicestershire LE6 3AF.
Telephone: Coalville 33617

● SUNDERLAND

Northern Lighting Services,
Lane off Mowbray Rd.,
opposite The Elms West,
Sunderland,
Tyne-and-Wear SR2 8HU.
Telephone: Sunderland 59349.



● YORKSHIRE

Futurist Theatrical Hire Ltd.,
Hoyle Head Mills,
New Street, Earlsheaton,
Dewsbury, West Yorkshire.
Telephone: Dewsbury 468183.

● SCOTLAND

Northern Light,
West Mill Road, Colinton,
Edinburgh EH13 0PJ.
Telephone: 031-441 5405.

Rank Strand Electric,
15 Lynedoch Street,
Glasgow G3 6EF
Telephone: 041-332 1540

Rank Strand Electric,
Mitchelston Industrial Estate,
Mitchelston Drive,
Kirkcaldy, Fife KY1 3LY
Telephone: Kirkcaldy 52101.

● NORTHERN IRELAND

General Engineering
Products Ltd.,
1 Church View, Holywood,
Co. Down BT18 9DB
Telephone: Holywood 6511

● EIRE

Bourke Strand Electric Ltd.,
30 Upper Abbey St, Dublin 1,
Telephone: Dublin 747078.