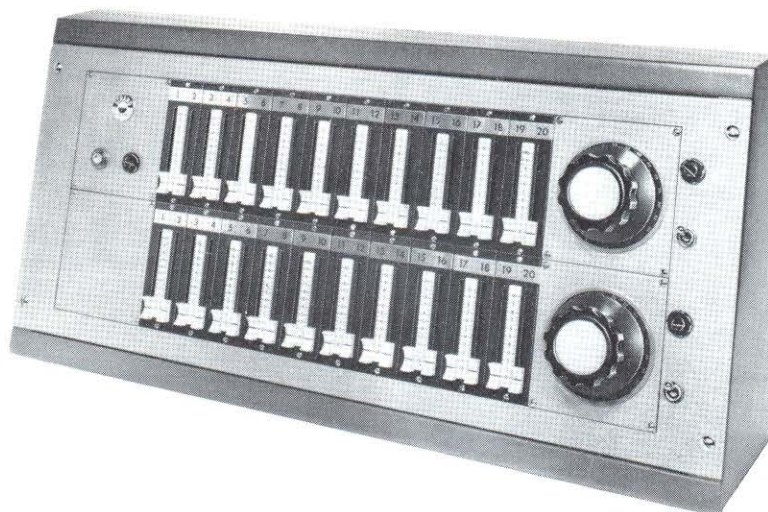




REMOTE CONTROL



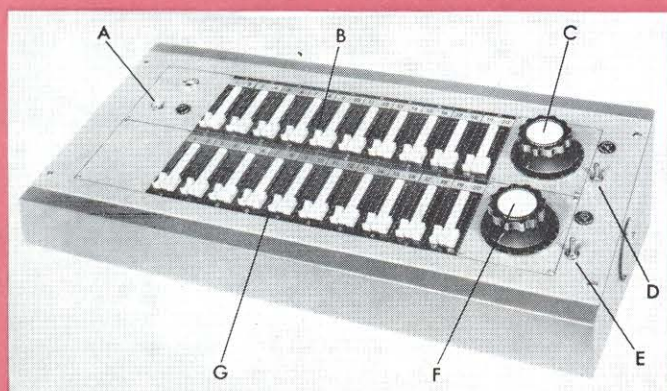
Type JP.20 2-preset Desk

This compact 2-preset control desk is for the remote control of twenty type JTM or PTM variable-load Thyristor dimmers. The angled front panel is reversible to allow a variety of mounting positions.

Fingertip control of precise intensity levels is provided by the two dimmer levers for each control channel. While one set of levers is in use the other row can be preset for the next

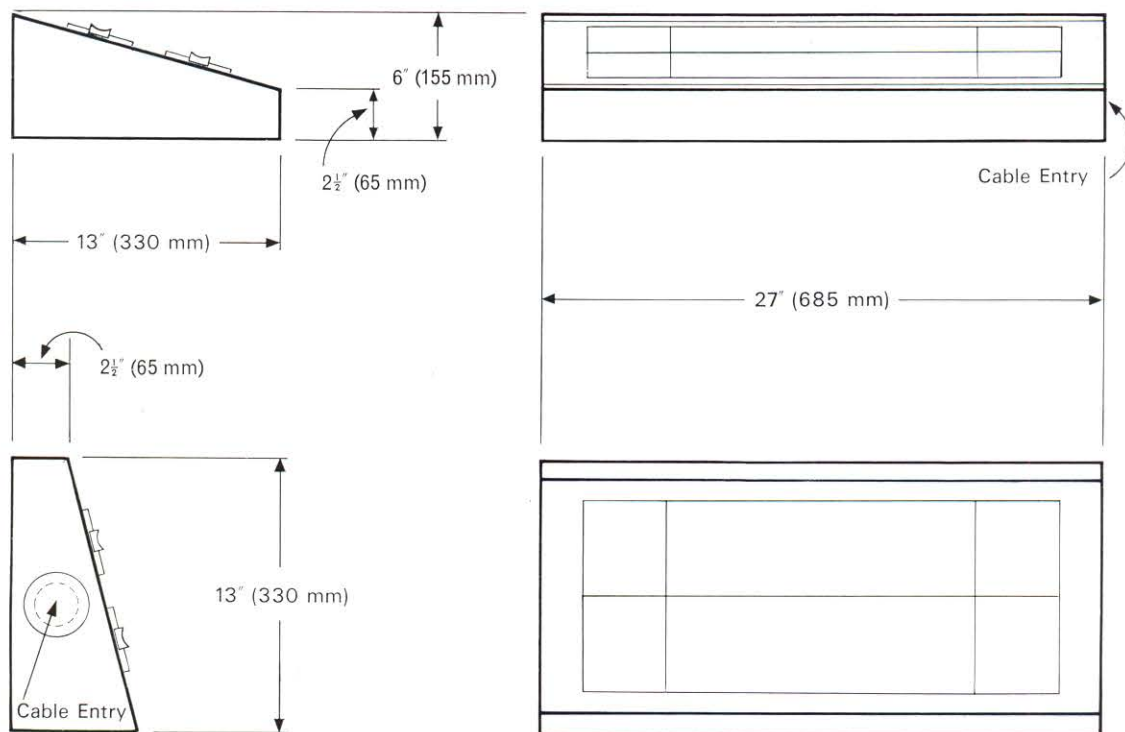
arrangement of lighting required. There are separate master dimmers to each preset so that a lap-change, or a fade to blackout, is possible as well as a cross-fade from one preset to the other.

Applications include remote control, at low cost, of presentation and architectural lighting, small stage lighting installations and, with type PTM dimmers, or JTM with C-filters, lighting for small television studios.



- A. Neon pilot lamp and control cartridge fuse.
- B. Preset I levers for the twenty control channels.
- C. Preset I master dimmer.
- D. Preset I Blackout switch
- E. Preset II Blackout switch
- F. Preset II master dimmer.
- G. Preset II dimmer levers.

There are no switches because thyristor dimmers respond instantly to a change in the control signal and therefore the only difference between dimming and switching is in the speed of operation of either the dimmer lever or the master dimmer.



TYPE JP.20

Table or wall mounting

WEIGHT 25 lb. (11.5 kilos)

SPECIFICATION

The control desk, for type JTM or PTM thyristor dimmers, shall be constructed of aluminium with alloy extrusions, and be smooth finished two-tone hammer grey. The operational area shall be angled 15° and be reversible to allow either table or wall-mounting. A 2-in. (50-mm) cable entry hole, with coverplate, shall be provided in one end. The four rubber feet shall be removable for wall-mounting.

The two dimmer levers associated with each control channel shall be mounted one above the other to facilitate rapid appraisal and matching of intensity levels. A bold channel identification number shall be provided on both dimmer levers. The two rows of dimmer levers shall be inter-connected in a 2-preset network and each preset provided with a separate master dimmer, blackout switch and associated cartridge fuse.

The dimmer levers shall have a linear motion and shall consist of a precision black moulding with a fixed scale, in contrasting white, shared between two adjacent-numbered levers. The effective scale length shall not be less than 2 1/2-in (60mm) and this shall be clearly graduated from 0 through to 10 with half divisions indicated. Each lever shall be fitted with a white moulded knob with a concave finger-rest and bold index line. This knob shall be fully insulated from the three-contact brush assembly of a continuously wound potentiometer.

Both master dimmers shall be fitted with large, moulded fingertip knob, with scale, and shall provide proportional mastering independent of load.

A neon pilot light and cartridge fuse shall be provided for the control circuit power supply (derived from the Thyristor dimmer rack). All internal wiring shall be colour-coded and external connections brought to labelled pressure-pad terminals mounted within the desk.

The phase to neutral voltage should be stated at the time of order.

CONTROL WIRING

One Ref. 604 (or equivalent) 3-conductor cable and two Ref. 601 (or equivalent) 12-conductor cables are required between the desk and the type JTM or PTM 20-dimmer rack. The desk cable entry is at the right-hand end when table-mounted but at the left-hand end for conventional wall-mounting.

The control cables interconnect like-labelled terminals at the desk and dimmer rack. The 3-conductor cable (5 amp at supply voltage) is for terminals A, B and E and the two 12-conductor cables (5mA at 24v) for terminals 1-20 and terminal C.