



Strand Lighting

P R O D U C T D A T A

Iris 1

Single compartment cyc light in manual or pole operated (tilt only) versions, supplied with tubular steel stirrup with 29mm spigot, drop-in colour frame and wireguard with safety bond, and 5m power cable.

⚡ 1250W ⚡ 220/240V ⚖ 7.8kg ✨ 1350 Lux
 ⬇ 3.3m ✂ 305 x 395mm 📦 12kg 📦 0.133m³
 ✓ EN60598 2-17

Cat. No. Description

26070 Iris 1 Manually Operated

26080 Iris 1 Pole Operated Cyclight (tilt only)

Iris 2

Double compartment cyc light in vertical or horizontal arrangement with pole operation of tilt. Supplied with tubular steel stirrup with 29mm spigot, and 7m power cable for each compartment. The split stirrup version of Iris 2 vertical enables the two compartments to be set at different angles.

⚡ 1250W ⚡ 220/240V ⚖ 12.5kg ✨ 1350 Lux (per compartment)
 ⬇ 3.3m ✂ 305 x 395mm 📦 17.5kg 📦 0.193m³
 ✓ EN60598 2-17

Cat. No. Description

26100 Iris 2 Vertical Pole Operated (tilt only)

26110 Iris 2 Horizontal Pole Operated (tilt only)

26090 Iris 2 Split Stirrup Pole Operated (vertical)

Iris 3

Three compartment horizontal cyc light with pole operation of tilt and 7m power cable for each compartment.

⚡ 1250W ⚡ 220/240V ⚖ 19kg ✨ 1350 Lux (per compartment)
 ⬇ 3.3m ✂ 305 x 395mm 📦 25kg 📦 0.235m³
 ✓ EN60598 2-17

Cat. No. Description

26130 Iris 3 Pole Operated (tilt only)

Iris 4

Four compartment cyc light with pole operation of tilt and 7m power cable for each compartment. The split stirrup version of Iris 4 has two separately adjustable Iris 2 units so the double horizontal compartments may be set at different angles.

⚡ 1250W ⚡ 220/240V ⚖ 24kg ✨ 1350 Lux (per compartment)
 ⬇ 3.3m ✂ 305 x 395mm 📦 32kg 📦 0.291m³
 ✓ EN60598 2-17

Cat. No. Description

26150 Iris 4 Pole Operated (tilt only)

26140 Iris 4 Split Stirrup Pole Operated

Iris Accessories

Cat. No. Description

43104 P2/10, 625W, 240V

43103 P2/10, 625W, 230V

43074 P2/7, 1000W, 240V

43073 P2/7, 1000W, 230V

43124 P2/12, 1250W, 240V

43123 P2/12, 1250W, 230V

28011 Additional colour frame

28012 Additional wire mesh guard

82012 Hook clamp to accept 29mm spigot (50mmØ barrel)

82013 Hook clamp to accept 29mm spigot (32-62mmØ barrel)

82002 Safety bond, 50kg

Mini Iris

Single compartment cyc light with same general design as standard Iris but in compact housing for use in smaller studios. Supplied with MO stirrup with 16mm socket and with 4m power cable, with in-line switch. Optional outrig colour frame is required for use with saturated colours.

⚡ 1250W ⚡ 220/240V ⚖ 3kg ✨ 1350 Lux
 ⬇ 3.3m ✓ EN60598 2-17

Cat. No. Description

26060 Mini Iris I Cyclight

Mini Iris Accessories

Cat. No. Description

43104 P2/10, 625W, 240V

43103 P2/10, 625W, 230V

43074 P2/7, 1000W, 240V

43073 P2/7, 1000W, 230V

43124 P2/12, 1250W, 240V

43123 P2/12, 1250W, 230V

28010 Outrig Colour Frame

28012 Additional wire mesh guard

82603 Large Gaffer Grip 16mm Spigot

82002 Safety bond, 50kg

A GUIDE TO SYMBOLS AND ABBREVIATIONS

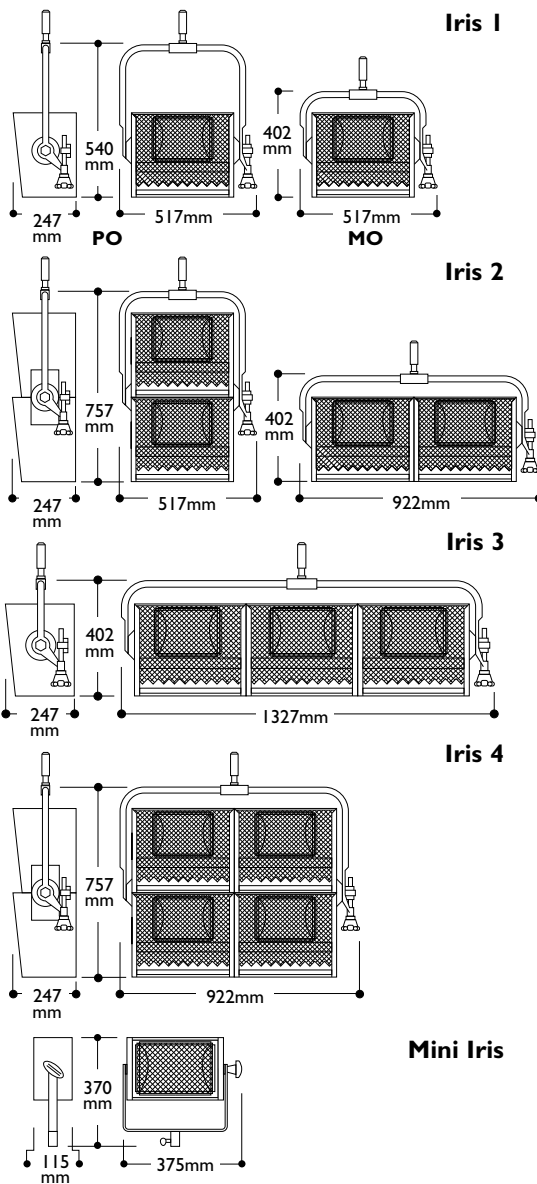
GENERAL ⚡ Supply voltage ⚖ Weight of product 📦 Packed weight 📦 Packed volume ✨ Overall dimension of product ✓ Compliance with international standards. ⚡ Watts (maximum recommended)
 ⬇ Throw (usual working distance from subject in metres) ✨ Illuminance (maximum lux at throw distance stated with lamp recommended or supplied) ✂ Colour filter cut size MO Manual operation PO Pole operation IP International Protection Standard (Ingress protection standard for dust, solids and moisture) IEC529

2.4.2

CYCLORAMA LIGHTS

IRIS™

625W, 1000W, 1250W



- Top-mounting cyclorama lighting range
- Suitable for TV studio and theatre cycloramas up to 7m high
- Exceptionally even beam distribution
- Wide range of versions including split stirrup for Iris 2 and Iris 4
- Black finish to blend with studio roof
- Designed for 625W, 1000W or 1250W 189mm linear tungsten halogen 3200K lamps
- Supplied with 29mm spigot, wire guard, colour frame and power cable
- Mini Iris ideal for small studios

Photometric Data

Iris cyclorama lights are designed to evenly illuminate cycloramas up to 7 metres high with maximum illumination at performer head height of 2 metres.

They rely on the overlap of light from adjacent units which should be installed on 2.5m centres and tilted down 20° from vertical.

A guide to optimum performance from Iris cyclights mounted at different heights is given below:

P2/12 1250W lamp

Cyclorama Height (metres)	7	6	5
Distance from Cyc (metres)	3.3	2.5	2.1
Lux level at 2m high	1450	1850	2150

Mini-Iris uses the same reflector system as the Iris, producing a similar photometric profile.

Lamp Data

Specify lamps for replacement to the following specifications and indicate voltage

Watts	625W	1000W	1250W
Designation	P2/10	P2/7	P2/12
Base	R7s	R7s	R7s
Lumens	16900	26000	35000
Lamp Length	189mm	189mm	189mm
Rated Life-Hours	200	200	150
Colour Temp	3200K	3200K	3200K

Electrical Data

Supply Voltage	230/240V 50/60Hz
Max Lamp per compartment	1250W
Lamp Type/Base	189mm linear lamp R7s
Power Cable	Iris: Individual compartments fitted with 7 metres of 3 x 1.5mm ² cable (Iris 1 - 5m) Iris 4 can be supplied to special order with 9-pin connector for 4-circuit operation. Mini Iris: Fitted with 4 metres of 3 x 1.5mm ² cable with in-line 20 amp switch.
Standards Compliance	EN60 598 2-17

Environmental Data

Max Operating Ambient Temp	45°C
IP Rating	IP20
Tilt/Permitted angles of use	Vertical to -45°

Mechanical Data

Paint/Finish:	Black powder coated epoxy paint.
Lamp House:	The housings are constructed of formed sheet steel assembled with machine threaded screws and rivets for high strength and light weight. Reflector: Asymmetric multi-curve reflectors of high reflectivity textured aluminium for smooth cyclorama illumination.
Mounting /Suspension	Tubular steel stirrup assembly fitted with 29mm spigot BS or DIN specification. Mini Iris: Aluminium stirrup with 16mm socket.

Weights & Dimensions

	Iris 1	Iris 2 (Horizontal)	Iris 2 (Vertical)	Iris 3	Iris 4
Weight	8.5kg	15.5kg	15.5kg	22.5kg	28.5kg
Depth	247mm	247mm	247mm	247mm	247mm
Width	517mm	922mm	517mm	1327mm	922mm
Height	402mm	402mm	757mm	402mm	757mm
Mini Iris Weight	4.0kg				
Mini Iris Depth	115mm				
Mini Iris Width	375mm				
Mini Iris Height	370mm				
Colour Frame Size	405 x 310mm (with safety mesh)				

Operational Data

Lamp Access	Through front of open face of fixture after colour frame and wireguard are removed.
Tilt Adjustment	Iris and Mini Iris: Tilt angle is set by heat insulated lock handle or PO cup (Mini Iris is manual only).

The Company reserves the right to make any variation in design or construction to the equipment described. © Strand Lighting Ltd 1995. Strand™, Strand Lighting™ and Iris™ and Mini Iris™ are trade marks of Strand Lighting Limited and Strand Lighting Inc. Strand Lighting is a company within the Film & Television Division of The Rank Organisation Plc, United Kingdom. Country of origin Italy.



London: Strand Lighting Ltd, Grant Way, Isleworth, Middlesex, TW7 5QD, United Kingdom.
Tel: +44 (0)181 560 3171 Fax: +44 (0)181 568 2103

Wolfenbüttel: Strand Lighting GmbH, Salzbergstraße 2, 38302 Wolfenbüttel, Germany.
Tel: +49 (0) 5331 3008-8 Fax: +49 (0) 5331 78883

Rome: Strand Lighting Srl, Via delle Gardenie 33, Pontina Vecchia Km 33,400, 00040 Pomezia-Roma, Italy
Tel: +39 (0) 6 914 7123 Fax: +39 (0) 6 914 7136

Brussels: Strand Lighting Ltd, Chaussée de Haecht 1801, 1130 Bruxelles, Belgium
Tel: +32 (0) 2 245 8686 Fax: +32 (0) 2 245 2235

Stockholm: Strand Lighting Ltd, Box 20105, Tappvägen 24, 161 02 Bromma, Sweden
Tel: +46 (0) 8 799 6950 Fax: +46 (0) 8 799 6954

ALSO FACILITIES IN: LOS ANGELES • NEW YORK • HONG KONG • MILANO • MUNICH • BERLIN