

FALCON® BEAM colour

3,000 W | 7,000 W

- Indoor/outdoor xenon searchlight
- Colour changer
- Integrated electronic power supply
- Exceptionally sturdy and cost effective
- Providing ease of installation and longterm performance integrity
- Designed for both floor-mounted and suspended/inverted use

The **FALCON® BEAM colour** is perfect for large events and a variety of architectural and entertainment applications, including use as a searchlight or long-throw washlight.

Searchlight with replaceable effect head

Easy replacement of the front cover for convert the FALCON® BEAM colour 3,000 W into a FALCON® FLOWER colour.

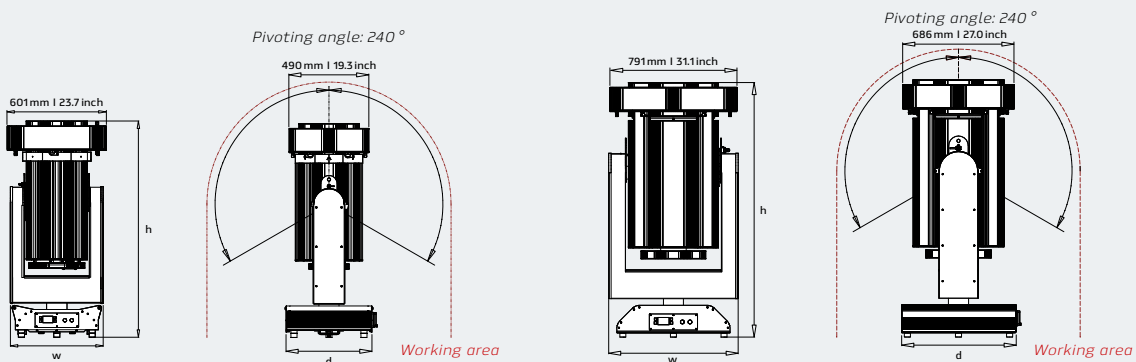


Dimensions 3,000 W

h: 1,314 mm | 51.7 inch
w: 564 mm | 22.2 inch
d: 528 mm | 20.8 inch

Dimensions 7,000 W

h: 1,585 mm | 62.4 inch
w: 806 mm | 31.7 inch
d: 706 mm | 27.8 inch




Technical specifications	FALCON® BEAM colour 3,000 W	FALCON® BEAM colour 7,000 W
Lamp		
Type	OSRAM XBO® 3,000 W	OSRAM: XBO® 7,000 W or Xstage® 7,000 W
Colour temperature	6,000 K	
Colour changer system		
Colour changer	Gel scroller with up to 18 single colours	Gel scroller with up to 13 single colours
Reflector		
Material	Nickel with high-precision electro-shaped rhodium/dichroic coating	Nickel with high-precision electro-shaped rhodium/dichroic coating
Diameter	320 mm / 12.6 inch	460 mm / 18.1 inch
Function		
Main functions	Lamp on / off, hot strike, electronic dimmer, electronic / mechanical strobe, douser, zoom, pan / tilt movement 16 bit, reset, colour changer	
Movement	Pan = 500 °, tilt = 240 °	
Control		
Standard DMX protocol	DMX 512 in / out	
DMX channels	13	
Power		
System	Built-in electronic power supply	
Input power (other input voltages on request)	230 VAC 50 Hz, balanced 18.0 A 1-phase	400 VAC 50 Hz, balanced 18.0 A 3-phase
Max. tolerances	+ 5 % / - 5 %	
Power consumption	4,000 W, cos ϕ > 0.98	8,000 W, cos ϕ > 0.98
Temperature		
Operating temperature	- 15 °C up to + 42 °C, non-condensed; 5 °F up to 107.6 °F, non-condensed	
Housing		
Material	Non-corrosive aluminium / stainless steel	
Colour	Standard colour: black, matt, RAL 9005; other RAL-tones possible	
Protection		
Protection rating	IP 54	
Specifications (touring)		
Dimensions h x w x d	1,314 x 564 x 528 mm; 51.7 x 22.2 x 20.8 inch	1,585 x 806 x 706 mm; 62.4 x 31.7 x 27.8 inch
Weight (standard, without clamps and safety chain)	129 kg (284.4 lb) Clamps and safety chain: 4 kg (8.8 lb)	220 kg (485.0 lb) Clamps and safety chain: 20 kg (44.1 lb)

ACCESSORIES

FALCON® BEAM colour



Article	Article No.	Accessories for entertainment FALCON®-Range
Body protection		
	A013401101	Body protection kit (Safety glasses, gloves, leather jacket)
Accessories		
	A013101101	Flower Universal Kit for FALCON® BEAM colour 3,000 W Replaceable front cover to convert the FALCON® BEAM colour 3,000 W into a multi-beam „flower“ or „night sky“ break-up which is called FALCON® FLOWER colour.
Fixture Safety		
	A013102101	Clamps & Safety Chain Kit 3,000 W (2 Clamps, 1 Chain, 2 Chain Links) For the hanging installation of FALCON® BEAM luminaires.
	A013102102	Clamps & Safety Chain Kit 7,000 W (4 Clamps, 1 Chain, 2 Chain Links, 1 Flight frame) For the hanging installation of FALCON® BEAM luminaires.
	A014101221	FALCON® FLIGHTCASE Clamps & Safety Chain Kit (two sets fit in one flightcase)
Luminaires & Sockets		
	Lamp socket: Spare Part: Brass adapter for xenon lamp.	
	A013501133	Lamp socket XBO 3,000 W
	A013501107	Lamp socket Xstage 7,000 W
	A013501177	Lamp socket XBO 7,000 W
	OS15101131	XBO 3,000 W / HS XL OFR
	OS15101103	XBO 3,000 W / HS CL OFR
	OS15101109	XBO 7,000 W / HS XL OFR
	OS15102107	Xstage 7,000 W
Packaging & Transport		
	A013103101	FALCON® FLIGHTCASE BEAM / FLOWER colour 3,000 W
	A013103103	FALCON® FLIGHTCASE BEAM / FLOWER colour 7,000 W
	A013103106	FALCON® FLIGHTCASE BEAM / FLOWER KIT 3,000 W
	A014101220	FALCON® FLIGHTCASE BEAM / FLOWER KIT 7,000 W
	A013104101	Packing (Woodbox ISPM15) FALCON® BEAM / FLOWER colour 3,000 W
	A013104103	Packing (Woodbox ISPM15) FALCON® BEAM / FLOWER colour 7,000 W
Control		
	ITCS800	CueServer Pro CS800 Programmable light show controller
	A013200002	DMX Booster 1 in 4, DIN-Rail mounting, 230 VAC DMX Signal splitter and amplifier
	A013200001	DMX Booster 1 in 10, 19", 1U, 1x XLR5 in / thru, 10 x XLR5 out, 230 VAC DMX Signal splitter and amplifier

AO Multimedia & Drones

info@ao-creative.com www.ao-creative.com

April 2018 All of the descriptions, illustrations, diagrams and technical details in this folder describe examples of design or construction and they do not form any element of the contract. Text and photographs are the copyright of AO Multimedia & Drones. All rights reserved. The right is reserved to make technical alterations.