

FALCON® BEAM 2

- Indoor/outdoor xenon searchlight
- Increased brightness
- Reduced size & weight
- Fast zoom effect
- Colour changer
- Integrated electronic power supply
- Exceptionally sturdy and cost effective
- Providing ease of installation and long-term performance integrity

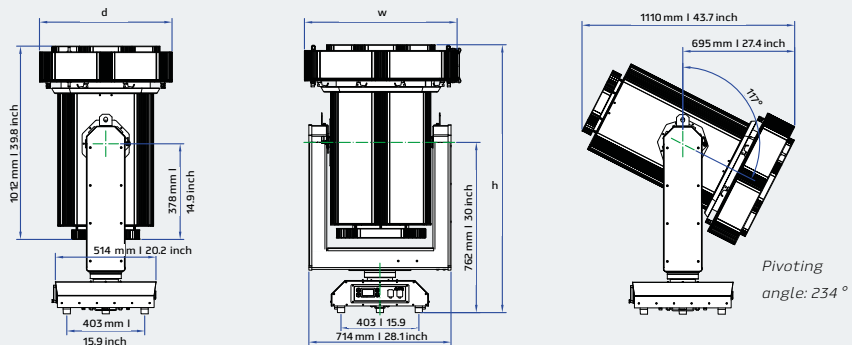
7,000 W

The **FALCON® BEAM 2** is the first choice for demanding illuminations in the fields of entertainment and architectural lighting. With reduced power consumption, swift zoom progressions and the increased speed of its pan and tilt movements the **FALCON® BEAM 2** offers another plus: the compact searchlight takes up very little space for a device of such luminosity. The low maintenance costs and highly efficient optics make the **FALCON® BEAM 2** a must for every lighting design.



Dimensions

h: 1,396 mm | 54.96 inch
w: 791 mm | 31.1 inch
d: 686 mm | 27 inch



Technical specifications	FALCON® BEAM 2 7,000 W
Lamp	
Type	Xstage® 7,000 W
Colour temperature	6,000 K
Colour changer system	
Colour changer	Gel scroller with up to 13 single colours
Reflector	
Material	Nickel with high precision electro-shaped dichroic coating
Diameter	406 mm / 16 inch
Function	
Main functions	Lamp on / off, hot strike, electronic / mechanical dimmer, electronic strobe, mechanical strobe, zoom, pan / tilt movement 16 bit, reset, colour changer
Movement	Pan = 500 °, tilt = 234 °
Control	
Standard DMX protocol	DMX 512 in / out
DMX channels	13
Power	
System	Built-in electronic power supply
Input power (other input voltages on request)	400 VAC 50-60 Hz, balanced, 3-phase
Max. tolerances	+ 5% / - 5%
Power consumption	7,500 W, $\cos \varphi > 0.98$
Temperature	
Operating temperature	- 15 °C up to + 42 °C, non-condensed; 5 °F up to 107.6 °F, non-condensed
Housing	
Material	Non-corrosive aluminium / stainless steel
Colour	Standard colour: black, matt, RAL 9005; other RAL-tones possible
Protection	
Protection rating	IP 54
Specifications (touring)	
Dimensions h x w x d	1,396 x 791 x 686 mm; 54.96 x 31.1 x 27 inch
Weight (standard, without clamps and safety chain)	182 kg (401 lb)

AO Multimedia & Drones

info@ao-creative.com www.ao-creative.com

September 2016 All of the descriptions, illustrations, diagrams and technical details in this folder describe examples of design or construction and they do not form any element of the contract. Text and photographs are the copyright of AO Multimedia & Drones. All rights reserved. The right is reserved to make technical alterations.