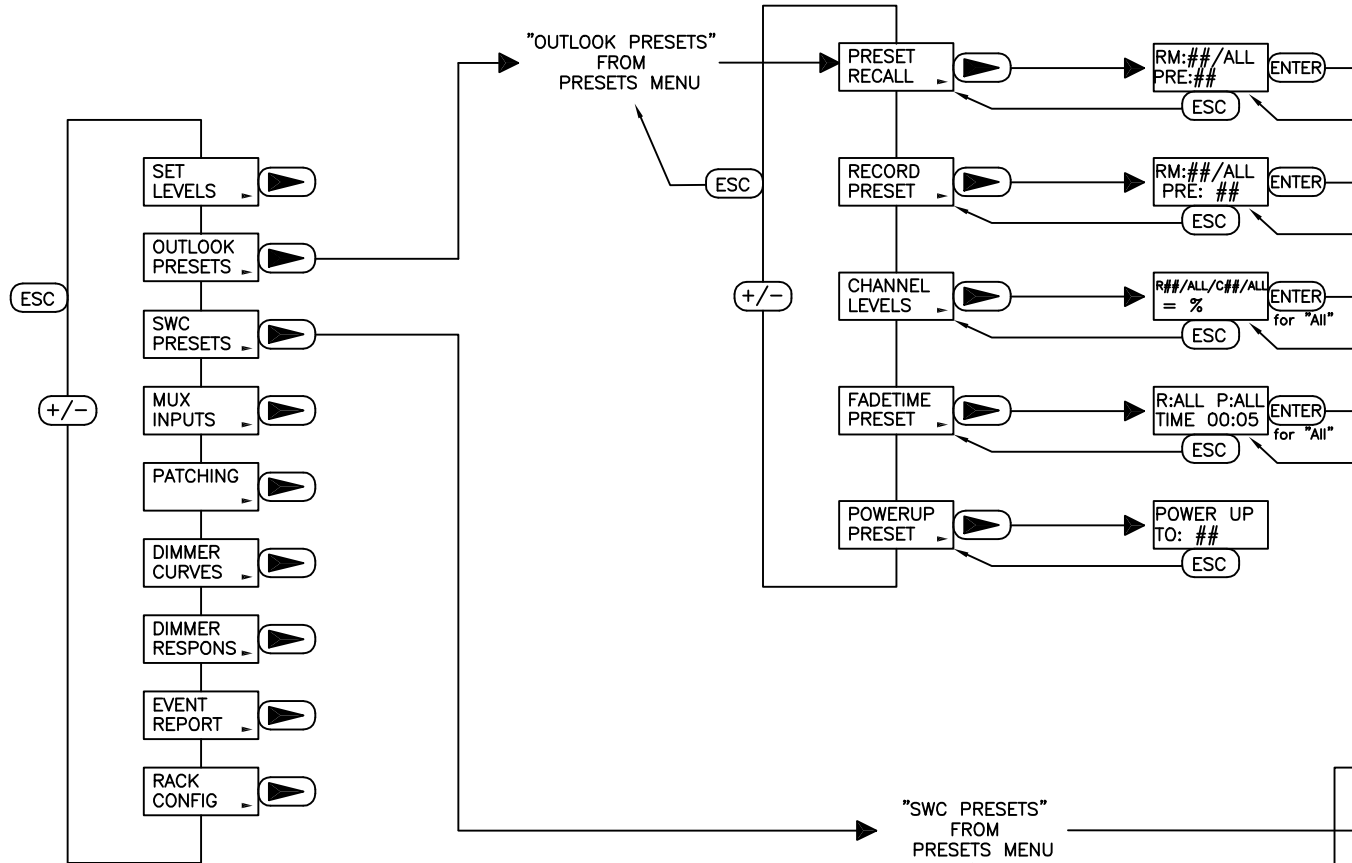
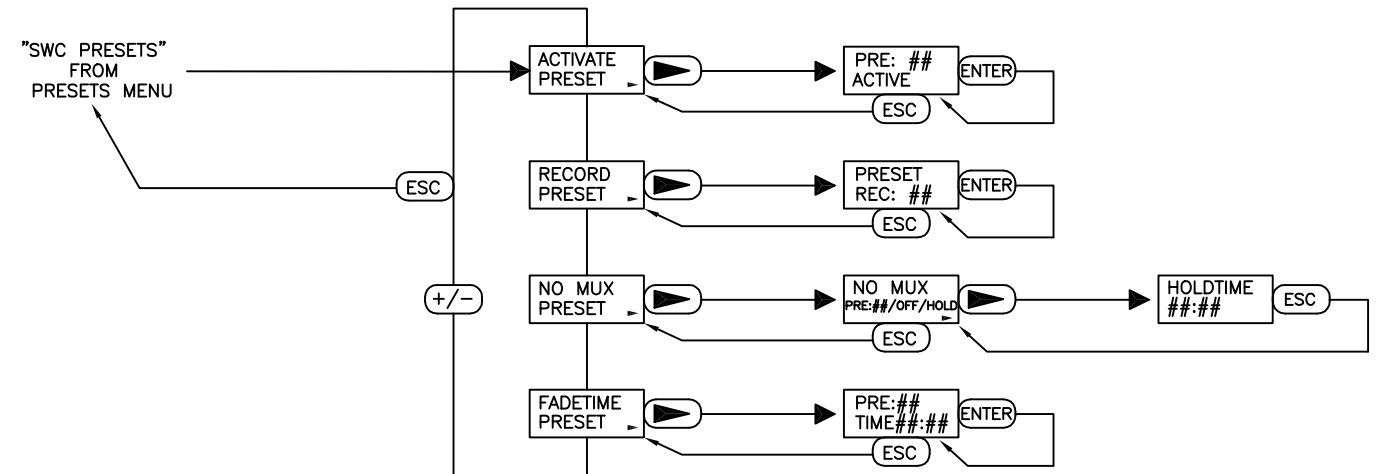


### OUTLOOK PRESETS MENU



### SWC PRESETS MENU



APPVD	DWN	REV	DATE	REV DESCRIPTION



THIS DOCUMENT IS THE CONFIDENTIAL PROPERTY OF STRAND LIGHTING AND IS LOANED SUBJECT TO RETURN UPON DEMAND. TITLE TO THIS DOCUMENT IS NEVER SOLD OR TRANSFERRED FOR ANY REASON. THIS DOCUMENT IS TO BE USED ONLY PURSUANT TO WRITTEN LICENSE OR WRITTEN INSTRUCTIONS OF STRAND LIGHTING. ALL RIGHTS TO DESIGNS AND INVENTIONS ARE RESERVED BY STRAND LIGHTING. POSSESSION OF THIS DOCUMENT IS ACCEPTED SUBJECT TO THE FOREGOING.

DESIGNER C. COLEY	ENGINEER 01/02/01	JOB NAME CD-80 SV MENU FLOW CHART	SYSTEM OUTLOOK MENU SWC MENU
APPVD BY	DATE	STRAND P/N	TITLE SOFTWARE VERSION 3.73
UNLESS OTHERWISE SPECIFIED TOLERANCES .XX ± .010 DO NOT DIMENSIONS ARE IN INCHES ANG .XX ± .006 SCALE DRAWING	SIZE B	SCALE N.T.S.	SHEET 1 OF 1
DRAWING NO. 102			REV