

# BAMBINO 500 W

## Quartz Halogen Fresnel

Preliminary data sheet

- Improved light quality and output, producing a flatter and more even field
- High quality, rugged, durable
- Corrosion resistant for longer life
- Compatibility of parts throughout the range
- A comprehensive range of accessories, interchangeable with existing Quartzcolor products
- Easy to service and maintain
- Bonding eyes and rigging hooks on larger units
- Front and back focusing on larger units
- New worm drive mechanism for precise focusing
- New easy running barndoors ears on larger units
- Scratch resistant black non-reflective housing
- BAMBINO 500 W is also available as a kit
- CE mark, c UL us listed



### Operational data

**Safety:**

25 x 25 mm wire mesh guard.

**Accessory fitting:**

Stainless steel ears.  
Spring loaded top catch for retention of accessories.

**Tilt adjustment:**

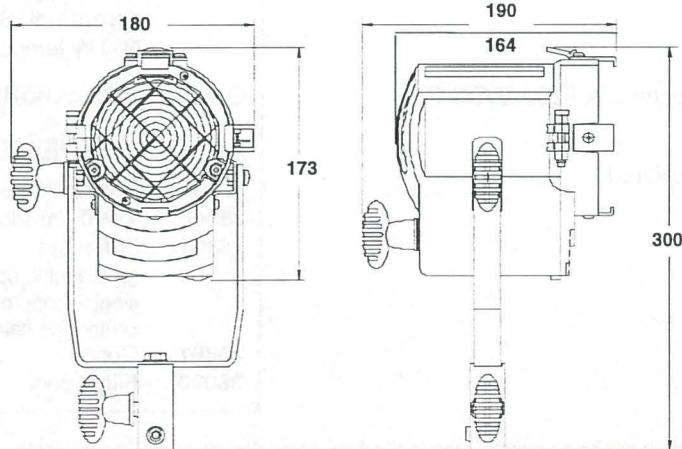
Pivot located at centre of gravity for excellent balance and positive locking.

**Focus adjustment:**

Rear focusing knob for smooth and precise action from spot to flood positions

**Lamp access:**

Hinged lens door allows easy access for lamp replacement.



### Weights & dimensions

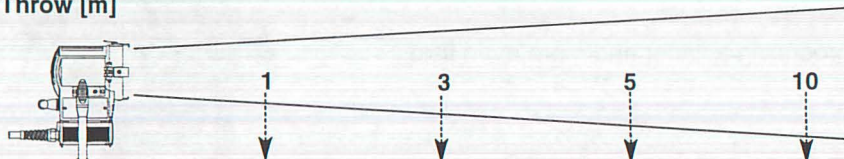
<b>Lens diameter</b>	90 mm	<b>Weight (head + stirrup)</b>	2.5 kg
<b>Accessory diameter</b>	130 mm	<b>Packed weight</b>	3.5 kg
<b>Filter cut size</b>	110x110 mm	<b>Packed volume</b>	340x250x270 mm



**Photometric data**

Typical performance based on CP 82 - 500 W lamp:

**Throw [m]**



	Lux	φ [m]	Lux	φ [m]	Lux	φ [m]	Lux	φ [m]
<b>SPOT (14.2°)</b>	31,000	0.25	3,440	0.75	1,240	1.25	310	2.5
<b>FLOOD (45.3°)</b>	11,000	0.83	1,220	2.5	440	4.2	110	8.3

**Mechanical data**

**Paint / Finish:** Powder coated epoxy paint with special extra high temperature treatment in critical areas. External textured low gloss finish

**Lamp house** Die cast aluminium

**Mounting:** Flat aluminium stirrup with BS or standard DIN socket

**Environmental Data**

**Max operating ambient temperature:** 45°C

**IP Rating:** IP 20

**Tilt recommended angle of use:** -90° / 0 / 90°

**Electrical data**

**Cable / Switching:** 4 m 3 x 1.5 mm<sup>2</sup> with in-line 8 A / 250 V ON-OFF toggle switch

**Standards compliance:** CE mark, c UL us listed

**Lamp data**

**Lamp code** CP82 - 500 W

**LCL (mm)** 46

**Base** GY9.5

**Lumens** 12500

**Rated life hours (H)** 150

**Colour temp. (K)** 3200

**Ordering information**

**Cat No Description**

- 27620 Bambino 500 W M.O.** supplied with stirrup, colour frame, 4 leaf rotating barndoor
- 27623** as above + 230 V lamp
- 27624** as above + 240 V lamp
- 27663 Bambino 500 W (230 V) kit includes:**  
3 x heads + stirrup  
3 x colour frames  
3 x 4 leaf barndoor  
1 x set of scrims  
3 x stands  
3 x 230 V - 500 W lamps  
1 x flight case
- 27664 Bambino 500 W (240 V) kit :**  
same as p/n 27663 except with 3 x 240 V 500 W lamps

**Optional Accessories**

**Cat. No Description**

- 28080** Colour frame
- 28040** 4 leaf barndoor
- 28301** Scrim set  
(one double scrim, one single scrim, one half double scrim, one half single scrim)
- 28081** Cone
- 28030** Flight case

The Company reserves the right to make any variation in design or construction to the equipment described. © Strand Lighting Ltd 1999. Strand™, Strand Lighting™, Strand Quartzcolor™ are trade marks of Strand Lighting Limited and Strand Lighting Inc.

**Strand Lighting Ltd** North Hyde House Hayes Rd Heston Middx UB2 5NL UK Tel: +44 (0)181 571 3588 Fax: +44 (0)181 571 3305  
**Strand Lighting GmbH** Ullsteinstrasse 114-142 D-12109 Berlin Germany Tel: +49 (0) 30/70 79 51 0 Fax: +49 (0) 30/70 79 519 9  
**Strand Lighting Italia srl** Via delle Gardenie 33 00040 Pomezia-Roma Italy Tel: +39 06 91963.1 Fax: +39 06 9147136  
**Strand Lighting Asia Ltd** 7/F Corporation Square 8 Lam Lok Street Kowloon Bay Hong Kong Tel: +852 2757 3033 Fax: +852 2757 1767

LONDON - BERLIN - ROME - PARIS - MOSCOW - LOS ANGELES - NEW YORK - TORONTO - HONG KONG