

Bambino Fresnel Spotlight

10" (254mm) 5000W

- ◀ Delivers 5KW of lighting power, but weighs only 24 pounds (10.9 kgs)
- ◀ A 10" lens for exceptional control and flexibility
- ◀ All steel welded construction and high-temperature silicone paint for strength and durability
- ◀ Handy in-line switch
- ◀ Unique spigot design allows head to fit into Junior (1 1/8") (28.6mm) stand or on Baby (5/8") (17mm) stand with no additional accessories
- ◀ Uses standard QuartzColor accessories and includes three-conductor wire for electrically safe location shooting
- ◀ "Cool Touch" T-handles and lamp focus adjustment knobs for fast, easy handling
- ◀ Excellent convection cooling for rated lamp life without light leaks

Specifications:

This unit shall be a 5000W Fresnel spotlight to accommodate a tungsten-halogen mogul bipost lamp. The socket shall be mounted on an adjustable burner in front of a spherical, specular high purity aluminum reflector. The unit shall be provided with a heat resisting 10" (254mm) diameter Fresnel lens.

The entire enclosure shall be of steel with double-walled corrugated construction and baffles for heat dissipation.

The socket burner assembly shall be readily movable from spot to flood focus by means of an external handle for manual or remote pole operation, and shall be provided with a stop to prevent overtravel.

The lamp focusing control on the unit shall be field adaptable for pole operation.

Lamp access shall be through the hinged front door.

The unit shall be equipped with a malleable iron clamp to grip up to 2" (51mm) pipe, a yoke with locking disc and 39" (1m) three-wire cable lead.

To specify unit for stand mounting, indicate #3505MP. The MP unit shall be equipped with 6.6' (2m) three-conductor cable. There shall be a unit mounted switch rated for 120/240 VAC or DC operation. The yoke shall be supplied with a one-piece combination 1 5/8" (28mm) male spigot/1/2" (16mm) receiver socket.

To specify the unit for pole operation, indicate #3505PO. The PO unit as above shall be supplied with special yoke for pole operation of Pan and Tilt functions.

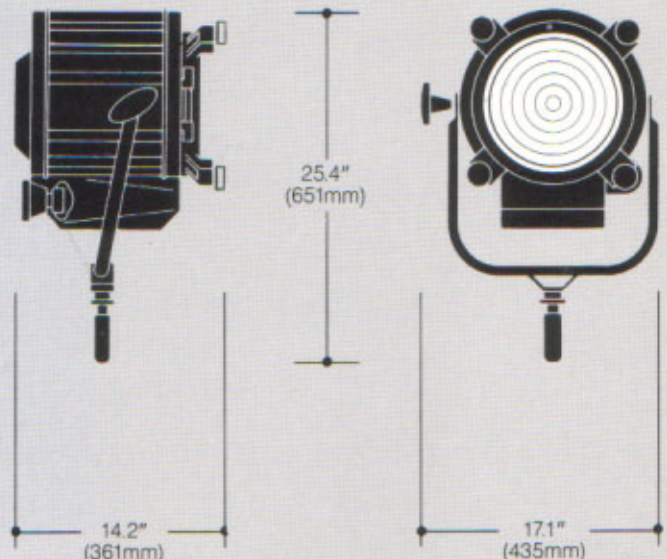
Exterior finish shall be black heat resisting enamel and the entire unit shall be U.L. listed. Weight: 24 lbs. (10.9kg).

This unit shall have a 12° to 51° variable 1/2-peak angle and a 19° to 61° variable 1/10-peak angle and shall produce 438 footcandles at 40' (4855 lux at 12m) maximum (Spot Focus) and 122 footcandles at 30' (1355 lux at 9m) maximum (Flood Focus) using a DPY lamp.

QuartzColor



Dimensions:



Weight: 24 lbs. (10.9kg)

Bambino Fresnel Spotlight

10" (254mm) 5000W

QuartzColor

Accessories:

Eight-way rotatable barndoor	1301
Color or diffuser frame	1145
Full double scrim	1208
Full single scrim	1209
Half double scrim	1210
Half single scrim	1211
4 1/4" (110mm) opening cone	1173
6" (150mm) opening cone	1174
7 1/2" (195mm) opening cone	1175

Performance Data:

Lamp: DPY, 5000W, 500 Hrs., 3200°K

1/2 Peak Angle — Beam spread where intensity drops to 50% of maximum.

1/10 Peak Angle — Beam spread where intensity drops to 10% of maximum.

Other Lamps: multiply intensity by M.F. below:

Lamp	Watts	M.F.	Life (Hrs.)	Color Temp. (°K)
CP29 220/240V	5000	.94	500	3200

Spot Focus

Distance — Feet	20	30	40	50	60
Footcandles — at Center	1750	777	438	280	195
Diameter — Feet	4.2	6.3	8.4	10.5	12.6

1/2-Peak Angle — 12°

1/10-Peak Angle — 19°

Distance — Meters	6	9	12	15	18
Lux — at Center	19,445	8640	4855	3105	2160
Diameter — Meters	1.3	1.9	2.5	3.2	3.8

Performance at Any Distance: Footcandles or Lux = 700,000/Distance²
Diameter = Distance x .21

Flood Focus

Distance — Feet	10	15	20	25	30
Footcandles — at Center	1100	488	275	176	122
Diameter — Feet	9.5	14.3	19	23.8	28.5

1/2-Peak Angle — 51°

1/10-Peak Angle — 61°

Distance — Meters	3	4.5	6	7.5	9
Lux — at Center	12,220	5430	3055	1950	1355
Diameter — Meters	2.9	4.3	5.7	7.1	8.6

Performance at Any Distance: Footcandles or Lux = 110,000/Distance²
Diameter = Distance x .95



A SUBSIDIARY OF THE RANK ORGANISATION

Los Angeles — 18111 South Santa Fe Ave, PO. Box 9004, Rancho Dominguez, California 90224 Tel: (213) 637-7500, Telex: 664741

London — P.O. Box 51, Great West Road, Brentford, Middlesex TW8 9HR Tel: 01 560 3171, Telex: 27976

Toronto — 6490 Viscount Road, Mississauga, Ontario, Canada L4V 1H3 Tel: (416) 677-7130, Telex: 06968646

West Germany — 3340 Wolfenbüttel 16 — Salzdaalum Tel: 0 53 31/79 51-53, Telex: 95641

Hong Kong — 802 Houston Centre, 63 Mody Road, Tsimshatsui East, Kowloon Tel: 3-685161, Telex: 44953

Facilities in Paris and New York