

Bambino Fresnel Spotlight

5" (127mm) 1000W

- ◀ Smallest of the Bambino family, 5" lens delivers 1000W
- ◀ Handy in-line switch
- ◀ Spigot adaptor design allows head to be stand-mounted, grid hung or used with gaffer grip
- ◀ "Cool Touch" T-handles and lamp focus adjustment knobs for fast, easy handling
- ◀ Excellent convection cooling for rated lamp life without light leaks

Specifications:

This unit shall be a 500W, 750W, 1000W Fresnel spotlight to accommodate a tungsten-halogen medium bipost lamp. The socket shall be mounted on an adjustable burner in front of a spherical specular high purity aluminum reflector. The unit shall be provided with a heat-resisting 5" (127mm) diameter Fresnel lens.

The entire enclosure shall be of steel with double-walled corrugated construction and baffles for heat dissipation.

The socket burner assembly shall be readily moveable from spot to flood focus by means of an external handle for manual or remote pole operation, and shall be provided with a stop to prevent overtravel.

The lamp focusing control on the unit shall be field adaptable to pole operation.

Lamp access shall be through the hinged front door.

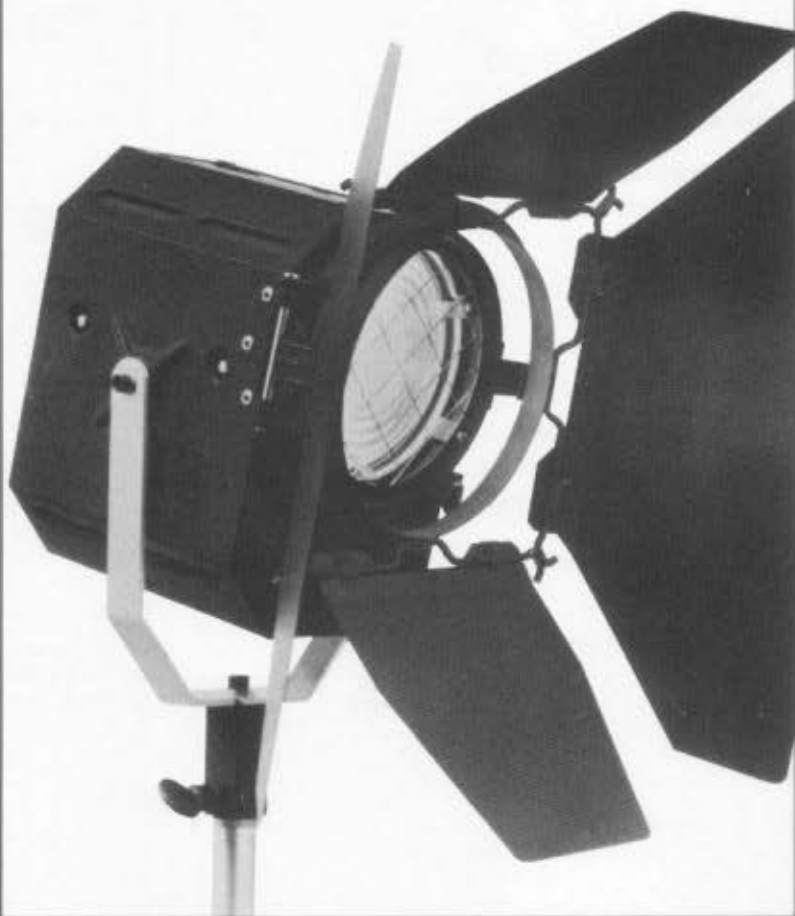
The unit shall be equipped with a malleable iron clamp to grip up to 2" (51mm) pipe, a yoke with locking disc and 39" (1m) three wire cable lead.

To specify the unit for stand mounting, indicate #3201MP. The MP unit shall be equipped with 23' (7m) 3-conductor cable. There shall be an in-line switch rated for 120/240 VAC or DC operation. The yoke shall be supplied with a 5/8" (16mm) receiver socket.

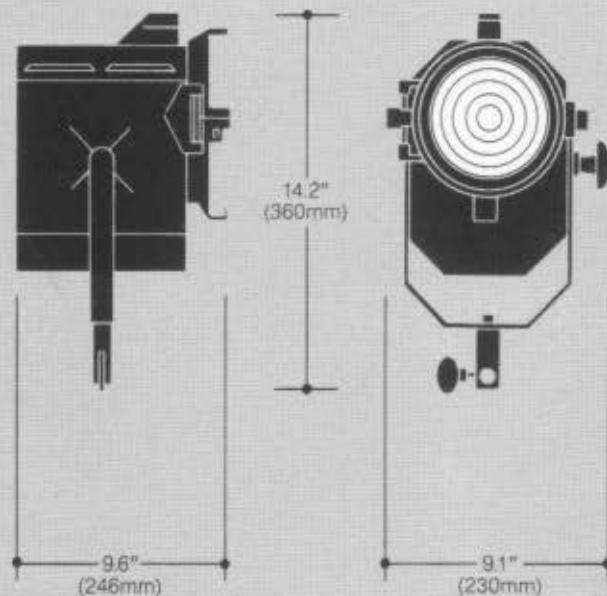
Exterior finish shall be black heat resisting enamel and the entire unit shall be U.L. listed. Weight: 9 lbs. (4.1kg).

This unit shall have a 9° to 60° variable 1/2-peak angle and a 16° to 68° variable 1/10-peak angle and shall produce 380 footcandles at 20' (4220 lux at 6m) maximum (Spot Focus) and 63 footcandles at 15' (700 lux at 4.5m) maximum (Flood Focus) using an EGT lamp.

QuartzColor 



Dimensions:



Weight: 9 lbs. (4.1kg)

Bambino Fresnel Spotlight

5" (127mm) 1000W

QuartzColor

Accessories:

Four-way rotatable barndoor	1306
Color or diffuser frame	1143
Full double scrim	1200
Full single scrim	1205
Half double scrim	1206
Half single scrim	1207

Performance Data:

Lamp: EGT, 1000W, 250 Hrs., 3200°K

1/2 Peak Angle — Beam spread where intensity drops to 50% of maximum.

1/10 Peak Angle — Beam spread where intensity drops to 10% of maximum.

Other Lamps: multiply intensity by M.F. below:

Lamp	Watts	M.F.	Life (Hrs.)	Color Temp. (°K)
EGN	500	.45		3200
EGR	750	.73		3200

Spot Focus

Distance — Feet	10	15	20	25	30
Footcandles — at Center	1519	675	380	243	169
Diameter — Feet	2.8	4.2	5.6	7	8.4

1/2-Peak Angle — 9°

1/10-Peak Angle — 16°

Distance — Meters	3	4.5	6	7.5	9
Lux — at Center	16,880	7500	4220	2700	1875
Diameter — Meters	.84	1.26	1.7	2.1	2.5

Performance at Any Distance: Footcandles or Lux = 151,900/Distance²
Diameter = Distance x .28

Flood Focus

Distance — Feet	5	10	15	20	25
Footcandles — at Center	568	142	63	35	23
Diameter — Feet	6.75	13.5	20.25	27	34

1/2-Peak Angle — 60°

1/10-Peak Angle — 68°

Distance — Meters	1.5	3	4.5	6	7.5
Lux — at Center	6310	1580	700	395	255
Diameter — Meters	2	4	6.1	8.1	10.1

Performance at Any Distance: Footcandles or Lux = 14,200/Distance²
Diameter = Distance x 1.35



Los Angeles — 18111 South Santa Fe Ave, P.O. Box 9004, Rancho Dominguez, California 90224 Tel: (213) 637-7500, Telex: 664741
 London — P.O. Box 51, Great West Road, Brentford, Middlesex TW8 9HR Tel: 01 560 3171, Telex: 27976
 Toronto — 6490 Viscount Road, Mississauga, Ontario, Canada L4V 1H3 Tel: (416) 677-7130, Telex: 06968646
 West Germany — 3340 Wollenblütel 16 — Salzlahlum Tel: 0 53 31/79 51-53, Telex: 95641
 Hong Kong — 802 Houston Centre, 63 Mody Road, Tsimshatsui East, Kowloon Tel: 3-685161, Telex: 44953
 Facilities in Paris and New York