

Strand Lighting

Bambino 300

Very compact and rugged 300W fresnel with 90 mm (3 1/2") diameter lens. Supplied with height adjustable cast stirrup incorporating 16mm (5/8") socket and 1/2" hole for C-clamp fitting, colour frame, 4 leaf rotating barndoor, 4m (13ft) cable with in-line switch and GR moulded connector.

Cat. No.	Description
26636	Bambino 300W, GR connector

Bambino 300 Accessories

Cat. No.	Description
28103	Additional Colour Frame 130mm (5 1/8") diameter
28102	Additional Barndoor, 4-leaf rotating -130mm (5 1/8") diameter
28104	Cone, variable aperture - 130mm (5 1/8") diameter
82602	Small Gaffer Grip 16mm (5/8") spigot
82020	Spigot Adaptor 16mm to 29mm (5/8" to 1 1/8")
81004	Lightweight Stand with 16mm (5/8") spigot
82003	Safety Cable, 457mm (18")

Bambino 300 & 650 Lamps

FKW	300W 120V Lamp
FRG	500W 120V Lamp
FRF	500W 120V Lamp
CP81	300W 230V Lamp
CP82	500W 230V Lamp
T18	500W 230V Lamp

Bambino 650

Very compact and rugged 650W fresnel with 130mm (5 1/8") diameter lens. Supplied with cast stirrup incorporating 16mm (5/8") socket, colour frame, 4 leaf rotating barndoor, 4m (13ft) cable with in-line switch and GR moulded connector

Cat. No.	Description
26426	Bambino 650W, GR connector

Bambino 650 Accessories

Cat. No.	Description
28047	Additional Colour Frame - 168mm (6 5/8") diameter
28048	Additional Barndoor, 4-leaf rotating 168mm (6 5/8") diameter
28359	Scrim set No. 9 (1 full double, 1 full single, 1 half double, 1 half single) 168mm (6 5/8") diameter
28049	Cone - variable aperture - 168mm (6 5/8") diameter
82603	Large Gaffer Grip 16mm (5/8") spigot
82020	Spigot Adaptor 16mm to 29mm (5/8" to 1 1/8")
81004	Lightweight Stand with 16mm (5/8") spigot
82003	Safety Cable, 457mm (18")

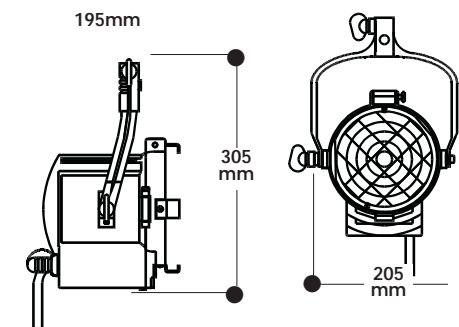
Bambino 650 only lamps

FRK	650W 120V Lamp
CP89	650W 230V Lamp

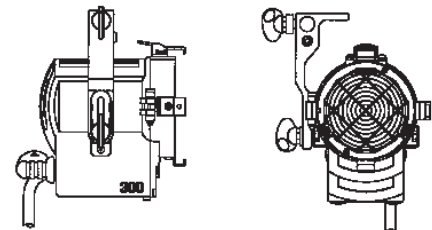
PRODUCT DATA

BAMBINO™ 300 BAMBINO™ 650 300, 650W Fresnels

Bambino 650



Bambino 300



- Compact and rugged design, ideal for location work.
- Designed for easy handling in the studio or on location
- Easy action spring loaded top catch for security but with quick access for accessory fitting
- Exceptional performance from generous lens sizes
- Optimised for even spread and wide focus range
- Superb light control from generously proportioned barndoors
- High quality mechanics for years of reliable operation
- Wide front access for easy lamp replacement
- Both models accept a range of studio and long life lamps for extra flexibility. Bambino 300 accepts up to 500W maximum
- Bambino 300 has unique single sided yoke design which is adjustable for close rigging
- Bambino 300 has reversible accessory ears to either allow space for multiple scrims or with reduced depth for fitting fewer scrims but without light spill
- Both fixtures available in portable lighting kits complete with accessories and stands in a rugged carrying case.

Photometric Data**Bambino 300**

Throw (ft)	5		10		15		20	
	FC	Ø	FC	Ø	FC	Ø	FC	Ø
Flood 49°	180	4.5ft	45	9ft	20	13.5ft	-	-
Spot 11°	-	-	225	1.9ft	100	2.9ft	55	3.8ft

Performance based on FKW 300W lamp

For performance with FRB 500W lamp multiply FC by 1.67

Performance at any distance: Flood $4548 \div \text{Distance}^2$ Performance at any distance: Spot $22682 \div \text{Distance}^2$ **Bambino 650**

Throw (ft)	10		15		20		25	
	FC	Ø	FC	Ø	FC	Ø	FC	Ø
Flood 53°	110	10ft	50	15ft	25	20ft	-	-
Spot 11°	-	-	290	2.9ft	160	3.8ft	100	4.8ft

Performance based on FRK 650W lamp

For performance with FRB 500W lamp multiply FC by 0.77

Performance at any distance: Flood $10700 \div \text{Distance}^2$ Performance at any distance: Spot $64800 \div \text{Distance}^2$ **Lamp Data**

Order lamps for replacement to the following specifications.

Watts	650	500	300	650	500
Designation	FRK(CP89)	FRB(CP82)	FKW(CP81)	FRE(T26)	FRF(T18)
Base	2PP(GY9.5)	2PP(GY9.5)	2PP(GY9.5)	2PP(GY9.5)	2PP(GY9.5)
Lumens	16900	12500	6900	15000	1100
LCL	46mm	46mm	46mm	46mm	46mm
Rated Life-Hours	200	150	150	400	400
Colour Temp	3200K	3200K	3200K	3050K	3050K

Electrical Data

Supply Voltage	110/240V 50/60Hz
Cable & Switching	13ft 3 x 16AWG cable with in-line switch and moulded GR connector
Standards Compliance	Bambino 650 UL and cUL listed Bambino 300 submitted for listing

Environmental Data

Max Operating Ambient Temp	50°F
IP Rating	IP20
Recommended angles of use	↑90° - 0 - ↓90°

Mechanical Data

Paint/Finish	Black powder coated epoxy paint with special extra high temperature treatment in critical areas
Lamp House	Pressure diecast aluminium two piece construction
Lens	Heat resistant borosilicate glass: Bambino 300 3 ¹ / ₂ " diameter Bambino 650 5 ¹ / ₈ " diameter
Reflector	Spherical anodised aluminium reflector optimised for lamp/lens combination
Mounting/Suspension	Cast aluminium yoke with 5 ⁵ / ₈ " (16mm) socket. Bambino 300 has single sided yoke with facility for standard height mounting giving full rotation around fixture or reduced height for tight rigging situations

Operational Data

Lamp Access	Through hinging lens door
Beam Adjustment	By 4-leaf rotating barndoor
Focus Adjustment	By rear facing rotary control with helical screw focus mechanism
Accessory Fitting	Drop-in accessories with spring loaded top catch for retention

Weights and Dimensions

	Bambino 300	Bambino 650
Length	162mm (6.4")	188mm (7.4")
Width	153mm (6")	203mm (8")
Height		
Head only	178mm (7")	203mm (8")
With yoke-stand mounted	243mm (9.6")	297mm (11.7")
With yoke-hanging	212mm (8.4")	307mm (12.1")
With short yoke-hanging	178mm (7")	-
Weight		
Fixture	2.3kg (5.0lb)	2.6kg (5.7lb)
Barndoor	0.7kg (1.5lb)	0.8kg (1.8lb)
Shipping Data		
Packed Weight	3.9kg (8.5lb)	4.5kg (10lb)
Packed Volume	0.012 m ³ (0.42cu ft)	0.029 m ³ (1cu ft)



Strand Lighting

London: Strand Lighting Ltd, Grant Way, Isleworth, Middlesex, TW7 5QD, United Kingdom.
Tel: +44 (0)181 560 3171 Fax: +44 (0)181 568 2103

Wolfenbüttel: Strand Lighting GmbH, Salzbergerstrasse 2, 38302 Wolfenbüttel-Salzdahlum, Germany
Tel: +49 5331 30080 Fax: +49 5331 78883

Rome: Strand Lighting Italia Srl, Via delle Gardenie 33, 00040 Pomezia, Roma, Italy
Tel: +39 (0)6 914 7123 Fax: +39 (0)6 914 7136

Brussels: Strand Lighting Ltd, Chaussée de Haecht 1801, 1130 Bruxelles, Belgium
Tel: +32 (0)2 245 8686 Fax: +32 (0)2 245 2235

Stockholm: Strand Lighting Ltd, Box 20105, Tappvägen 24, 161 02 Bromma, Stockholm, Sweden
Tel: +46 (0)8 799 6950 Fax: +46 (0)8 799 6954

Hong Kong: Strand Lighting Asia Limited, 7/F Corporation Square, 8 Lam Lok Street, Kowloon Bay, Kowloon, Hong Kong
Tel: +852 2757 3033 Fax: +852 2757 1767

ALSO FACILITIES IN: LOS ANGELES • NEW YORK • TORONTO

For more information on Strand products and World Wide facilities see our Web page

<http://www.strandlight.com>

The Company reserves the right to make any variation in design or construction to the equipment described. Strand™ and Strand Lighting™ are trade marks of the Strand Lighting Limited and Strand Lighting Inc Group of Companies.

© Copyright Strand Lighting Limited November 1996