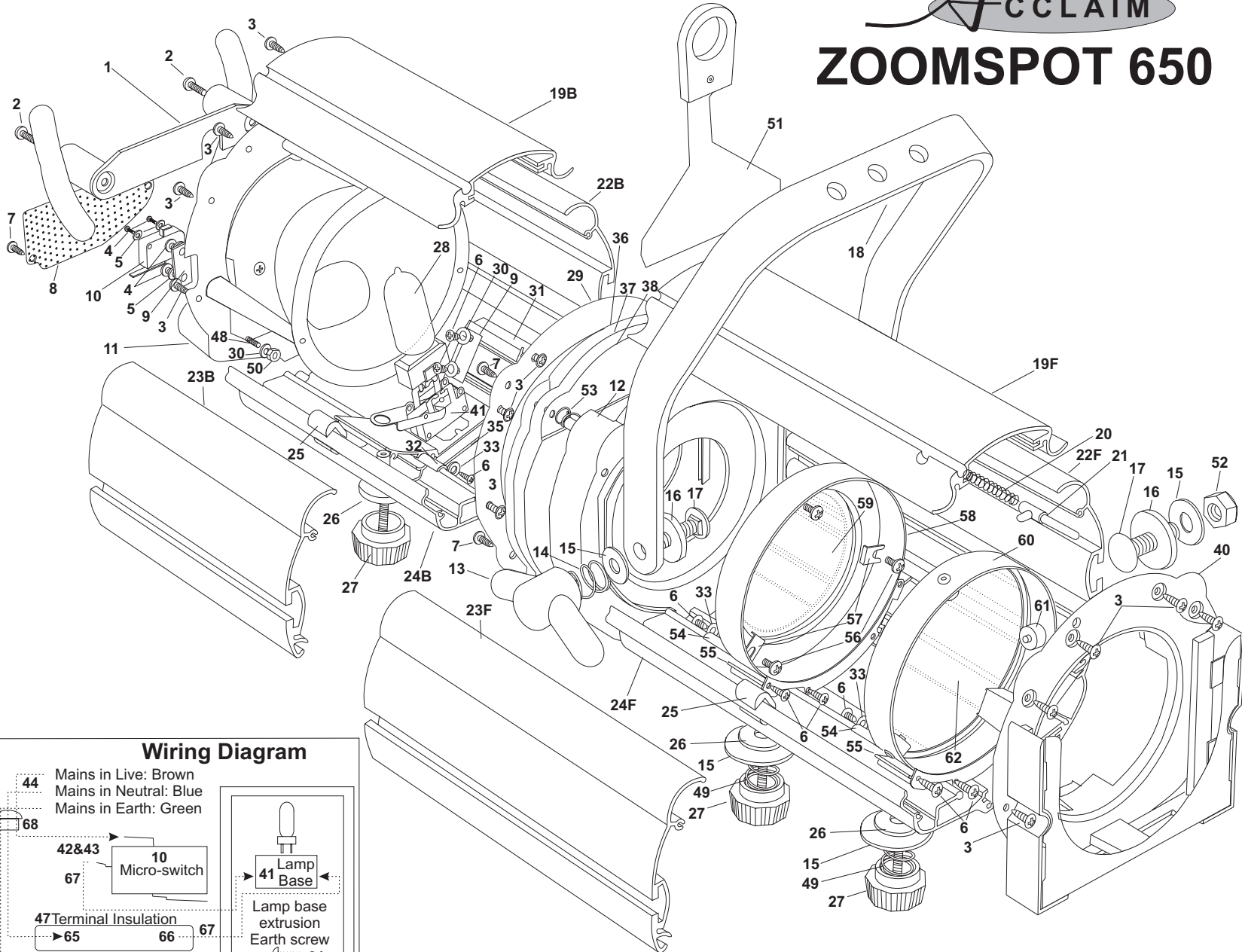


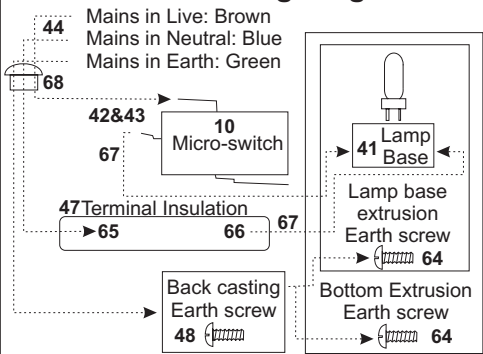
# SELECON

# ACCLAIM ZOOMSPOT 650



No	Code	Description
1	ACCPLA002	Acclaim Rear Handle
2		Screw M4 x 16 PP
3		Screw M6x1/2 s.tapping type AB
4		Screw M3x16 PP 5.5mm shank
5		Washer M3 shakeproof
6		Screw M8x3/8 s.tapping type AB
7		Screw 6 x 3/8 PK Pan Pozi
8	ACCPLA005	Switch Cover
9		Cable Clamp
10	COMELE001	Micro-switch
11	ACCCAS001REF	Back cast & Reflector assembly
12	ACCCAS003	Acclaim Central casting
13	ACCPLA001	Acclaim side handle
14	ACCSPR005	Acclaim locking clamp spring
15		Washer 21mm o/d x 1.6 Flat
16		Washer M8 Fibre
17		Yoke bolt M8 x 25 cup head
18	ACCYOK003	Acclaim Zoomspot Yoke
19	ACCEXT002	Top extrusion (Front & Back)
20	ACCSPR001	Gel frame retention pin spring
21	ACCMET009	Gel frame retention pin
22	ACCEXT008	Side/door extrusion (Front, Back)
23	ACCEXT003	Side extrusion (Front & Back)
24	ACCEXT004	Door extrusion (Front & Back)
25	ACCEXT007	Acclaim door clip extrusion
26		Red fibre Thrust washer
27	COMPLA001	Lamp tray knob, Hi temperature Lamp T27
28		Lamp T27
29	ACCSTHT007	Zoomspot shutter end plate
30		Washer M4 shakeproof
31	ACCEXT005	Lamp tray extrusion
32	ACCEXT001-1	Acclaim lamp tray bearing
33		Washer M4 x 9mm Flat
34		Copper braid earth wire
35	ACCSTHT015	Acclaim bottom light lead baffle
36	ACCSTHT008	Zoomspot shutter plate 1
37	ACCSTHT009	Zoomspot shutter plate 2
38	ACCSTHT010	Zoomspot shutter plate 3
39		Earth lug
40	ACCCAS002	Acclaim Front casting
41	ACELE002	Lamp base G.Y.9.5
42		Terminal spade type Female 4.8
43		Terminal Insulator
44	ACCLOOM007	3 core .75mm silicon cable
45		Screw 8x5/16 s/tapper PP ZP
46		Fibre glass 6mm i/d wire sleeve
47		Connector Insulation Box
48		Screw M4 x 12 PP MT
49		Lens knob tensioning spring
50		M4 Hex Nut
51	1200SHT016	Acclaim Zoomspot shutter
52		M8 Nylock nut
53	ACCSPR009	Shutter tensioning spring
54	ACCEXT001-2	Acclaim Profile Bearing
55	ACCEXT005-2	Acclaim Lens support extrusion
56		Screw M4 x 8
57	ACCSPR006	Acclaim Medium rear lens clip
58	ACCSPIN003	ACZS medium spinning
59	ACCLLEN006/010	Rear Lens, 010=Medium, 006=Wide
60	ACCSPIN004	ACZS medium/ wide spinning
61	1200PLA008	ZS1200 lens rubber
62	ACCLLEN007/009	Front Lens, 009=Medium, 007=Wide
63	ACCSTHT014	Acclaim rear light leak baffle
64		Screw M3.5 x 10 Thread Forming
65		Terminal Spade type Male 6.3
66		Terminal Spade type Female 6.3
67		SD550 Insulation Sleeve
68	COMPLA004	Acclaim Trumpet Cable Gland

## Wiring Diagram



SELECON Luminaire detail Sheet Product: Acclaim Zoomspot Product code: 12ACZSMSL & 12ACZSWMSL

SELECON 26 Putiki St, Auckland, New Zealand Ph: 64-9-360 1718 Fax: 64-9-360 1719

Drawing Date: 19/9/2008