

# Acclaim 4 Inch 6°-60° White Fresnel



**A general purpose Fresnel for theatre, small studio and display lighting in a white exterior high heat coating with black interior finish.**

The adjustable cone of light has a soft edge, easily blended with adjacent beams to provide even illumination.

A one-year limited warranty on paint color stability is offered on this product.

## Features

Wide range of beam angle from 6°-60°.

Adjustable yoke balance point.

'Swing-down' door for easy access to lamp or cleaning.

Captive lamp / reflector focus system moves on brass bearing provides smooth focus movement.

Rear grab-handle doubles as handy cable storage.

Permanently attached safety cable ensures that this important safety requirement is always on hand.

Integral micro-switch provides automatic disconnection of power to the fixture when opening to relamp, preventing a student or technician inserting a lamp into an electrically live fixture.

Three year warranty.

## Approvals

ETL / cETL listed to UL 1573.

## Lamps: 120V

**300W FKW**  
7,800 lumens      200hrs average life

**575W Ushio**  
JCS120V-575WC      300hrs average life

**575W Ushio**  
JCS120V-575WX      1500hrs average life

**650W FRK**  
16,900 lumens      200hrs average life

## Ordering information

**12ACFMSWH**      Acclaim Fresnel, white

**20BDMFW**      Barndoor, 4 way - white  
**20BDMFWB**      Barndoor, 4 way - white exterior / black interior flaps

**15ACSM**      Lens safety mesh  
**20CFMFW**      Spare color frame, white  
**USCLAMP**      Spare US theatrical C-clamp

For connector options please specify the following suffixes when ordering:

**-GR** NEMA 5-15P Grounded Edison

**-GP** 20A Stage Pin Plug

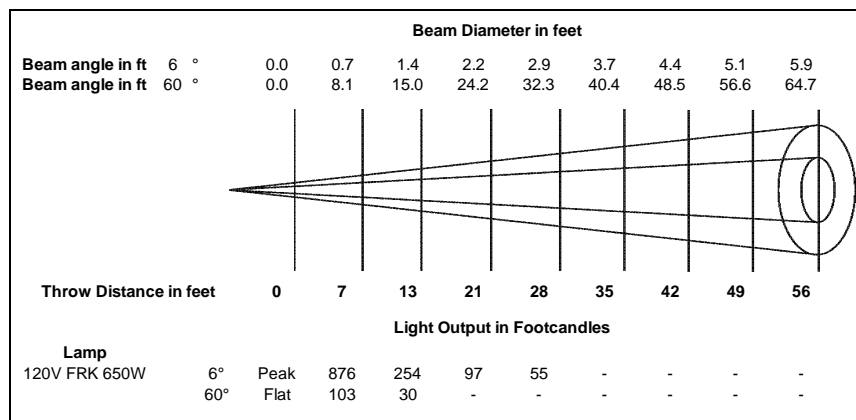
**-GTL** NEMA L5-20P Twist-Lock

## SPECIFICATION SUBMITTAL

CONSULTANT: <input type="text"/>	PROJECT NAME: <input type="text"/>	MODEL NUMBER   QUANTITY: <input type="text"/> <input type="text"/> <input type="text"/> <input type="text"/> <input type="text"/> <input type="text"/>
DATE: <input type="text"/>	PROJECT NUMBER: <input type="text"/>	APPROVED BY: <input type="text"/>

## Photometric data

Tests conducted using standard Philips lamps.



For Lux please multiply Fc by 10.7

## Physical data

### North America

10911 Petal Street  
Dallas, Texas 75238  
Tel: +1 214 647 7880  
Fax: +1 214 647 8030

267 5th Ave, 4th Floor  
New York, NY 10016  
Tel: +1 212 213 8219  
Fax: +1 212 532 2593

### New Zealand

19-21 Kawana Street  
Northcote, Auckland 0627  
Tel: +64 9 481 0100  
Fax: +64 9 481 0101

### Hong Kong

Room 6-10  
20/F Delta House  
3 On Yiu Street  
Shatin, N.T.  
Tel: +852 2757 3033  
Fax: +852 2757 1767

### European Service & Distribution Centre

Marssteden 152  
Enschede 7547 TD  
the Netherlands  
Tel: +31 53 450 0424  
Fax: +31 53 450 0425

Weight: 6lb 3oz

Packed weight: 7lb

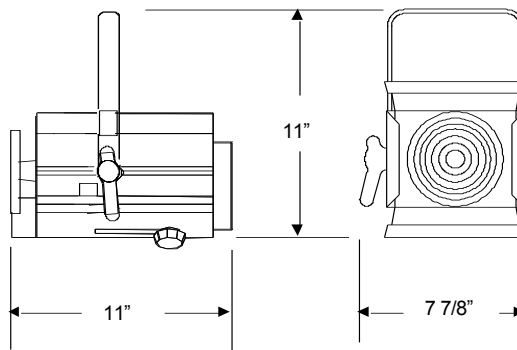
Carton size: 16 1/2" x 8 7/8" x 7"

Carton size cubic: 0.016

Color frame size: 4 7/8" x 4 7/8"

AC supply cable: 36"

Included: 1x color frame, 1x safety cable, 1x C-clamp and instruction sheet.



© Philips Group 2010

All rights reserved.

The Company reserves the right to make any variation in design or construction to the equipment described.  
E&OE

110810NA

**PHILIPS**  
**Selecon**