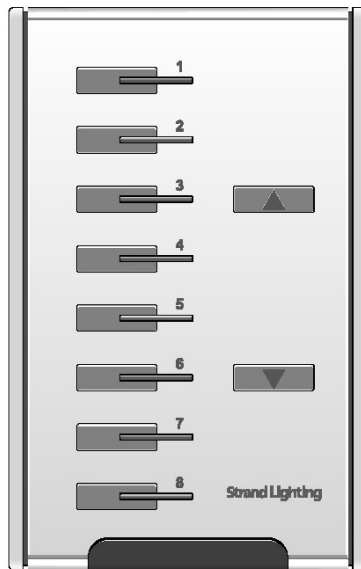


Strand Lighting Inc.

Accent Station Operation Guide



Strand Lighting Part # 2-450172-010
Issue Date: 11-Nov-2008

1.0 TABLE OF CONTENTS

1.0	TABLE OF CONTENTS.....	2
2.0	INTRODUCTION	4
3.0	OUTLOOK vs. ACCENT STATIONS.....	4
4.0	ACCENT SYSTEM DESIGN RULES	4
5.0	ACCENT CABLING REQUIREMENTS	5
5.1	ACCENT CABLING REQUIREMENTS – OPTION A TWISTED PAIR.....	5
5.2	ACCENT CABLING REQUIREMENTS – OPTION B CAT5	6
6.0	ACCENT POWER SUPPLY RULES	7
7.0	ACCENT STATION FRONT VIEWS	8
8.0	ACCENT INFRA-RED REMOTE CONTROL	9
9.0	ACCENT STATION REAR VIEW	10
10.0	ACCENT STATION-TO-STATION WIRING DIAGRAM	11
11.0	ACCENT STATION DIMENSIONS	12
12.0	ACCENT DIP SWITCH SETTINGS.....	13
13.0	PUSH BUTTON STATION PROGRAMMING	14
	General Operation	14
	To Enter Programming Mode.....	14
	Basic Button Syntax.....	14
	Example 1 – Recording A Preset.....	15
	Example 2 – Modifying A Channel Level Via The Command Pad	15
	Example 3 – Modifying A Channel Level Via the ▲ and ▼ buttons.....	15
	Example 4– Setting A Fade Time	15
	Exiting Program Mode	15
14.0	ROOM COMBINE ("LINK/UNLINK") STATION PROGRAMMING.....	17
15.0	ACCENT A/V INTERFACE.....	19
15.1	ACCENT A/V INTERFACE RS485 COMMUNICATION SETTINGS	24
15.2	ACCENT A/V INTERFACE SERIAL INPUT COMMANDS	25
	Call Preset.....	25
	Call Blackout	25
	Level Decrement.....	26
	Panel Lock	26
	Panel Unlock.....	26
	Set Preset (Enter Record mode).....	27
	Complete Preset (Exit Record mode).....	27
	Level increment (Record mode).....	27
	Level decrement (Record mode)	28
	Channel section Preset setup (Same level for the Channel segment)	28
	Preset Channel 1 - 7	28
	Preset Channel 8 - 14	29
	Preset Channel 15 - 21	29
	Preset Channel 22 - 28	29
	Preset Channel 29 - 35	30
	Preset Channel 36 - 42	30
	Preset Channel 43 – 48	30
15.3	ACCENT A/V INTERFACE SERIAL OUTPUT COMMANDS	31
	Request Report Status.....	31
	Report Active Room & Preset.....	31
	Report Preset Channel 1 - 7	31
	Report Preset Channel 8 - 14	32

Strand Lighting

6603 Darin Way - Cypress, CA 90630

Tel: 714-230-8200 Fax: 714-899-0042

www.strandlighting.com

Strand Lighting®

Report Preset Channel 15 - 21	32
Report Preset Channel 22 - 28	32
Report Preset Channel 29 - 35	33
Report Preset Channel 36 - 42	33
Report Preset Channel 43 - 48	33
16.0 ACCENT PART NUMBERS	34

2.0 INTRODUCTION

Thank you for choosing Strand Lighting Accent control stations. We trust that the equipment will provide you with reliable service for many years.

Strand Lighting can assure you that every effort has been made to ensure that the equipment has been designed to meet the highest professional standards and it has been assembled, inspected, and tested in accordance with our strict quality assurance program.

Should you encounter any problems or difficulties, please contact the nearest Strand Lighting service representative. For a complete list of Strand Lighting offices and service centers, see the back of this manual or our Web site (www.strandlighting.com).

Accent is an extremely versatile architectural control system, providing simple Preset programming and recall from a single control surface. This guide covers the programming and operation of the stations.

3.0 OUTLOOK vs. ACCENT STATIONS

Please note that while Strand Lighting Outlook/Outlook VN and Accent stations look physically similar, they use different communication protocols, and cannot be combined on the same cable topology.

4.0 ACCENT SYSTEM DESIGN RULES

Accent control stations can be used as a stand-alone control system. A separate architectural processor is not required. Accent control stations generate DMX512 and are able to control any DMX512 compatible dimming system.

- A total of 8 rooms can be controlled in a single system.
- Each of the 8 rooms can control up to 48 separate Channels.
- Do not connect more than 8 stations per data cable run.
- Different rooms can be connected on the same data cable run.
- DMX512 dimmer ranges 481-512 are reserved for inter-station communication, and should not be assigned to dimmers.

5.0 ACCENT CABLING REQUIREMENTS

Accent supports “daisy chain” data cable topologies. This means that the one cable runs from the dimmer rack to the first Accent control stations in the system, and another cable runs from the first Accent control station to the second Accent control station. It is not permissible to have branching, runs, stub runs or “Y” cable connections in the cable plan.

- Do not install control wiring in the same conduits or boxes as line voltage wiring!
- Do not install more than 1000 feet (300 meters) total of cable in system design.

5.1 ACCENT CABLING REQUIREMENTS – OPTION A TWISTED PAIR

Each Accent control station requires a data connection (one Belden 9829) and a power connection (two #16 AWG or 1.5 mm²).

Cable Type	Color Code	Signal
Belden 9829	Shield/Drain	Signal Common
Belden 9829	White/Blue	DMX Data -
Belden 9829	Blue/White	DMX Data +
Belden 9829	White/Orange	Not Connected
Belden 9829	Orange/White	Not Connected
#16 AWG (1.5 mm ²)	Black	+12V
#16 AWG (1.5 mm ²)	White	Common

5.2 ACCENT CABLING REQUIREMENTS – OPTION B CAT5

Each Accent control station requires a data connection (one Belden 1583A) and a power connection (one Belden 1583A).

Cable Type	Color Code	Signal
Belden 1583A #1	White/Blue	Signal Common
Belden 1583A #1	Blue/White	Signal Common
Belden 1583A #1	White/Orange	DMX Data -
Belden 1583A #1	Orange/White	DMX Data +
Belden 1583A #1	White/Green	Not Connected
Belden 1583A #1	Green/White	Not Connected
Belden 1583A #1	White/Brown	Not Connected
Belden 1583A #1	Brown/White	Not Connected
Belden 1583A #2	White/Blue	+12VDC
Belden 1583A #2	Blue/White	+12VDC
Belden 1583A #2	White/Orange	+12VDC
Belden 1583A #2	Orange/White	+12VDC
Belden 1583A #2	White/Green	Common
Belden 1583A #2	Green/White	Common
Belden 1583A #2	White/Brown	Common
Belden 1583A #2	Brown/White	Common

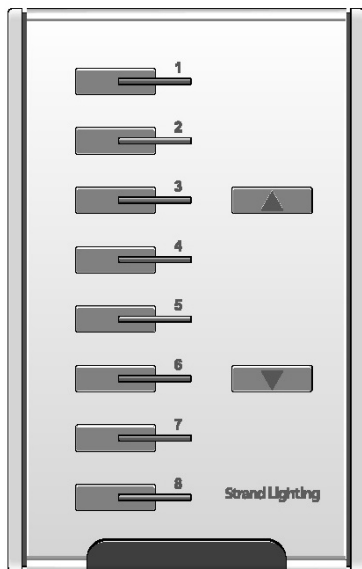
6.0 ACCENT POWER SUPPLY RULES

Each Accent control station draws 150ma and needs to be connected to a power supply capable of delivering +12 to +18V to each station location. Strand Lighting power supply 63206 is suitable for this task.

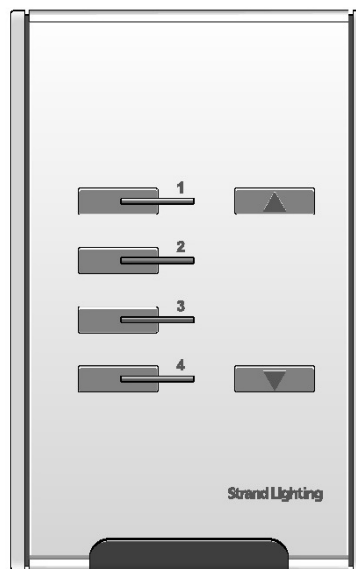
When utilizing Category 5 network cabling (as detailed in Section 5.2 of this document), a higher voltage (+15 to +18V) power supply is recommended to offset the voltage drop limitations of the smaller gauge conductors.

Use only 12V to 18V power supplies for Accent Stations. Please note that most Strand Lighting dimmer racks are shipped with internal 24V power supplies to power Outlook or Outlook VN stations. If Accent stations are connected to the internal dimmer rack power supply, damage may occur to the Accent control station. Utilize the external Accent power supply (63206) when designing Accent systems.

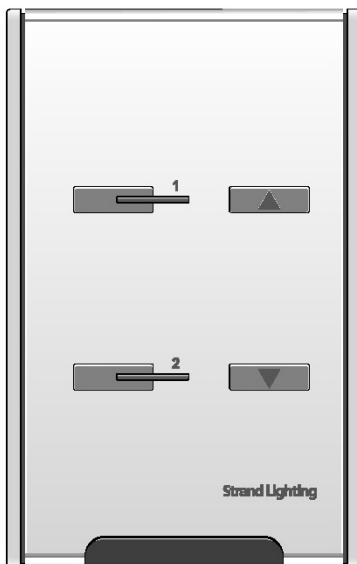
7.0 ACCENT STATION FRONT VIEWS



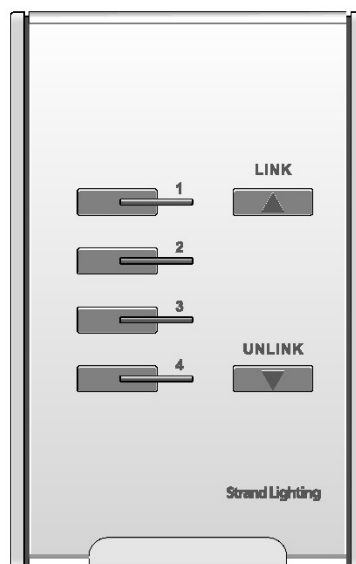
63200



63201

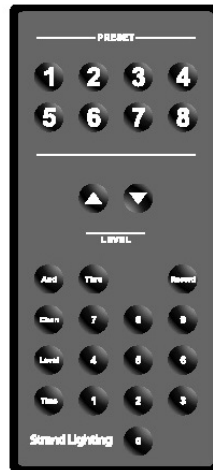


63202



63205

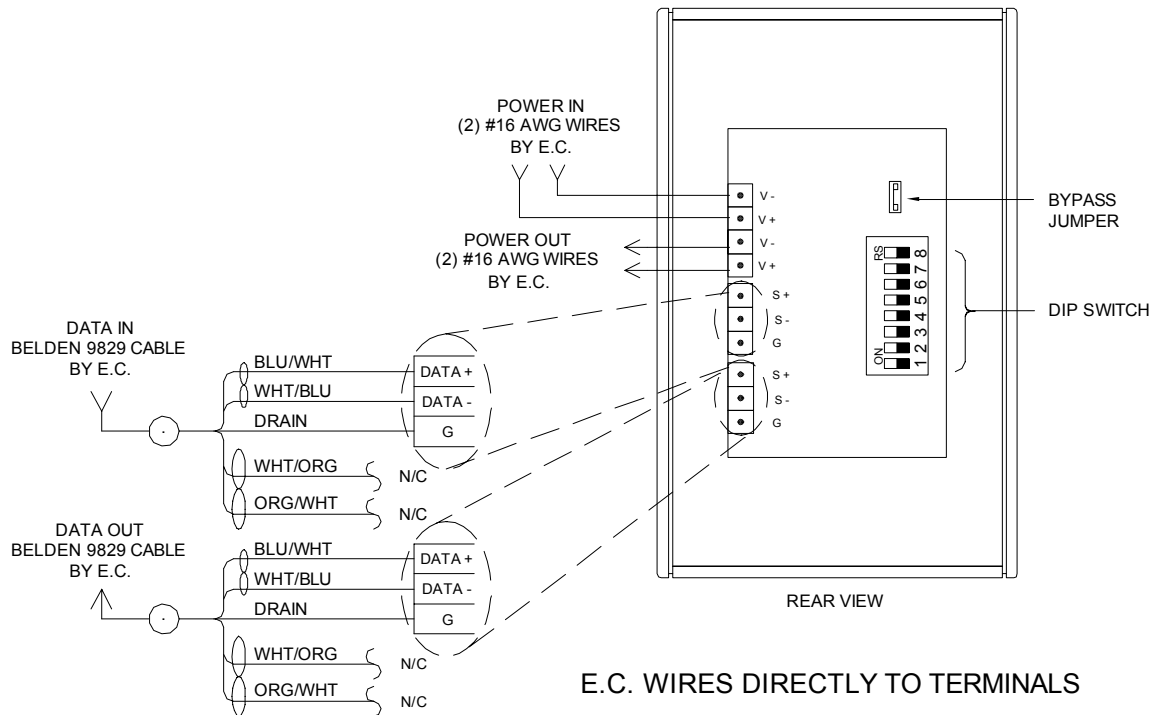
8.0 ACCENT INFRA-RED REMOTE CONTROL



63203

The Accent Infra-Red Remote Control consists of eight Preset buttons, a raise button, a lower button, and sixteen command buttons. Please note that an Infra-Red Remote is included with each Accent button station, except for the Accent Room Combine Station.

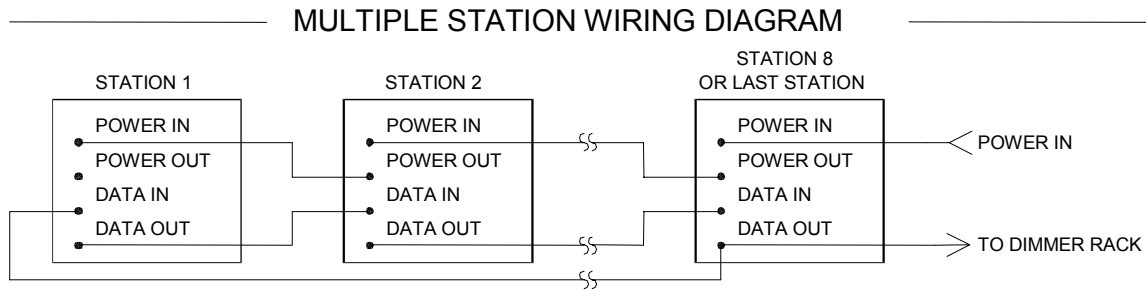
9.0 ACCENT STATION REAR VIEW



For ease of installation each Accent control station uses separate terminals for input and output daisy chain wiring. There is no need to install multiple conductors under the same terminal block, unless you are utilizing CAT5 cabling as detailed in section 5.2 of this manual.

The BYPASS JUMPER (located at J1) should always be installed. Removing the bypass jumper disables the station in the control chain.

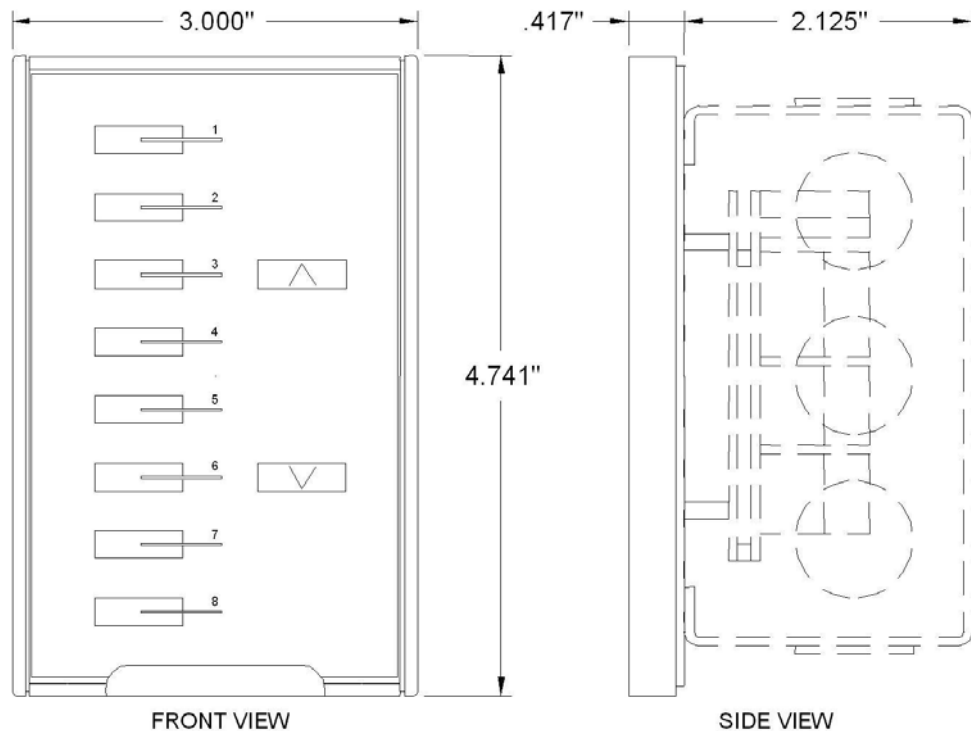
10.0 ACCENT STATION-TO-STATION WIRING DIAGRAM



Important Note: In order for proper station operation, please be sure that the data in and out pairs “swap” between stations. This will maintain the proper transmit and receive connections required for inter-station communication.

Additionally, a cable must “loop” back from the last station in the chain, to the first station in the chain. This is required for inter-station communication. There are no exceptions to this requirement when two or more stations are installed regardless of the room the station is assigned to.

11.0 ACCENT STATION DIMENSIONS



Accent stations utilize standard North American Steel Outlet/Switch back boxes. In North America, your system installer should plan on supplying back boxes. In all other Strand Lighting regions a back box is included with the Accent station.

12.0 ACCENT DIP SWITCH SETTINGS

SW1-SW4 – Room Number

Room #	Switch 1	Switch 2	Switch 3	Switch 4	Channels	DMX512
1	ON	OFF	OFF	OFF	1-48	1-48
2	OFF	ON	OFF	OFF	1-48	49-96
3	ON	ON	OFF	OFF	1-48	97-144
4	OFF	OFF	ON	OFF	1-48	145-192
5	ON	OFF	ON	OFF	1-48	193-240
6	OFF	ON	ON	OFF	1-48	241-288
7	ON	ON	ON	OFF	1-48	289-336
8	OFF	OFF	OFF	ON	1-48	337-384

SW5-SW7 – Station Identification Number Within Each Room

Station ID	Switch 5	Switch 6	Switch 7
0	OFF	OFF	OFF
1	ON	OFF	OFF
2	OFF	ON	OFF
3	ON	ON	OFF
4	OFF	OFF	ON
5	ON	OFF	ON
6	OFF	ON	ON
7	ON	ON	ON

Station ID needs to be set when multiple Accent stations are used in the same room.

SW 8 – Future Feature Development

Future	Switch 8
FEATURE ENABLED	ON
FEATURE DISABLED	OFF

SW 8 is reserved for future development, and must be set to “OFF” for the station to function.

13.0 PUSH BUTTON STATION PROGRAMMING

Each Accent station (except for the room combine station) is supplied with a hand held infrared control unit. The Infrared remote control is used to program the Accent 2, 4 or 8-button control station. The IR remote works by using a low frequency light beam. This beam is so low that the human eye cannot see it, but the IR receiver in the Accent control station can detect it.

General Operation

There are 8 dedicated Preset pushbuttons (marked **1, 2, 3, 4, 5, 6, 7, 8**).

There are also raise & lower keys (marked ▲ for “raise” and ▼ for “lower”) on the center of the remote unit. Their function is identical to the raise & lower keys on the Accent control station.

At the bottom is a command group of buttons (**AND, CHAN, LEVEL, TIME, THRU, RECORD, 1, 2, 3, 4, 5, 6, 7, 8**) for manipulating Channel levels and fade times.

To Enter Programming Mode

To enter programming mode, press and hold the ▲ and ▼ buttons simultaneously on the control station (not the ▲ and ▼ buttons on the infrared remote control) for approximately 3 seconds until all the control station Preset LED's and IR LED start blinking. The blinking LED's indicate that the control station is now in programming mode. Release the ▲ and ▼ buttons. The LED's will stop flashing and turn off. The control station is now in programming mode.

Basic Button Syntax

Select the Preset number button to be changed from the remote unit and then enter the new data in the following sequence:

CHAN, XX, THRU (or AND), XX, LEVEL, YY, TIME, ZZ, RECORD

Please note that **XX** and **ZZ** can be either single or double digits (Channel 1 can be entered as 01 or just 1), but **YY** must be entered as double digits (a 9% level must be entered as 09).

Example 1 – Recording A Preset

This example will record Preset 1 to contain Channel 1 and 47 at a 55% level with a 5 second fade time.

Press the Preset 1 button on the top of the remote control to select Preset 1 (please note that the LED for Preset 1 will blink continuously), followed by:

CHAN, 1, AND, 4, 7, LEVEL, 5, 5, TIME, 5, RECORD

Example 2 – Modifying A Channel Level Via The Command Pad.

This example will change Channels 5 through 10 to a 0% level without changing the fade time on Preset 4.

Press the Preset 4 button on the top of the remote control to select Preset 4 (please note that the LED for Preset 4 will blink continuously), followed by:

CHAN, 5, THRU, 10, LEVEL, 0, 0, RECORD

Example 3 – Modifying A Channel Level Via the ▲ and ▼ buttons.

This example will adjust the level of Channel 3 & 7 in Preset 4.

*Press the Preset 4 button on the top of the remote control to select Preset 4 (please note that the LED for Preset 4 will blink continuously), and then press **CHAN, 3, AND, 7** and either the ▲ or ▼ level keys until they reach the desired level, then press **RECORD**.*

Example 4– Setting A Fade Time

This example will set the fade time to 10 seconds (the default time for Accent is 3 seconds) on Preset 2.

*Press the Preset 2 button on the top of the remote to select Preset 2 (please note that the LED for Preset 2 will blink), follow by: **TIME, 1, 0, RECORD***

Exiting Program Mode

To exit programming mode, press and hold the ▲ and ▼ buttons simultaneously on the control station (not the ▲ and ▼ buttons on the infrared remote control) for approximately 3 seconds until all the control station Preset LED's and IR LED start blinking. Then release the ▲ and ▼ buttons. When the station resumes normal operation all LED's will be off, however the last programmed Preset (even

without a record operation) will still be live. Select any preset from either the control station or the infrared remote control.

Please Note

Any changed level will be immediately displayed after the level value is entered (without pressing the record key). If incorrect value was entered, just re-enter the data or exit the programming mode and the original data will be retained.

There is no cancel button or display to show the data being entered. The red LED on the bottom of the control station will blink whenever a successful key press has been received. When in doubt, re-enter the data or exit programming mode. No data will be recorded unless the Record key is pressed.

Important:

- Do not set any dimmer address to DMX512 range 481 to 512, when utilizing Accent control stations. These DMX512 dimmer ranges are utilized for Accent control station identification and flagging data exchanges between control stations.
- DMX dimmer ranges for the Accent system run between 1 and 384, but the Channel range for each Accent room is 1 thru 48.
- There is automatic direct copying of the recorded Presets between one control station and another, when the stations are configured to be within the same room.
- Accent supports time fades between 0 and 99 seconds. Time fades are always entered in seconds. The default fade time is 3 seconds.

14.0 ROOM COMBINE ("LINK/UNLINK") STATION PROGRAMMING

The Accent 63205 Room combine station provides the ability to "combine" up to four rooms that contain Accent 2, 4, and 8-button control stations

General Operation

There are 4 dedicated Room push buttons (labeled 1,2,3,4) and their associated LED's on the station. Although an Accent system may contain as many as eight rooms, only the first four rooms may be combined.

There are also a set of buttons labeled "Link" and "Unlink". These are used to set the Link/Unlink room combine settings.

Operationally, there are three link possible room combine settings:

No Links - none of the four rooms are combined and the link LED's will not illuminate, indicating that no links are programmed.

Single Group Linked - Two, three or four rooms are linked. LED's for rooms that are linked will illuminate.

Dual Group Linked - Any of the four rooms are in linked in pairs, creating two sets of rooms. The two sets of room LED's will alternately flash, indicating which rooms are linked to each other.

To Link Rooms

Press the **Link** button to access the room combine linking program.

Press up to four room buttons (**1, 2, 3, 4**) to establish the desired room links.

Press the **Link** button to save the configuration, and to exit the linking program.

To UnLink Rooms

Press the **Unlink** button to access the room combine unlinking program.

Press up to four room buttons (**1, 2, 3, 4**) to unlink.

Press the **Unlink** button to save the configuration, and to exit the unlinking program.

General Notes

While in programming mode, if no button is pressed within 60 seconds, the room combine station will automatically exit programming mode, returning to it's previously established room links.

While in the linking program, you can abandon the current linking operation by pressing **UNLINK**.

Dip Switch Settings

There is a 4-position dip switch on the rear of the station to set the Station Identification Number. SW4 is not used.

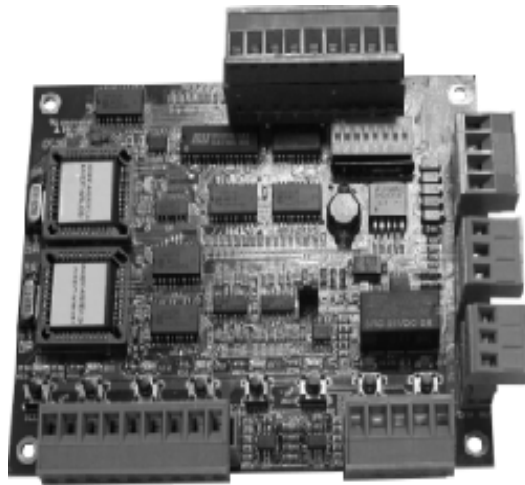
SW1-SW3 – Station Identification Number

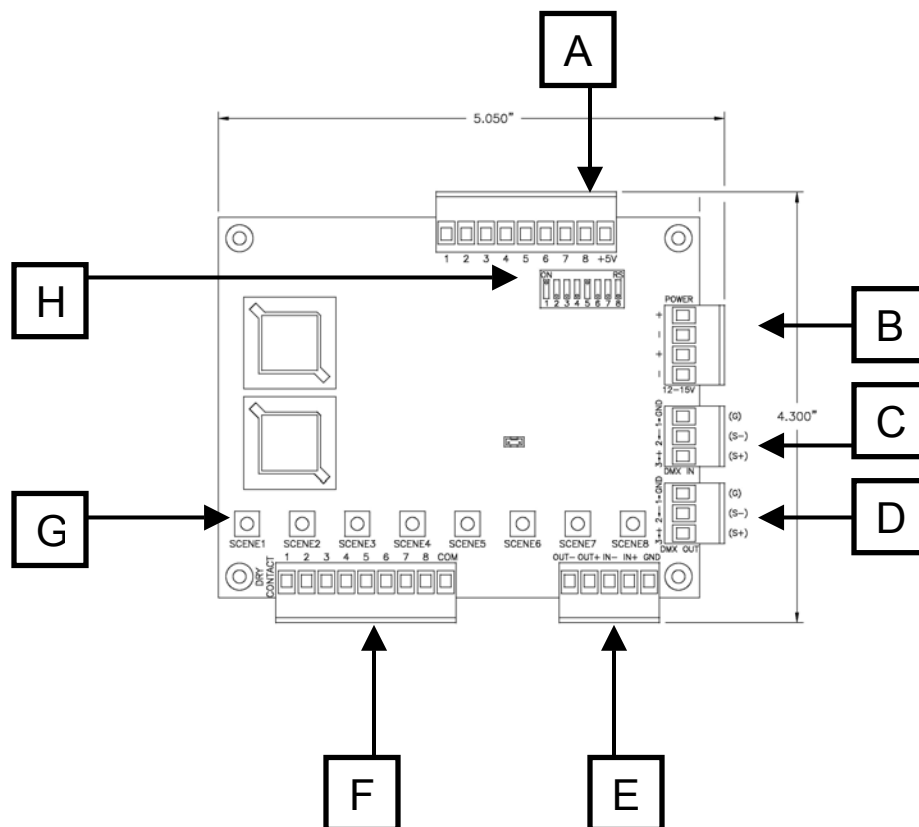
Room #	Switch 1	Switch 2	Switch 3
1	ON	OFF	OFF
2	OFF	ON	OFF
3	ON	ON	OFF
4	OFF	OFF	ON

15.0 ACCENT A/V INTERFACE

The Accent A/V Interface can accept 8 momentary dry contact closures from a third-party control system to fire the 8 presets within the Accent system. It also contains an extremely powerful RS485 interface that can playback Presets, lockout button stations, control individual channel levels, and provide status reporting.

This Accent A/V interface is provided as a printed circuit board (63204) and is also available with an enclosure (63204SE).





- A.) J7 - LED Mimic Connector
- B.) J4 - Power Connector
- C.) J3 - DMX In Connector
- D.) J2 - DMX Out Connector
- E.) J6 - RS485 Connector
- F.) J5 - Dry Contact Closure Connector
- G.) Preset/Preset Playback Buttons
- H.) AD1 Dipswitch

J7 LED Mimic Connector

Pin #	Function
1	Preset 1 Mimic
2	Preset 2 Mimic
3	Preset 3 Mimic
4	Preset 4 Mimic
5	Preset 5 Mimic
6	Preset 6 Mimic
7	Preset 7 Mimic
8	Preset 8 Mimic
9	+5V

J4 Power Connector

Pin #	Function
1	+12VDC
2	Common
3	+12VDC
4	Common

J3 DMX In Connector

Pin #	Function
1	Signal Common
2	DMX Data -
3	DMX Data +

J2 DMX Out Connector

Pin #	Function
1	Signal Common
2	DMX Data -
3	DMX Data +

J6 RS485 Connector

Pin #	Function
1	Signal Common
2	RS485 RXD +
3	RS485 RXD -
4	RS485 TXD +
5	RS485 TXD -

J5 Dry Contact Closure Connector

Pin #	Function
1	Preset/Preset 1 Closure
2	Preset/Preset 2 Closure
3	Preset/Preset 3 Closure
4	Preset/Preset 4 Closure
5	Preset/Preset 5 Closure
6	Preset/Preset 6 Closure
7	Preset/Preset 7 Closure
8	Preset/Preset 8 Closure
9	Signal Common

Preset/Preset Playback Buttons

The AV interface has 8 Preset buttons on the printer circuit board. Pressing on of the Preset buttons will play the associated preset. The last preset played will be saved when the power to the system is turned off. When the system is re-powered an Accent A/V interface with the Station ID of "0" will playback the last selected Presets/preset.

AD1 Dipswitch Settings

AD1- AD4 - Room Number

Room #	Switch 1	Switch 2	Switch 3	Switch 4	Channels	DMX512
1	ON	OFF	OFF	OFF	1-48	1-48
2	OFF	ON	OFF	OFF	1-48	49-96
3	ON	ON	OFF	OFF	1-48	97-144
4	OFF	OFF	ON	OFF	1-48	145-192
5	ON	OFF	ON	OFF	1-48	193-240
6	OFF	ON	ON	OFF	1-48	241-288
7	ON	ON	ON	OFF	1-48	289-336
8	OFF	OFF	OFF	ON	1-48	337-384

AD5-AD7 – Station Identification Number Within Each Room

Station ID	Switch 5	Switch 6	Switch 7
0	OFF	OFF	OFF
1	ON	OFF	OFF
2	OFF	ON	OFF
3	ON	ON	OFF
4	OFF	OFF	ON
5	ON	OFF	ON
6	OFF	ON	ON
7	ON	ON	ON

15.1 ACCENT A/V INTERFACE RS485 COMMUNICATION SETTINGS

When connecting the Accent A/V Interface RS485 port to a show control or building management system, the following serial parameters should be used.

115200 Baud
8 bit data
1 start bit
1 stop bit
No parity

Please note that the delay between data packets must be greater than 10mS.

Logical Message Protocol 9 byte packet, Checksum = Negative 8 bit 2's complement sum of bytes 0-7. All numbers in hexadecimal:

Bytes 1 – 8 should be split into high and low byte, which means that 1 command serial string equals 17 (1 + 16) total bytes.

Example Serial String

[82] [04] [0E] [05] [08] [00] [00] [00] [00] [00] [00] [00] [00] [00] [00] [0D] [08]

This string performs a Level Increment command adding a value of 78 with a fade time of 88 seconds.

Byte 0 : 82H	(Level Increment Command)
Byte 1: Up offset 78 = 4EH	(B1High = 04H, B1Low = 0EH)
Byte 2: Fade time 88 = 58H	(B2High = 05H, B2Low = 08H)
Byte 3: Null = 00H	(B3High = 00H, B3Low = 00H)
Byte 4: Null = 00H	(B4High = 00H, B4Low = 00H)
Byte 5: Null = 00H	(B5High = 00H, B5Low = 00H)
Byte 6: Null = 00H	(B6High = 00H, B6Low = 00H)
Byte 7: Null = 00H	(B7High = 00H, B7Low = 00H)
Byte 8: Checksum	(82+4E+58+00+00+00+00+00=0128H, 2's complement = D8H)

15.2 ACCENT A/V INTERFACE SERIAL INPUT COMMANDS

Call Preset

Byte 0: 80H (Command)
Byte 1: 01 – 08H (Preset number 1 – 8)
Byte 2: 00 – 63H (Fade time 00 – 99 sec)
Byte 3: 00 – FFH (Level Master)
Byte 4: Null
Byte 5: Null
Byte 6: Null
Byte 7: Null
Byte 8: Checksum

Call Blackout

Byte 0 : 81H (Command)
Byte 1: 00 – 63H (Fade time 00 – 99 sec)
Byte 2: Null
Byte 3: Null
Byte 4: Null
Byte 5: Null
Byte 6: Null
Byte 7: Null
Byte 8: Checksum

Level Increment

Byte 0 : 82H (Command)
Byte 1: 01 – FFH (Up offset, add value 1 – 255)
Byte 2: 00 – 63H (Fade time 00 – 99 sec)
Byte 3: Null
Byte 4: Null
Byte 5: Null
Byte 6: Null
Byte 7: Null
Byte 8: Checksum

Level Decrement

Byte 0 : 83H (Command)
Byte 1: 01 – FFH (Down offset, reduce value 1 - 255)
Byte 2: 00 – 63H (Fade time 00 – 99 sec)
Byte 3: Null
Byte 4: Null
Byte 5: Null
Byte 6: Null
Byte 7: Null
Byte 8: Checksum

Panel Lock

Byte 0 : 85H (Command)
Byte 1: 00 – 08H (Room ID 0 – 7, 08H: All panels)
Byte 2: Null
Byte 3: Null
Byte 4: Null
Byte 5: Null
Byte 6: Null
Byte 7: Null
Byte 8: Checksum

Panel Unlock

Byte 0 : 86H (Command)
Byte 1: 00 – 08H (Room ID 0 – 7, 08H: All panels)
Byte 2: Null
Byte 3: Null
Byte 4: Null
Byte 5: Null
Byte 6: Null
Byte 7: Null
Byte 8: Checksum

Set Preset (Enter Record mode)

Byte 0 : 87H (Command)
Byte 1: 01 – 08H (Preset number 1 – 8)
Byte 2: 00 – 63H,FEH (Fade time 00 – 99 sec, 0FEH: keep the default
Byte 3: Null (preset fade time)
Byte 4: Null
Byte 5: Null
Byte 6: Null
Byte 7: Null
Byte 8: Checksum

Complete Preset (Exit Record mode)

Byte 0 : 88H (Command)
Byte 1: Null
Byte 2: Null
Byte 3: Null
Byte 4: Null
Byte 5: Null
Byte 6: Null
Byte 7: Null
Byte 8: Checksum

Level increment (Record mode)

Byte 0 : 8AH (Command)
Byte 1: 01 – FFH (Up offset, add value 1 – 255)
Byte 2: Null
Byte 3: Null
Byte 4: Null
Byte 5: Null
Byte 6: Null
Byte 7: Null
Byte 8: Checksum

Level decrement (Record mode)

Byte 0 : 8BH (Command)
Byte 1: 01 – FFH (Down offset, reduce value 1 - 255)
Byte 2: Null
Byte 3: Null
Byte 4: Null
Byte 5: Null
Byte 6: Null
Byte 7: Null
Byte 8: Checksum

Channel section Preset setup (Same level for the Channel segment)

Byte 0: 8CH (Command)
Byte 1: 01 – 30H (Start Channel 1 - 48)
Byte 2: 01 – 30H (End Channel 1 - 48)
Byte 3: 00 – FFH (Level)
Byte 4: Null
Byte 5: Null
Byte 6: Null
Byte 7: Null
Byte 8: Checksum

In between Channels codes:-
Channel 1-48, level at FEH = don't care

Preset Channel 1 - 7

Byte 0 : 8DH (Command)
Byte 1: 00 – FFH (Channel 1 Level)
Byte 2: 00 – FFH (Channel 2 Level)
Byte 3: 00 – FFH (Channel 3 Level)
Byte 4: 00 – FFH (Channel 4 Level)
Byte 5: 00 – FFH (Channel 5 Level)
Byte 6: 00 – FFH (Channel 6 Level)
Byte 7: 00 – FFH (Channel 7 Level)
Byte 8: Checksum

Preset Channel 8 - 14

Byte 0 : 8EH (Command)
Byte 1: 00 – FFH (Channel 8 Level)
Byte 2: 00 – FFH (Channel 9 Level)
Byte 3: 00 – FFH (Channel 10 Level)
Byte 4: 00 – FFH (Channel 11 Level)
Byte 5: 00 – FFH (Channel 12 Level)
Byte 6: 00 – FFH (Channel 13 Level)
Byte 7: 00 – FFH (Channel 14 Level)
Byte 8: Checksum

Preset Channel 15 - 21

Byte 0 : 8FH (Command)
Byte 1: 00 – FFH (Channel 15 Level)
Byte 2: 00 – FFH (Channel 16 Level)
Byte 3: 00 – FFH (Channel 17 Level)
Byte 4: 00 – FFH (Channel 18 Level)
Byte 5: 00 – FFH (Channel 19 Level)
Byte 6: 00 – FFH (Channel 20 Level)
Byte 7: 00 – FFH (Channel 21 Level)
Byte 8: Checksum

Preset Channel 22 - 28

Byte 0 : 90H (Command)
Byte 1: 00 – FFH (Channel 22 Level)
Byte 2: 00 – FFH (Channel 23 Level)
Byte 3: 00 – FFH (Channel 24 Level)
Byte 4: 00 – FFH (Channel 25 Level)
Byte 5: 00 – FFH (Channel 26 Level)
Byte 6: 00 – FFH (Channel 27 Level)
Byte 7: 00 – FFH (Channel 28 Level)
Byte 8: Checksum

Preset Channel 29 - 35

Byte 0 : 91H (Command)
Byte 1: 00 – FFH (Channel 29 Level)
Byte 2: 00 – FFH (Channel 30 Level)
Byte 3: 00 – FFH (Channel 31 Level)
Byte 4: 00 – FFH (Channel 32 Level)
Byte 5: 00 – FFH (Channel 33 Level)
Byte 6: 00 – FFH (Channel 34 Level)
Byte 7: 00 – FFH (Channel 35 Level)
Byte 8: Checksum

Preset Channel 36 - 42

Byte 0 : 92H (Command)
Byte 1: 00 – FFH (Channel 36 Level)
Byte 2: 00 – FFH (Channel 37 Level)
Byte 3: 00 – FFH (Channel 38 Level)
Byte 4: 00 – FFH (Channel 39 Level)
Byte 5: 00 – FFH (Channel 40 Level)
Byte 6: 00 – FFH (Channel 41 Level)
Byte 7: 00 – FFH (Channel 42 Level)
Byte 8: Checksum

Preset Channel 43 – 48

Byte 0: 93H (Command)
Byte 1: 00 – FFH (Channel 43 Level)
Byte 2: 00 – FFH (Channel 44 Level)
Byte 3: 00 – FFH (Channel 45 Level)
Byte 4: 00 – FFH (Channel 46 Level)
Byte 5: 00 – FFH (Channel 47 Level)
Byte 6: 00 – FFH (Channel 48 Level)
Byte 7: Null
Byte 8: Checksum

15.3 ACCENT A/V INTERFACE SERIAL OUTPUT COMMANDS

When the Host sends a request of 094H, the Accent A/V interface will respond by outputting the following eight status reporting codes with 50mS between each status report.

Request Report Status

Byte 0: 94H (Command)
Byte 1: Null
Byte 2: Null
Byte 3: Null
Byte 4: Null
Byte 5: Null
Byte 6: Null
Byte 7: Null
Byte 8: Checksum

Report Active Room & Preset

Byte 0: B0H (Command)
Byte 1: 01 – 0AH (Room 1 - 8)
Byte 2: 01 – 08H (Preset 1 – 8)
Byte 3: Null
Byte 4: Null
Byte 5: Null
Byte 6: Null
Byte 7: Null
Byte 8: Checksum

Report Preset Channel 1 - 7

Byte 0: B1H (Command)
Byte 1: 00 – FFH (Channel 1 Level)
Byte 2: 00 – FFH (Channel 2 Level)
Byte 3: 00 – FFH (Channel 3 Level)
Byte 4: 00 – FFH (Channel 4 Level)
Byte 5: 00 – FFH (Channel 5 Level)
Byte 6: 00 – FFH (Channel 6 Level)
Byte 7: 00 – FFH (Channel 7 Level)
Byte 8: Checksum

Report Preset Channel 8 - 14

Byte 0: B2H (Command)
Byte 1: 00 – FFH (Channel 8 Level)
Byte 2: 00 – FFH (Channel 9 Level)
Byte 3: 00 – FFH (Channel 10 Level)
Byte 4: 00 – FFH (Channel 11 Level)
Byte 5: 00 – FFH (Channel 12 Level)
Byte 6: 00 – FFH (Channel 13 Level)
Byte 7: 00 – FFH (Channel 14 Level)
Byte 8: Checksum

Report Preset Channel 15 - 21

Byte 0: B3H (Command)
Byte 1: 00 – FFH (Channel 15 Level)
Byte 2: 00 – FFH (Channel 16 Level)
Byte 3: 00 – FFH (Channel 17 Level)
Byte 4: 00 – FFH (Channel 18 Level)
Byte 5: 00 – FFH (Channel 19 Level)
Byte 6: 00 – FFH (Channel 20 Level)
Byte 7: 00 – FFH (Channel 21 Level)
Byte 8: Checksum

Report Preset Channel 22 - 28

Byte 0: B4H (Command)
Byte 1: 00 – FFH (Channel 22 Level)
Byte 2: 00 – FFH (Channel 23 Level)
Byte 3: 00 – FFH (Channel 24 Level)
Byte 4: 00 – FFH (Channel 25 Level)
Byte 5: 00 – FFH (Channel 26 Level)
Byte 6: 00 – FFH (Channel 27 Level)
Byte 7: 00 – FFH (Channel 28 Level)
Byte 8: Checksum

Report Preset Channel 29 - 35

Byte 0: B5H (Command)
Byte 1: 00 – FFH (Channel 29 Level)
Byte 2: 00 – FFH (Channel 30 Level)
Byte 3: 00 – FFH (Channel 31 Level)
Byte 4: 00 – FFH (Channel 32 Level)
Byte 5: 00 – FFH (Channel 33 Level)
Byte 6: 00 – FFH (Channel 34 Level)
Byte 7: 00 – FFH (Channel 35 Level)
Byte 8: Checksum

Report Preset Channel 36 - 42

Byte 0: B6H (Command)
Byte 1: 00 – FFH (Channel 36 Level)
Byte 2: 00 – FFH (Channel 37 Level)
Byte 3: 00 – FFH (Channel 38 Level)
Byte 4: 00 – FFH (Channel 39 Level)
Byte 5: 00 – FFH (Channel 40 Level)
Byte 6: 00 – FFH (Channel 41 Level)
Byte 7: 00 – FFH (Channel 42 Level)
Byte 8: Checksum

Report Preset Channel 43 – 48

Byte 0: B7H (Command)
Byte 1: 00 – FFH (Channel 43 Level)
Byte 2: 00 – FFH (Channel 44 Level)
Byte 3: 00 – FFH (Channel 45 Level)
Byte 4: 00 – FFH (Channel 46 Level)
Byte 5: 00 – FFH (Channel 47 Level)
Byte 6: 00 – FFH (Channel 48 Level)
Byte 7: Null
Byte 8: Checksum

16.0 ACCENT PART NUMBERS

Strand Part #	Description
63200	Accent 8 Button Station (includes one 63203)
63201	Accent 4 Button Station (includes one 63203)
63202	Accent 2 Button Station (includes one 63203)
63203	Accent Hand Held Infrared Control Unit.
63204	Accent A/V Interface
63204SE	Accent A/V Interface W/Enclosure
63205	Accent Room Combine ("Link/Unlink") Station
63206	Accent Remote Power Supply

Strand Lighting Offices

Strand Lighting Asia
Unit 2006-2010, 20/F Delta House,
3 On Yiu Street
Shatin, N.T. Hong Kong
Tel: (852) 2757 3033
Fax: (852) 2757 1767

Strand Lighting Inc.
6603 Darin Way,
Cypress, CA 90630, USA
Tel: (714) 230-8200
Fax: (714) 230-8173

Strand Lighting Europe
Unit 2 Royce Road, Fleming Way
Crawley, West Sussex RH10 9JY
United Kingdom
Tel: 44-129-355-0280

The material in this manual is for information purposes only and is subject to change without notice. Strand Lighting assumes no responsibility for any errors or omissions, which may appear in this manual. For comments and suggestions regarding corrections and/or updates to this manual, please contact the nearest Strand Lighting office.

El contenido de este manual es solamente para información y está sujeto a cambios sin previo aviso. Strand Lighting no asume responsabilidad por errores o omisiones que puedan aparecer. Cualquier comentario, sugerencia o corrección con respecto a este manual, favor de dirigirlo a la oficina de Strand Lighting más cercana.

Der Inhalt dieses Handbuches ist nur für Informationszwecke gedacht, Änderungen sind vorbehalten. Strand Lighting uebernimmt keine Verantwortung für Fehler oder Irrtümer, die in diesem Handbuch auftreten. Für Bemerkungen und Verbesserungsvorschläge oder Vorschläge in Bezug auf Korrekturen und/oder Aktualisierungen in diesem Handbuch, moechten wir Sie bitten, Kontakt mit der naechsten Strand Lighting-Niederlassung aufzunehmen.

Le matériel décrit dans ce manuel est pour information seulement et est sujet à changements sans préavis. La compagnie Strand Lighting n'assume aucune responsabilité sur toute erreur ou omission inscrite dans ce manuel. Pour tous commentaires ou suggestions concernant des corrections et/ou les mises à jour de ce manuel, veuillez s'il vous plait contacter le bureau de Strand Lighting le plus proche.

Copyright 2008, Strand Lighting. All rights reserved.

Information contained in this document may not be duplicated in full or in part by any person without prior written approval of Strand Lighting Ltd. Its sole purpose is to provide the user with detailed installation information for the equipment supplied. The use of this document for all other purposes is specifically prohibited.