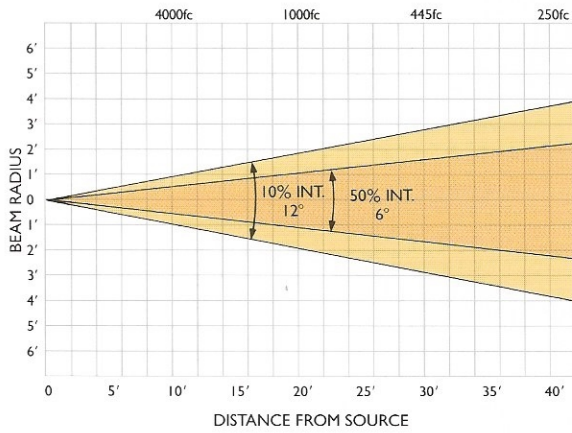


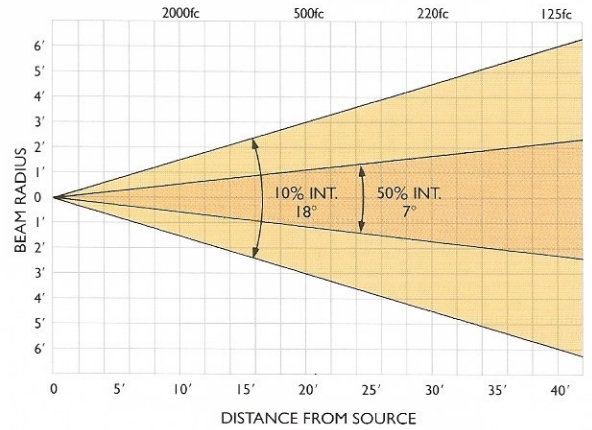
VL3 WASH LUMINAIRE

The VL3™ wash luminaire is a multipurpose, soft-edge instrument incorporating the unique Dichro*Tune™ color tuning system, variable beam diameter, and a tungsten light source. Automated and programmable, it is designed for applications where ACLs, PARs and Fresnels are typically used.

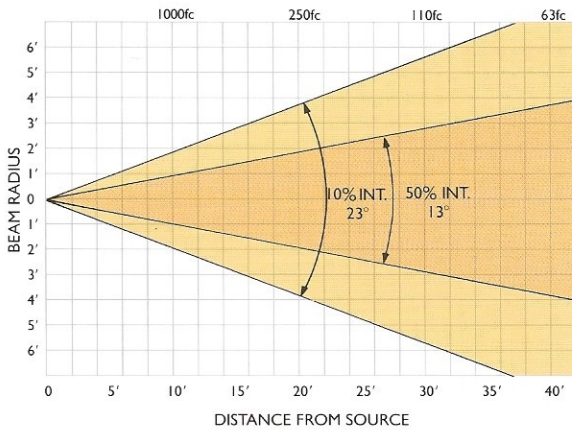
VL3 — NARROW BEAM INTENSITY (CENTER BEAM)



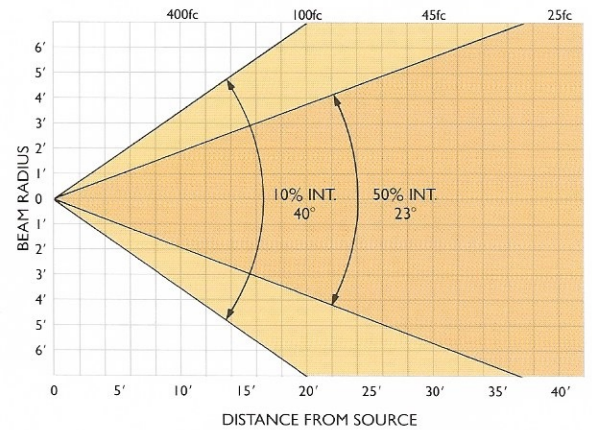
VL3 — FLOOD INTENSITY (CENTER BEAM)



VL3 — NARROW BEAM INTENSITY (CENTER BEAM) WITH DIFFUSING GLASS PANELS



VL3 — FLOOD INTENSITY (CENTER BEAM) WITH DIFFUSING GLASS PANELS



VL3 WASH LUMINAIRE

Dichro*Tune™ color tuning system produces a continuous range of dichroic colors from light pastels to rich saturated hues at variable speed

Consistent color from one luminaire to the next

475 watt, 53V tungsten source (3200°K) custom designed by Venture Lighting International

Low-voltage efficiency produces 1000 foot-candles at 20 feet, comparable to a 1000 watt PAR lamp

Low-voltage dimmer in each luminaire

Variable beam size from broad wash to narrow beam

Soft edge beam

270° tilt and 360° pan

Luminaire Dimensions: (see line drawings)

Weight: 58 lbs

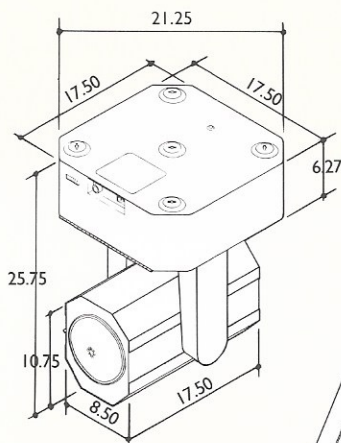
Two-Luminaire Case: 42 x 23 x 37

Weight: 245 lbs with luminaires

Four-Luminaire Case: 83 x 23 x 37

Weight: 460 lbs with luminaires

All dimensions given are in inches.



HANGING METHODS
All dimensions given are in inches.

