

Strong

TROUPERETTE

II

QUARTZ-BROMINE

FOLLOW SPOTLITE



TYPE
NO. 45002

From the Light Development Laboratories of Strong Electric Corp.

The Troupette II Spotlite features a Quartz-Bromine Halogen Lamp that increases light output over conventional 1000 watt incandescent projection bulbs. An efficient lens and reflector system designed especially for use with the Quartz-Bromine Lamp results in high intensity light and excellent color rendition. The Troupette II utilizes Strong's **exclusive** variable focal length lens system which increases intensity as light beam is reduced from flood to spot. Light output remains stable throughout the life of the lamp. Built in A.C. blower keeps lamp and color frames cool and adds to operator's comfort. Unique pivot design permits relamping in seconds.

Features

- Choice of Quartz-Bromine Lamp . . . 600 watt-75 hour or 650 watt-25 hour.
- More light with less power consumption . . . draws 5-6 amps.
- Exclusive single lever controlled two element variable focal length lens system.
- Horizontal masking control with 45° angle adjustment.
- Nichrome heavy duty iris.
- Simple to operate built-in six color boomerang.
- Excellent color rendition.
- Quick relamp design.
- Attractive Blue Hammerloid baked enamel finish.
- 115 volt A.C. operation . . . equipped with 25 ft. 3 wire cable.

TROUPERETTE III

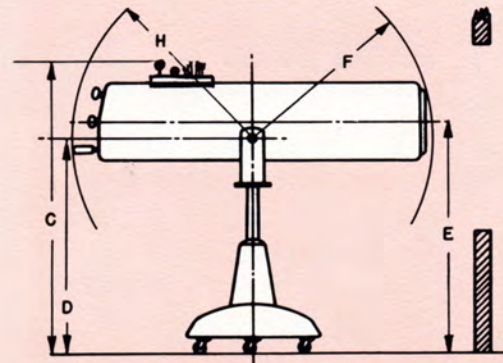
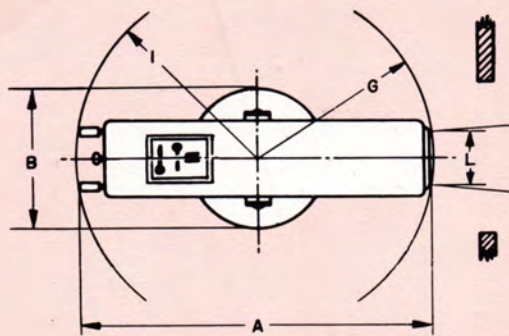
Light Data and Specifications

TYPE
NO. 45002

VARIABLE LENS SYSTEM PERFORMANCE AT VARIOUS DISTANCES WITH 650 WATT LAMP

| MAXIMUM FLOOD | | | SMALL SPOT | | MIN. SPOT DIA. WITH IRIS | |
|---------------|---------------|--------------|------------|--------------|--------------------------|--------------|
| Throw In Feet | Diameter Feet | Foot Candles | Diameter | Foot Candles | Diameter | Foot Candles |
| 10 | 4.1 | 300 | 18 in. | 2600 | | |
| 15 | 6.2 | 150 | 24 in. | 1300 | | |
| 20 | 8.2 | 90 | 30 in. | 830 | | |
| 30 | 12.7 | 40 | 42 in. | 370 | | |
| 40 | 16.4 | 25 | 55 in. | 220 | | |
| 60 | 24.6 | 11 | 83 in. | 104 | 17½ in. | 96 |
| 80 | 32.8 | 6 | 9.2 ft. | 58 | 23 in. | 55 |
| 90 | 36.9 | 5 | 9.8 ft. | 47 | 26 in. | 45 |
| 100 | 41 | 4 | 10.9 ft. | 37 | 29 in. | 35 |
| 120 | 49.2 | 2.5 | 13.3 ft. | 27 | 32 in. | 26 |
| 140 | 57.4 | 2 | 15.4 ft. | 20 | 38 in. | 18 |

NOTE: ALSO AVAILABLE WITH 600 WATT LAMP



| Letter | Description | Dimension | Letter | Description | Dimension |
|--------|--|-----------|--------|---|-----------|
| A | Overall length of unit..... | 33" | *K | Maximum height at front with maximum upward tilt..... | 57" |
| B | Overall width of unit at base..... | 26" | L | Diameter of beam at unit..... | 7" |
| *C | Overall height of unit..... | 52" | M | Maximum diameter of beam with 100' throw..... | 42" |
| *D | Height of pivot point..... | 41" | N | Minimum diameter of beam with 100' throw..... | 32" |
| *E | Height of beam axis when horizontal..... | 44" | | *Measurements shown with spotlight at lowest height. Spotlight base provides variable adjustment upward of 25 inches. | |
| F | Front clearance radius for vertical movement..... | 17" | | Maximum downward tilt..... | 36° |
| G | Front clearance radius for horizontal movement..... | 17" | | Maximum upward tilt..... | 32° |
| H | Rear clearance radius for vertical movement..... | 16" | | Horizontal sweep..... | 360° |
| I | Rear clearance radius for horizontal movement..... | 16" | | Net weight..... | 74 lbs. |
| *J | Maximum height at rear with maximum downward tilt..... | 55" | | Gross weight..... | 90 lbs. |
| | | | | Domestic pack carton..... | 41X18X17 |

DISTRIBUTED BY:

SINGER
LIGHTING PRODUCTS

The Strong Electric Corporation
87 City Park Avenue
P. O. Box 1003
Toledo, Ohio 43601
(419) 248-3741

**Scanned From The Collection Of
Rick R. Zimmerman**