

Strong

For

- TRAVELING SHOWS
- HIGH SCHOOLS
- FRATERNAL ORDERS
- CONVENTION HALLS

High Intensity

Carbon Arc **TROUPER**

FOLLOW SPOTLIGHTS



- RESTAURANTS
- MUSEUMS
- FAIRGROUNDS
- UNIVERSITIES
- AUDITORIUMS
- NIGHT CLUBS
- HOTELS
- ARENAS
- COLLEGES
- THEATRES
- COLISEUMS
- RINKS

CS.I. 1197

THE STRONG ELECTRIC CORPORATION

87 CITY PARK AVENUE • TOLEDO, OHIO 43601

A Subsidiary of The SINGER Company

TROUPER FOLLOW SPOTLIGHT SPECIFICATIONS

- LAMPHOUSE NO. 48000, FINISHED IN A DURABLE GRAY FINISH
- OPTICAL SYSTEM NO. 51000 AND COLOR BOOMERANG
- BASE-YOKE ASSEMBLY NO. 49000, SELF-CONTAINED POWER CONVERSION UNIT, OPERATES FROM STANDARD 115 VOLT OUTLET, DRAWS 10 AMPERES

Lamphouse includes a heavy duty on-off power switch, door operated pilot light to provide illumination for operator retrimming, motor driven automatic feed mechanism to hold a trim (2 carbons) of 6mm x 7" AC carbons which operate for a total of one hour and twenty minutes before retrimming is required, silvered glass reflector horizontal and vertical adjustments, arcscope mirror and screen for maintaining image of the carbon arc, arc focus adjusting and manual feed control knob. Arc current is 21 volts and 45 Amperes with a color temperature of 6500° Kelvin. Other voltages and/or Hz available.

Optical system includes horizontal masking control, nichrome steel iris, and an EXCLUSIVE 2 element variable focal length lens system controlled by one lever.

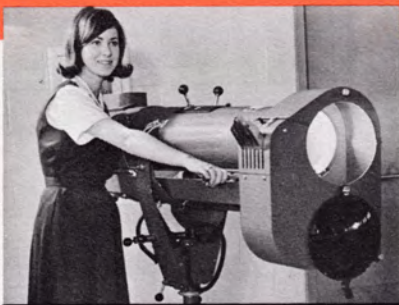
This EXCLUSIVE lens system increases light intensity as spot sizes are decreased. A six color boomerang mounts on front of the lens mechanism.

Spotlight base has power conversion unit, 12 feet of 14-3 rubber covered power lead and 2 wire adapter, 8 position tap switch to adjust for variances in AC line voltage, indicating meter, provisions for adjustment in spotlight height and vertical and horizontal movement, 3 rubber casters and 3 adjustable feet for stationary positioning.

ACCESSORIES:

- 51829 Ultraviolet Filter for Blacklight Effects
- 51838-A Lobsterscope for Stroboscopic (Flicker) Effects. Motor Driven
- 51811 Color Temperature Filter (Reduce to 3200° K)
- 44902 Slide Projection Optical System (6½" - 20" focal lengths)
For 3¼ x 4 and 2 x 2 Slides
- 172 10¼" Metal Reflector
- CA-3 6mm x 7" AC Carbons (Pkg. of 50 or box of 250)

DESIGNED FOR THROWS



— High Schools



— Universities



— Traveling Shows



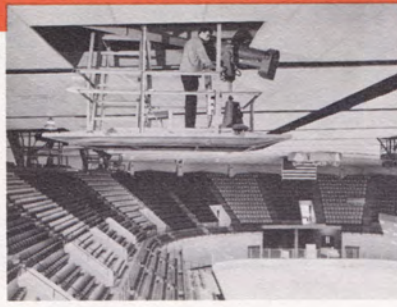
— Rinks

Stro

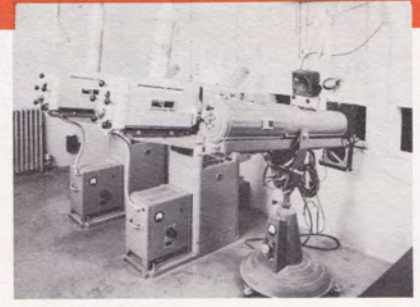




— **Convention Halls**



— **Arenas**



— **Museums**



— **Night Clubs**



— **Restaurants**



— **Fraternal Orders**



— **Theatres**



— **Coliseums**

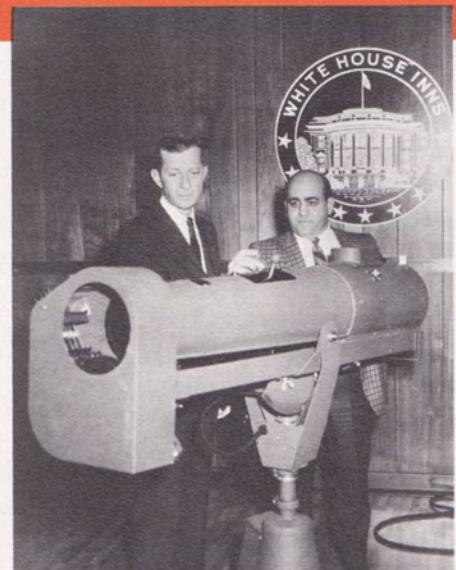


— **Fairgrounds**

OF 100 FEET OR MORE

ong Follow Spotlights

- **REQUIRE NO EXTRA EQUIPMENT.**
- **CUT OPERATING COSTS UP TO 73%.**
- **EXCLUSIVE LENS SYSTEM ELIMINATES WASTE OF LIGHT.**



— **Hotels**

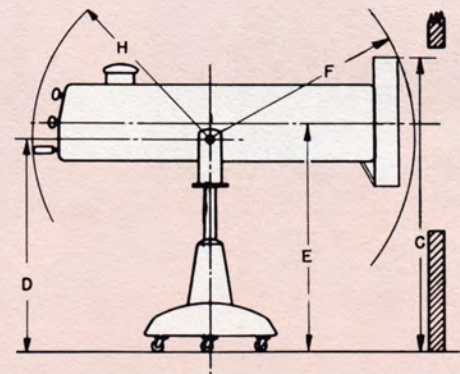
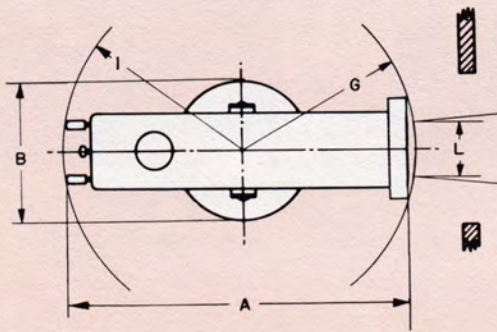
TROUPER SPOTLIGHT

TYPE
NO. 48000

Light Data and Specifications

VARIABLE LENS SYSTEM PERFORMANCE AT VARIOUS DISTANCES

MAXIMUM FLOOD			SMALL SPOT		MIN. SPOT DIA. WITH IRIS	
Throw In Feet	Diameter Feet	Foot Candles	Diameter	Foot Candles	Diameter	Foot Candles
10	5	300	15 in.	8500		
20	10	75	24 in.	3350		
40	20	20	43 in.	1000	11 in.	1000
60	30	9	62 in.	500	14 in.	500
80	40	5	83 in.	280	17 in.	280
100	50	3	103 in.	180	20 in.	180
120	60	2½	122 in.	130	23 in.	130
140	70	2	141 in.	95	26 in.	95
200	100	¾	198 in.	50	34 in.	50



Letter	Description	Dimension	Letter	Description	Dimension
A	Overall length of unit	.63"	*K	Maximum height at front with maximum upward tilt	.66"
B	Overall width of unit at base	.28"	L	Diameter of beam at unit	.7"
*C	Overall height of unit	.53"	M	Maximum diameter of beam with 100' throw	.50'
*D	Height of pivot point	.45"	N	Minimum diameter of beam with 100' throw	.20"
*E	Height of beam axis when horizontal	47½"			
F	Front clearance radius for vertical movement	32½"			
G	Front clearance radius for horizontal movement	.32"			
H	Rear clearance radius for vertical movement	.32"			
I	Rear clearance radius for horizontal movement	.32"			
*J	Maximum height at rear with maximum downward tilt	.72"			

*Measurements shown with spotlight at lowest height. Spotlight base provides variable adjustment upward of 12 inches.

Maximum downward tilt45°
 Maximum upward tilt25°
 Horizontal sweep360°
 Net weight 225 lbs.
 Gross weight 330 lbs.
 Base Carton, Dom. Pack31"x31"x49" high
 Lamp Box, Dom. Pack64"x17"x18" depth
 Color Boomerang, Dom. Pack20"x17"x8" depth

DISTRIBUTED BY:

SINGER
STRONG ELECTRIC

87 City Park Ave.
P.O. Box 1003
Toledo, Ohio 43601
(419) 248-3741

**Scanned From The Collection Of
Rick R. Zimmerman**