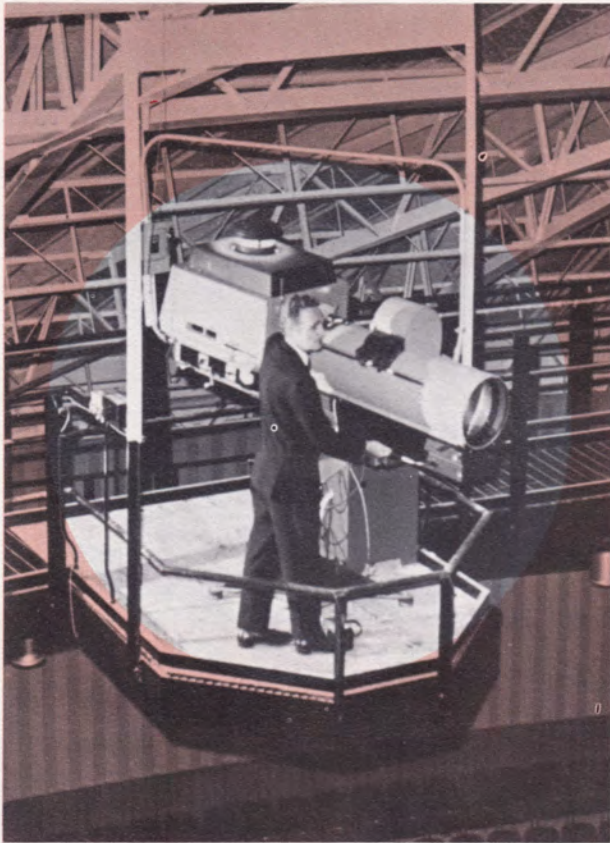


# Strong

# Gladiator



**THE WORLD'S MOST POWERFUL SPOTLIGHT**



**A HIGH INTENSITY D.C. CARBON ARC SPOTLIGHT**



**TARRANT CONVENTION CENTER \* FT. WORTH, TEXAS**

The GLADIATOR, the most powerful spotlight ever developed for the entertainment industry, projects an intense white light (color temperature approximately 5700 degree Kelvin) and is twice as bright as the next most powerful unit available.

The GLADIATOR, like all Strong spotlights, utilizes Strong's exclusive variable focal length lens system which increases intensity as the light beam is reduced from flood to spot. The GLADIATOR is designed to burn 11mm x 20" positives and  $\frac{3}{8}$ " x 9" negative carbons with a burning time of approximately 1 hour and 20 minutes per trim. The automatic carbon feed maintains a uniform arc gap which assures a perfect focus.

The quiet, fast acting color boomerang holds six color slides and ultra violet filter. The "UV" generated by the GLADIATOR is ideal for black light special effects. Other features include a horizontal masking control; dimming control and nichrome steel iris. GLADIATOR may be operated with an exhaust system.

The output of the silicon power supply can be regulated by dial switches. Adjustments for line phase unbalance and voltage fluctuation provided. Ventilation provided by fan.

## **SPECIFICATIONS Model No. 47000**

### **Type 93000 lamphouse**

75-110 D. C. Amperes, 48-61 D. C. Volts  
Automatic Carbon Feed  
18" Tufcold Reflector, Spec 197

### **Type 47000 Lens Mechanism & Base**

Six Color Boomerang and Ultra Violet Filter  
Variable Focal Length Lens System  
Horizontal Masking & Dimming Controls

### **Type 94000 Power Supply**

220 Volts AC, 3 Phase  
60 HZ, 23.5 Amperes  
50 HZ available upon request

Lobsterscope (accessory) available for creating stroboscopic effects.

**WRITE OR CALL YOUR DEALER FOR A DEMONSTRATION TODAY**



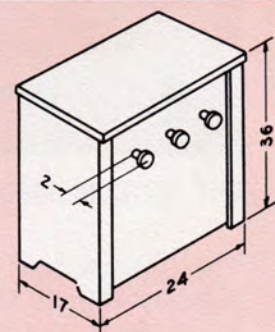
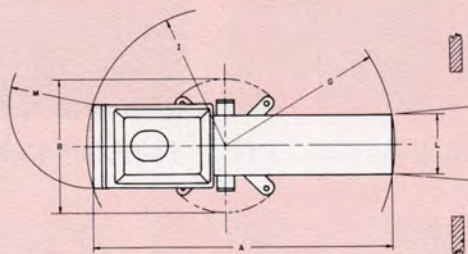
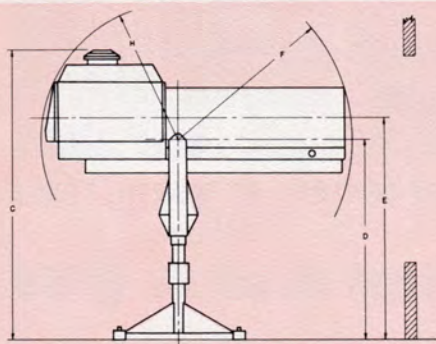
# GLADIATOR SPOTLIGHT TYPE NO. 47000

## Light Data and Specifications

### VARIABLE LENS SYSTEM PERFORMANCE AT VARIOUS DISTANCES

MAXIMUM FLOOD			SMALL SPOT		MIN. SPOT DIA. WITH IRIS	
Throw in Feet	Diameter Feet	Foot Candles	Diameter	Foot Candles	Diameter	Foot Candles
140	35	39	80 in.	1121	21 in.	1121
200	50	19	110 in.	600	27 in.	600
240	60	13	130 in.	429	31 in.	429
280	70	9.8	150 in.	322	35 in.	322
320	80	7.5	170 in.	250	39 in.	250
360	90	6	190 in.	200	43 in.	200
400	100	4.8	210 in.	164	47 in.	164
440	110	4	230 in.	137	51 in.	137
480	120	3.3	250 in.	116	55 in.	116
520	130	2.8	270 in.	99	59 in.	99
560	140	2.4	290 in.	86	63 in.	86
600	150	2.1	310 in.	75	67 in.	75

NOTE: USING ORANGE TIP POS. CARBON 11MM x 20' — L0110 @ 108-110 AMPS., NEG. 3/8" x 9" OROTIP—L1124



Letter	Description	Dimension	Letter	Description	Dimension	
A	Overall length of unit.....	80½"	*K	Maximum height at front with maximum upward tilt.....	78¾"	
B	Overall width of unit at base.....	41¾"	L	Diameter of beam at unit.....	11"	
*C	Overall height of unit.....	74¾"	M	Clearance radius for rear door.....	24"	
*D	Height of pivot point.....	50"	N	Maximum diameter of beam with 200' throw.....	50"	
*E	Height of beam axis when horizontal.....	53¾"	O	Minimum diameter of beam with 200' throw.....	27"	
F	Front clearance radius for vertical movement.....	46"	*Measurements shown with spotlight at lowest height. Spotlight base provides variable adjustment upward of 12 inches.			
G	Front clearance radius for horizontal movement.....	45"	Maximum downward tilt.....			45°
H	Rear clearance radius for vertical movement.....	36¼"	Maximum upward tilt.....			25°
I	Rear clearance radius for horizontal movement.....	37¼"	Horizontal sweep.....			360°
*J	Maximum height at rear with maximum downward tilt.....	83½"	Net weight.....			869 lbs.
			Gross weight.....			1263 lbs.
			Lamp box, domestic pack.....			32"x32"x45"
			Base Crate, domestic pack.....			33"x33"x57"
			Lens Mechanism, domestic pack.....			79"x26"x36"
			Power Supply, domestic pack.....			27"x22"x39"

DISTRIBUTED BY:

**SINGER**  
STRONG ELECTRIC

87 City Park Ave.  
P.O. Box 1003  
Toledo, Ohio 43601  
(419) 248-3741

**Scanned From The Collection Of  
Rick R. Zimmerman**