



## SPOT

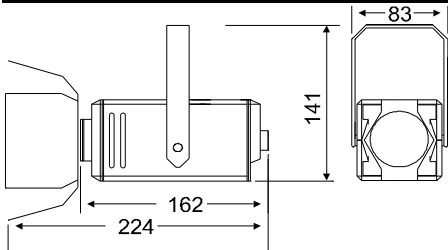
The Accent Spot is a low-voltage halogen luminaire for general purpose controlled lighting. The Accent Spot provides a beam of light which is ideal for area or display lighting. The lamp is mounted well back inside the luminaire to minimise distracting glare.

### FEATURES

- Uses standard MR16, 12 volt, 50 or 75 watt lamps available in beam angles ranging from 4° to 60°
- The beam can be shaped using the rotatable barn-door accessory
- Use colour from a wide choice of dichroic glass filters.
- Available in Black, White or Silver-Grey. Custom colours. Available with integral transformer. Auto reset fuse. Can be dimmed.
- Three circuit track adapter, ceiling mount rose.
- Compliant to CE standards.



### PHYSICAL DATA



Weight: 1.6 Kg (with transformer) Included: Instruction sheet

## SOLON RECESSED MOUNTING

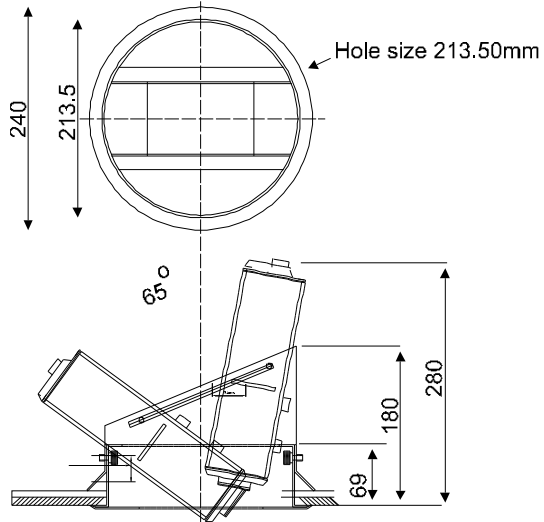
Allows recessed mounting of Accent Profile or Frodo Fresnel luminaires.

### FEATURES

- Access from below for relamping, focusing, etc.
- Available in Black, White or Custom colours
- Compliant to CE standards



### PHYSICAL DATA



### ORDER CODES & ACCESSORIES

Accent Spot with transformer Black	SA-ASB
Accent Spot with transformer White	SA-ASW
Accent Spot with transformer Grey	SA-ASG
Accent Barn door Black	SAA-BBS
Accent Barn door White	SAA-BBW
Accent Colour Frame Black	SAA-CFB
Accent Colour Frame White	SAA-CFW
3 circuit track mount adapter - black	SAA-TRAB
3 circuit track mount adapter - white	SAA-TRAW
Ceiling mount rose - white	SA - RW
- black	SA - RB
Solon Recessed Mounting Black	SA-SRAPB
Solon Recessed Mounting White	SA-SRAPW

Your Selecon Distributor

---