



PROFILE

The Accent profile 12v variable beam (30 - 46) profile luminaire. The Accent profile provides precise beam shaping and pattern projection from a compact sized luminaire.

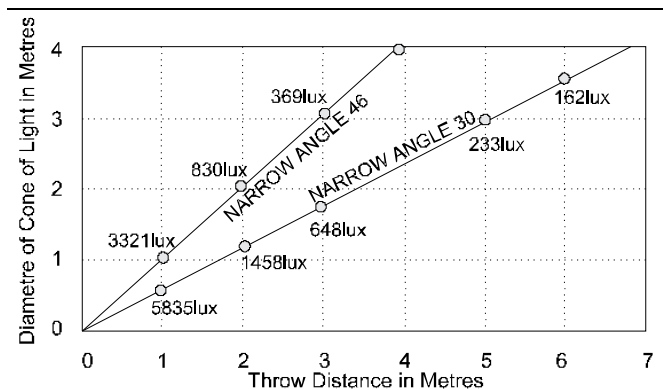
FEATURES

- Variable beam angle from 30° to 46°, can be precisely shaped using the four shutters.
- Project images, logos, "texture" the light using pattern (gobo) projections. Add movement.
- Use colour from a wide choice of dichroic glass or theatre colour filters.
- Available in Black, White or Silver-Grey. Custom colours. Available with or without integral transformer. Auto reset fuse. Can be dimmed.
- Three circuit track adapter, ceiling mount or recess mount using Solon fitting.

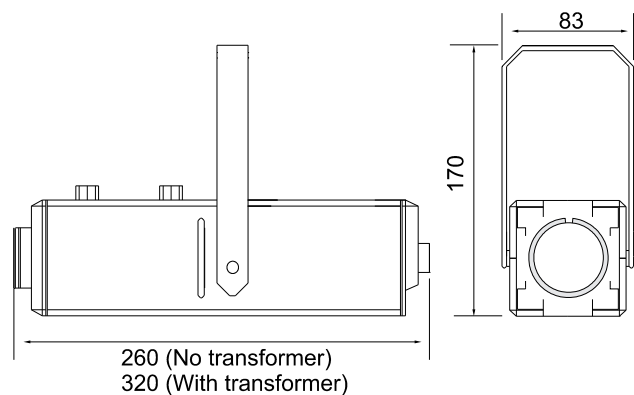
Compliant to CE standards

PHOTOMETRIC DATA

Tests conducted using a standard Philips Masterline 12v, 50 w 24° lamp



PHYSICAL DATA



Weight: 2.2 Kg (with transformer)

Gobo size: E

Included: 4xShutters, 1x50w lamp , Instruction sheet

ORDER CODES & ACCESSORIES

Accent Profile with transformer Black	SA-APTB
Accent Profile without transformer Black	SA-APB
Accent Profile with transformer White	SA-APTW
Accent Profile without transformer White	SA-APW
Accent Profile with transformer Grey	SA-APG
Accent Profile without transformer Grey	SA-APG
Accent Animation Disc drive Black	SAA-ADRB
Accent Animation Disc drive White	SAA-ADRW
Accent Gobo Holder Black	SAA-GHB
Accent Gobo Holder White	SAA-GHW
Accent Colour Frame Black	SAA-CFB
Accent Colour Frame White	SAA-CFW
3 circuit track mount adapter - black	SAA-TRAB
3 circuit track mount adapter - white	SAA-TRAW
Ceiling mount rose - white	SA - RW
- black	SA - RB

Your Selecon Distributor