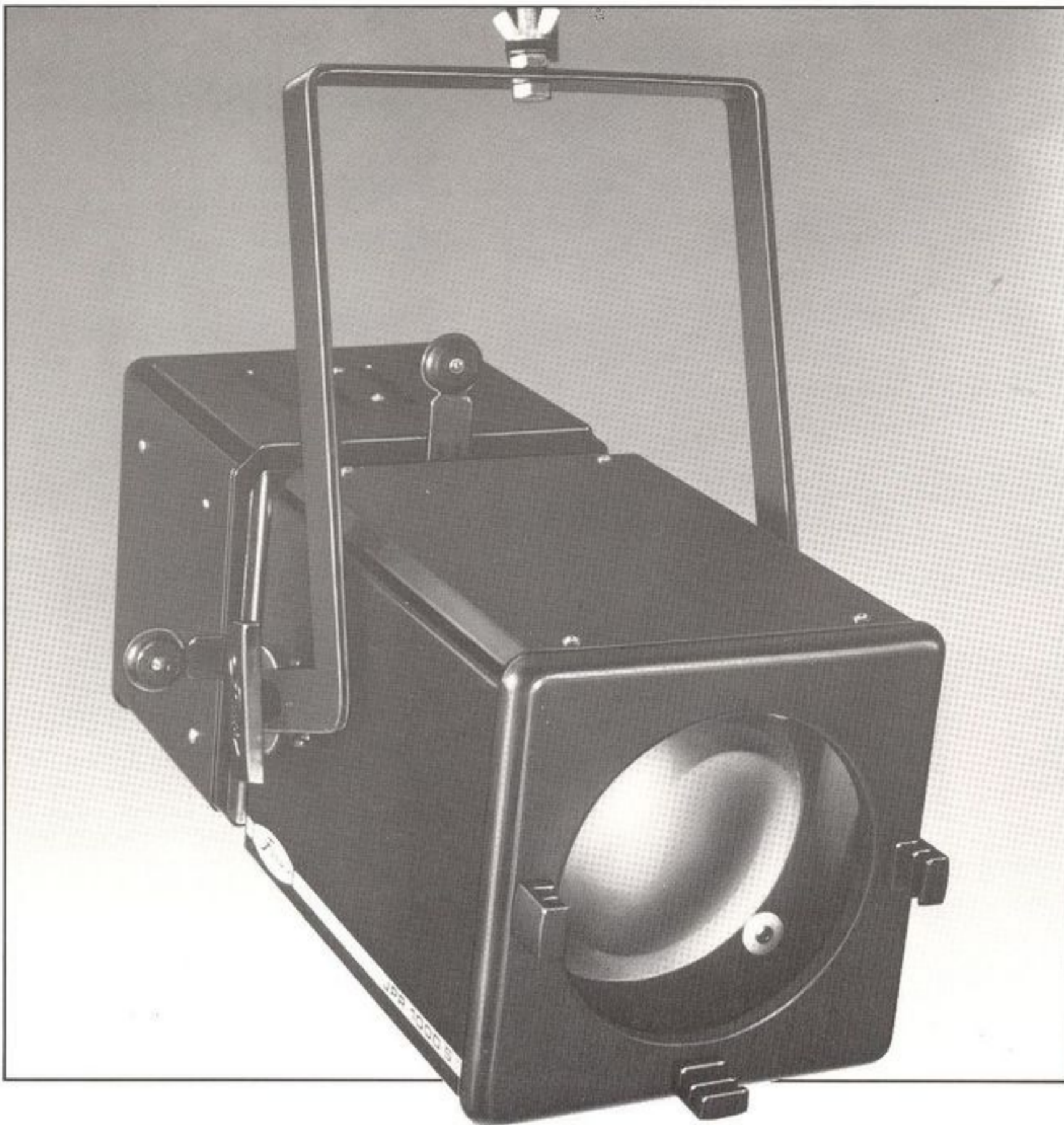




JPR 1,000-S Profile Spotlight



Dimensions

N.T.S.

Weight

9.2 Kg. (exc. lamp).
Carton Size
280 x 305 x 580mm,
0.05m³
Packed Weight
10.05 Kg (exc. lamp).

Environment Classification

IP 20

Tilt

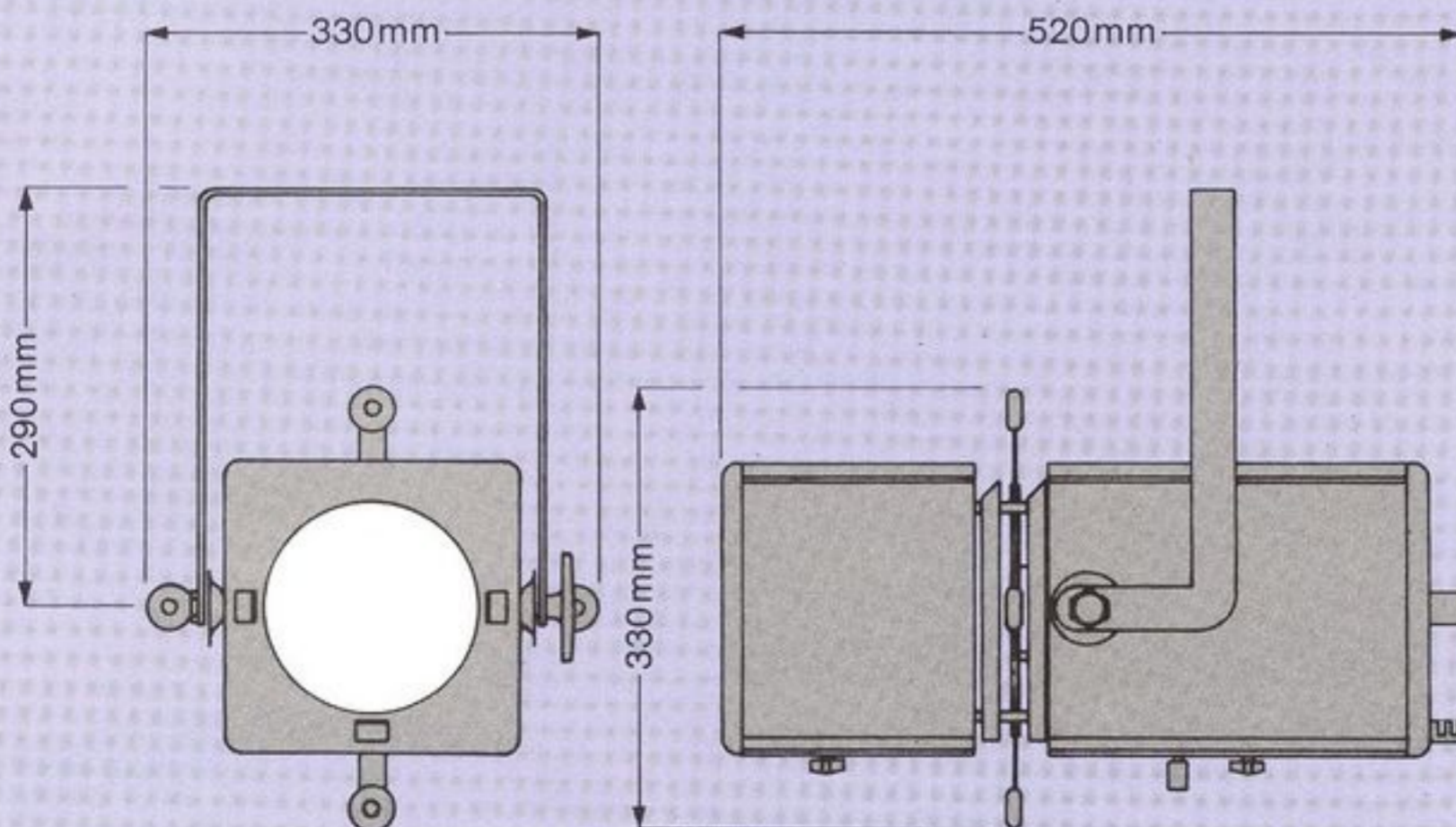
45° above horizontal to
90° below.

A profile spotlight producing a hard clear cut edge to light beam, the shape of which can be varied by four externally operated shutters or by the introduction of an iris diaphragm.

Maximum lamp size – 1000 watt
Beam angle – 21°
Maximum throw – 15m
Single PC 150mm dia. lens.
Light weight robust sheet metal construction.

Colour frame runners allow up to two colour frames to be fitted, one provided as standard with unit.
Lamp access from bottom of lamp house.

This spotlight is part of a range of luminaires specifically designed for lighting performance areas.



Accessories

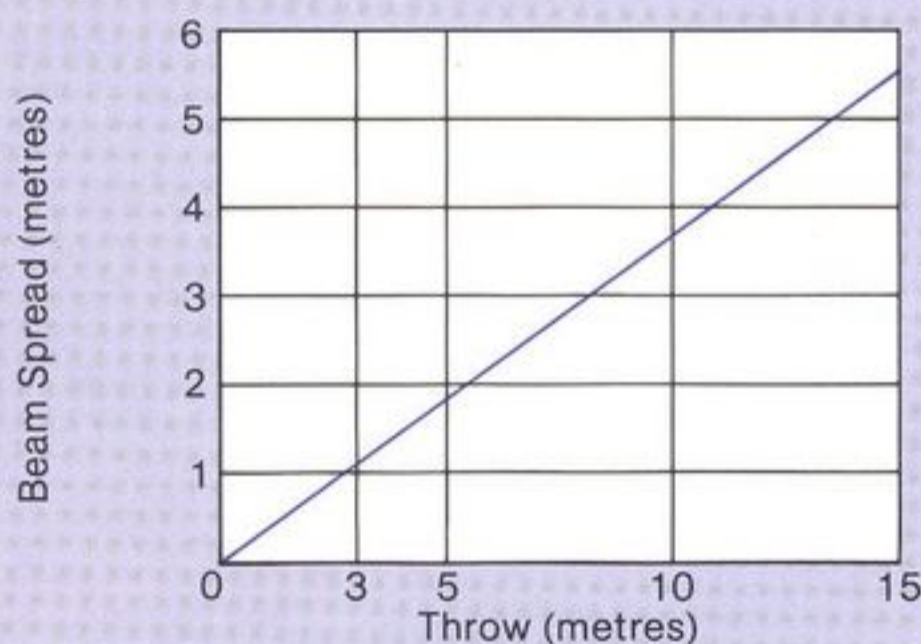
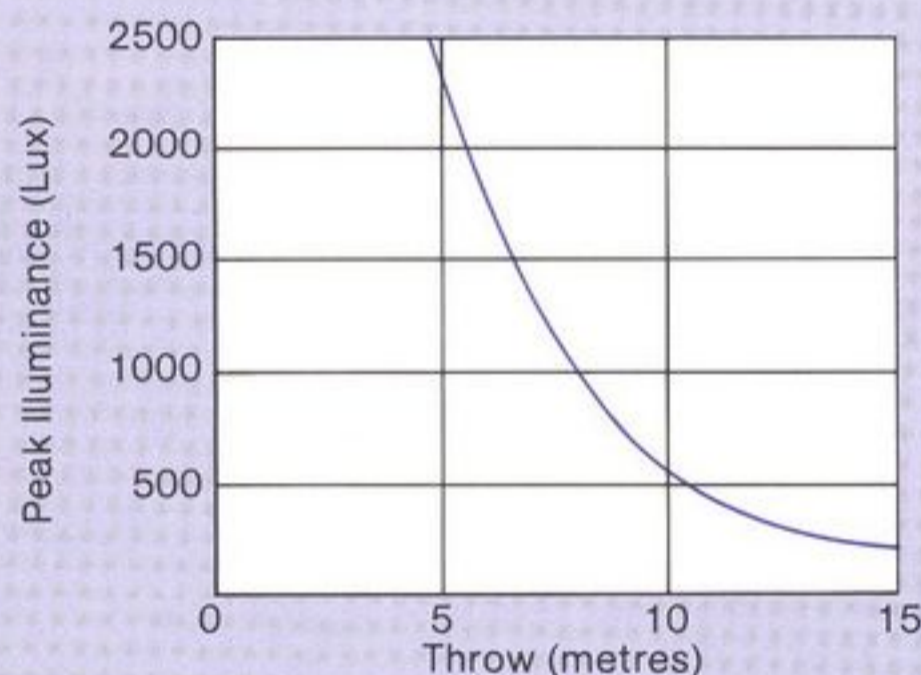
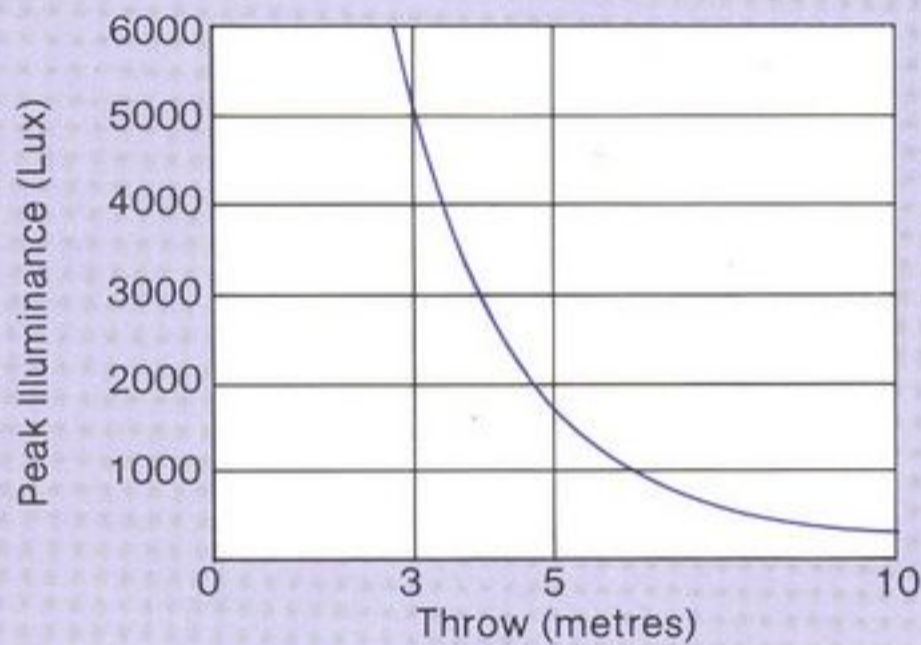
Iris Diaphragm – ID. JPR
Additional Colour Frame – CF. JPR
Colour Change Wheel – CW.152
Plug Top 5-amp – ET. 40
Plug Top 15-amp – ET. 52

JPR 1,000-S Profile Spotlight

Performance

Lamp Type	T12	T11
Wattage	650	1000
Total Lumens (nominal)	13,500	23,000
Rated Life (hours)	750	750
Peak Illuminance at 10m throw (Lux)	360	530

Graphs indicate typical performance values



— Beam Angle (50% Peak Lux) ~ 21°.

W. J. Furse & Co. Ltd. reserve the right to make any alteration to the information contained in this leaflet which is considered to be either necessary or advantageous.

Specification

Body Construction

The luminaire is constructed from steel pressings which are spot welded together to form a rigid body. Adequate ventilation is provided to give maximum lamp life and internal baffles are fitted to reduce external surface temperatures and eliminate light leakage. The lamp tray is removable from the base of the body to facilitate lamp replacement.

Trunnion Arm

The steel trunnion arm is fitted with a locking knob to allow controlled tilt. A bolt fastening is provided for suspending the luminaire.

Optical System

The reflector is manufactured from polished anodized aluminium, with a stepped profile for maximum optical efficiency.

Lamp Holder – A GX9.5 lamp holder is fitted to a sliding base which can be adjusted to match the reflector optical characteristics. This is locked in position by means of a heat resisting knob situated under the lamp house body.

Lens – 150mm dia. plano-convex heat resisting glass, mounted on an adjustable slide to achieve image focus and locked in position by means of a heat resistant knob situated under the front of the body.

Aperture Plate – Fitted with four stainless steel beam shaping shutters permanently lubricated with a graphite compound. Guides for an iris diaphragm can be supplied as an optional extra.

Accessory Attachment

Guides are provided on the front of the unit to accept two colour frames, one of which is supplied as standard with the unit. Accessories including colour wheels are available as an optional extra.

Electrical Connection

A 1m length of 3-core silicone cable is provided, securely attached at the point of entry to the luminaire by means of a strain relief gland.

Finish

Heat resisting semi-matt black.

Suitable Lamps

T12 – 650w or T11 1000w

Mounting

Safety Chain – RCL. 8

Barrel Suspension Clamp – TF.13

Double Swivel Wall Bracket – TF. 22

Ceiling Mounting Bracket – TF.17

Heavy Base Telescopic Stand – MTS

Collapsible Telescopic Stand – CTS



W. J. Furse & Co Ltd,
Theatre Division, Traffic Street
Nottingham UK. NG2 1NF.
Tel: 0602 868213 Telex: 377065