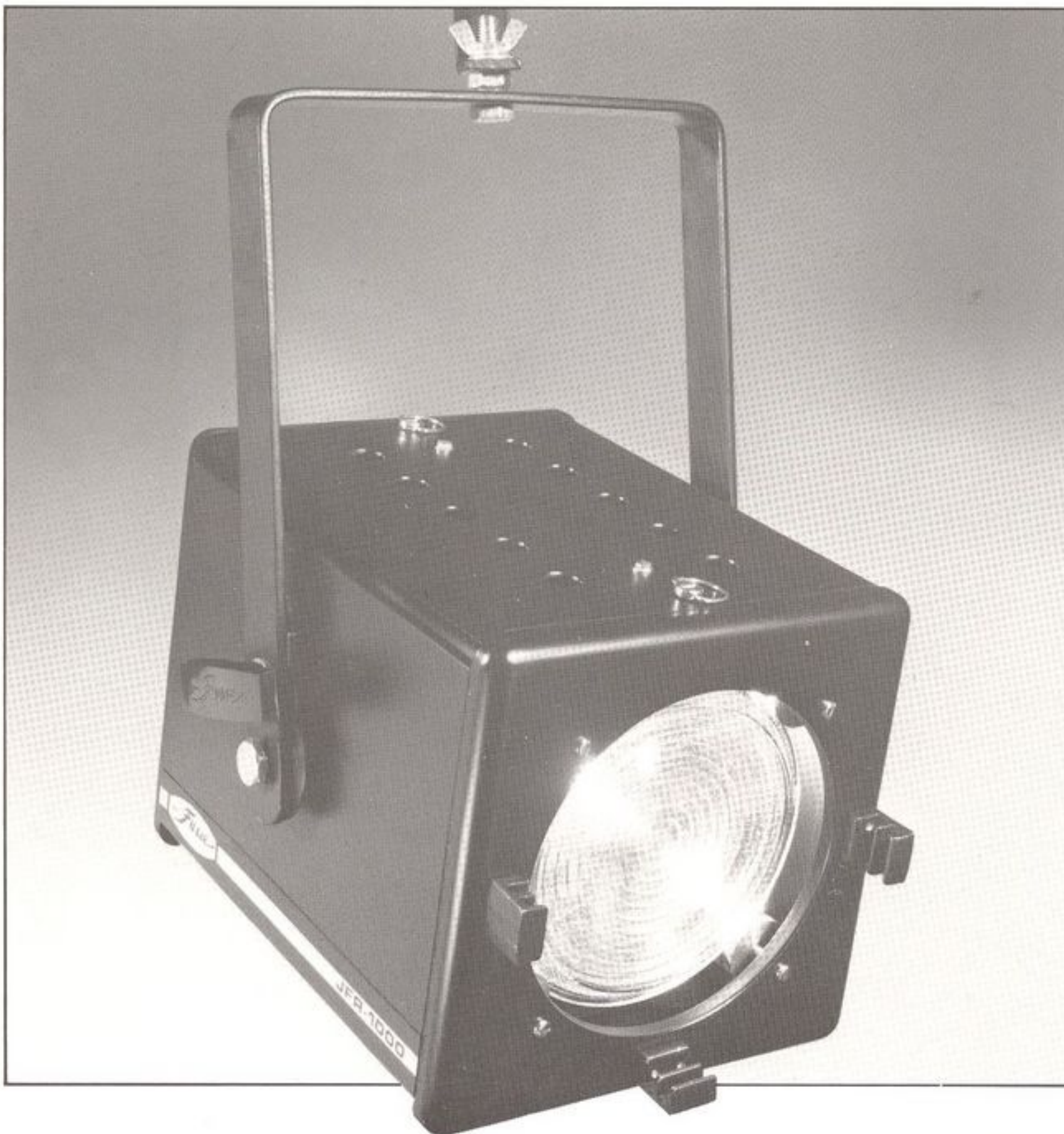




JFR 1,000 Fresnel Spotlight



Dimensions

N.T.S.

Weight

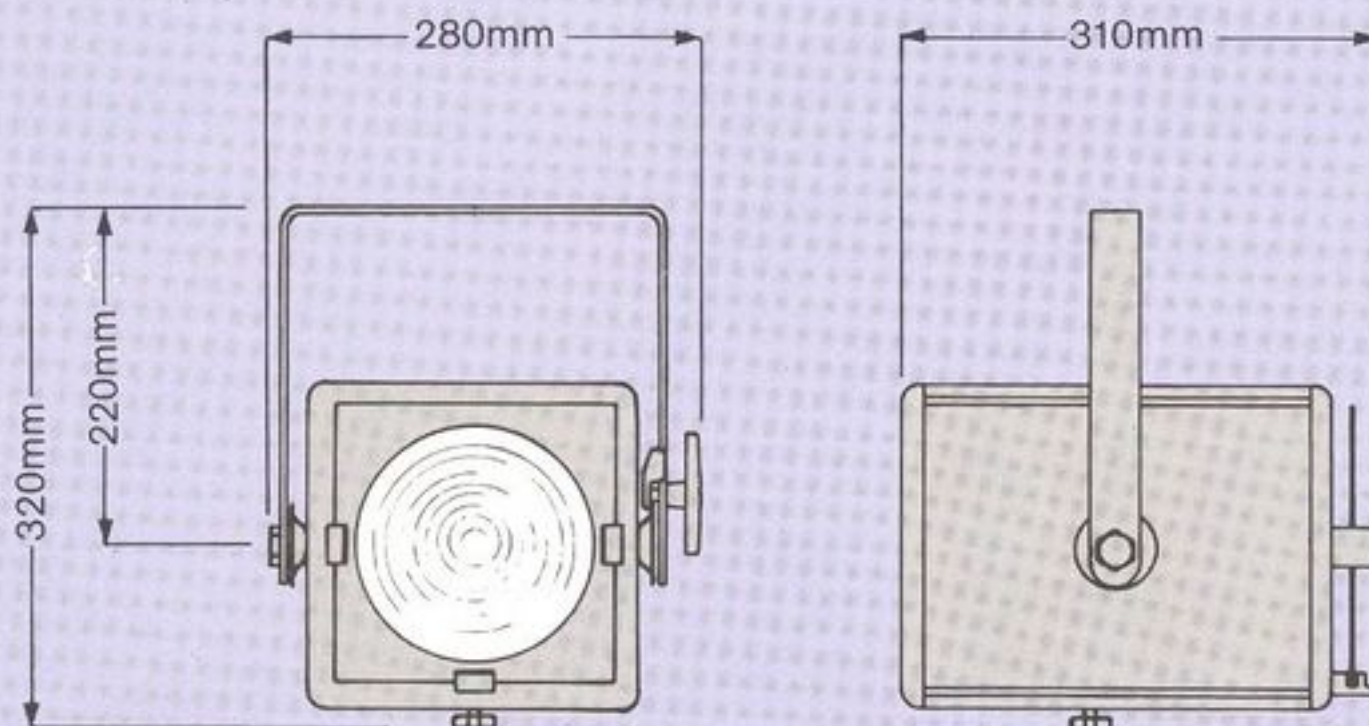
5.7 Kg (exc. lamp)
Carton Size
250 x 280 x 420mm,
0.029m³.
Packed Weight
6.4 Kg. (exc. lamp)

Environment Classification

IP 20

Tilt

45° above horizontal to
90° below.



A compact spotlight producing a soft edge to the light beam with a variable beam angle.

Maximum lamp size – 1000 watt
Beam angle – 8° – 32°
Maximum throw – 15m
Single 150mm dia. fresnel lens.
Light weight robust sheet metal construction.

Colour frame runners allow up to two colour frames to be fitted, one provided as standard with unit.
Lamp access via removable top cover.

This spotlight is part of a range of luminaires specifically designed for lighting performance areas.

Accessories

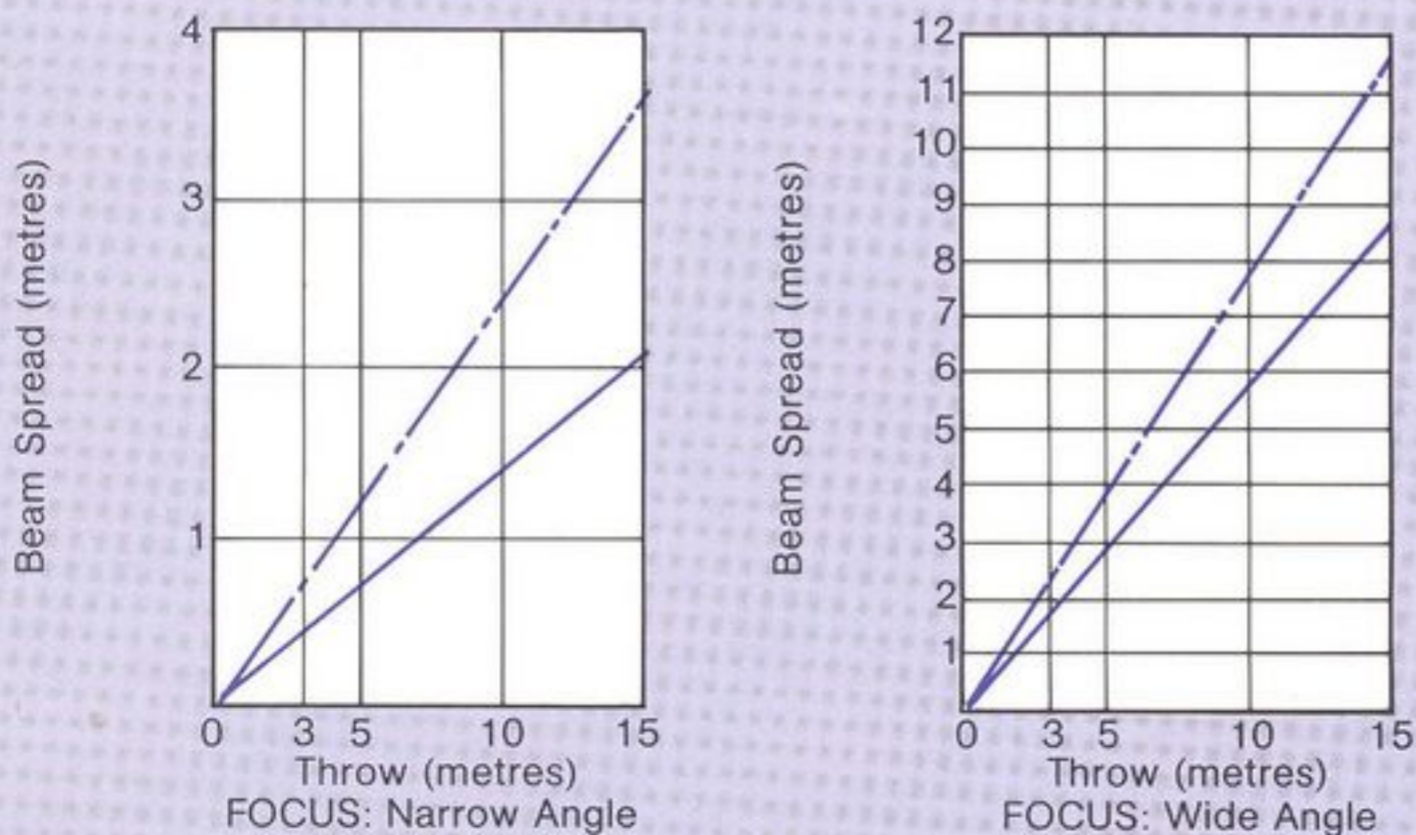
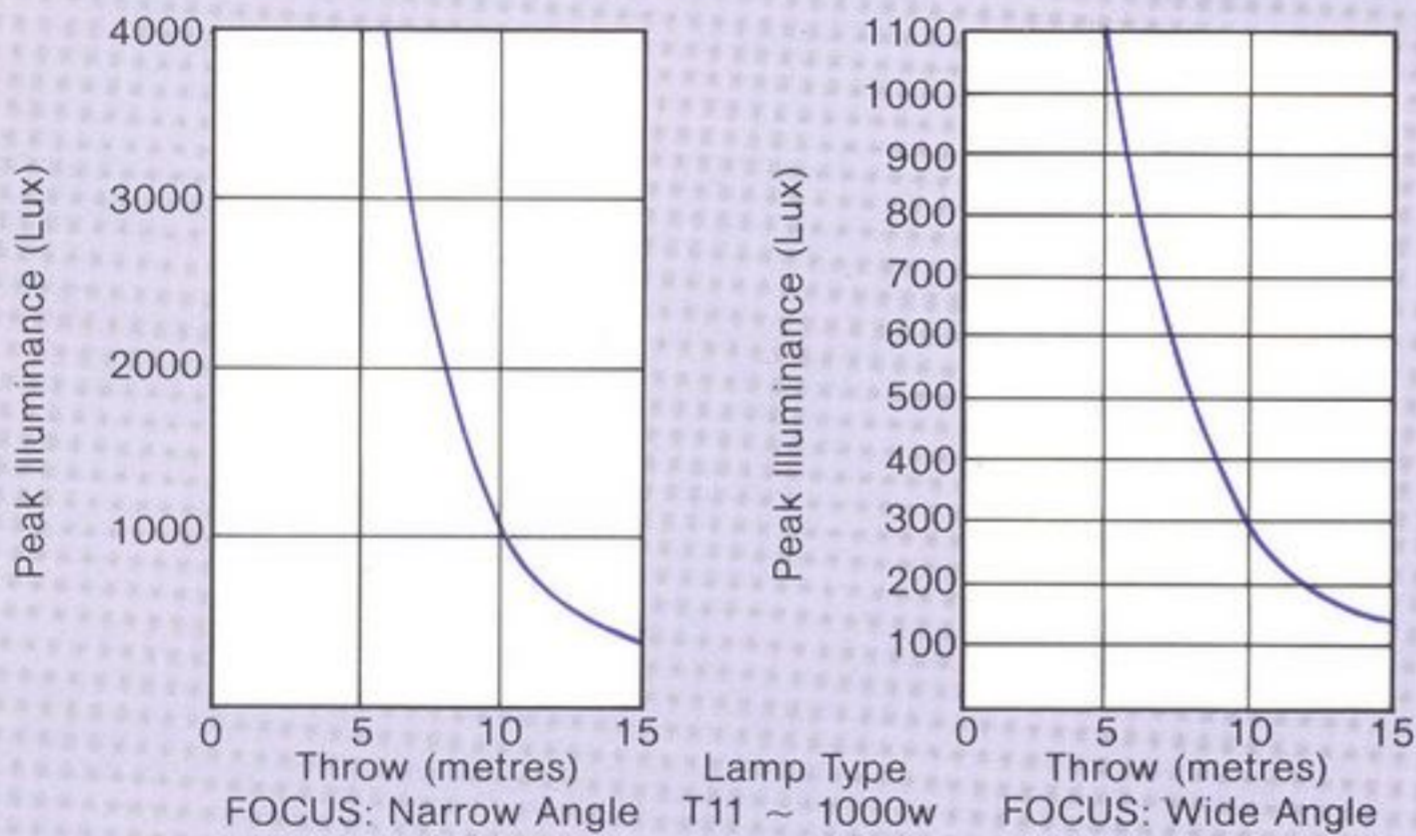
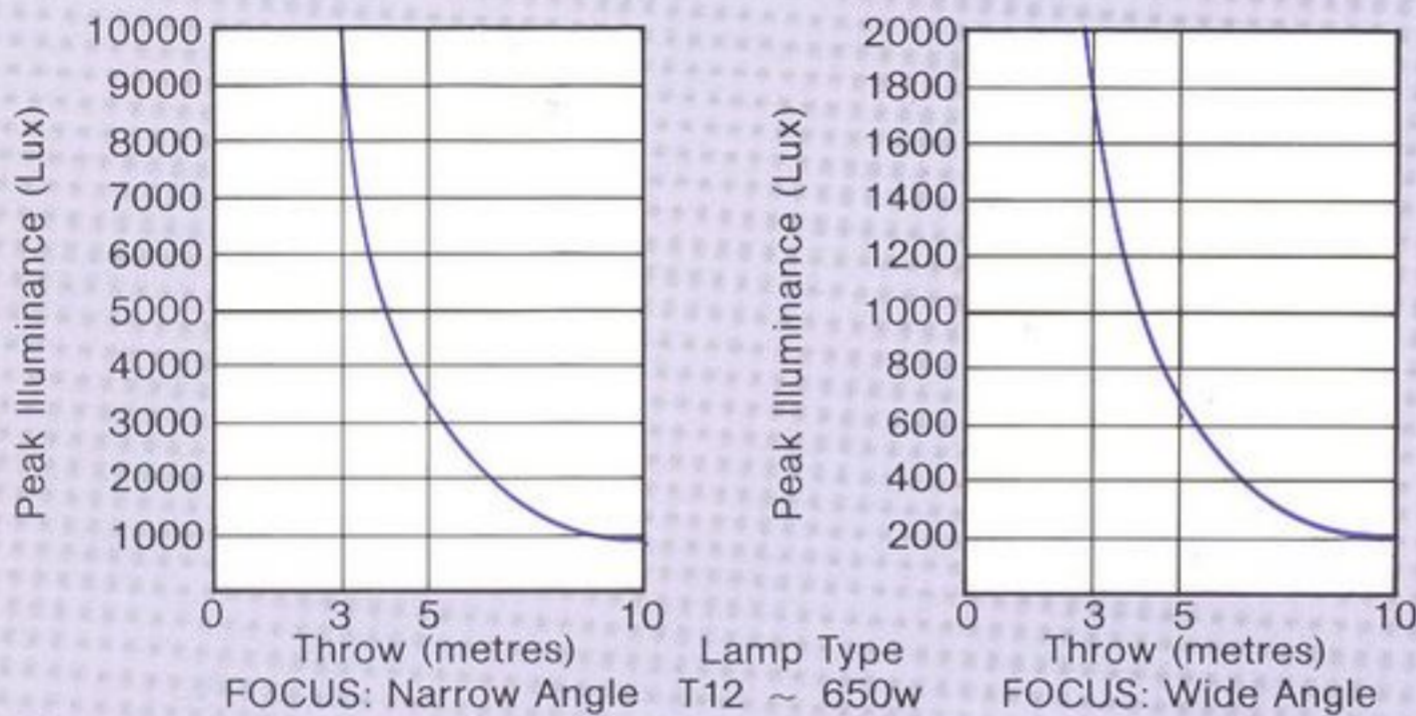
Barn Door Attachment – BD. JFR
Additional Colour Frame – CF. JFR
Colour Change Wheel – CW.152
Plug Top 5-amp – ET40
Plug Top 15-amp – ET52

JFR 1,000 Fresnel Spotlight

Performance

Lamp Type	T12	T11
Wattage	650	1,000
Total Lumens (nominal)	13,500	23,000
Rated Life (hours)	750	750
Peak Illuminance at 10m throw (Lux)		
8° beam angle	820	1,050
32° beam angle	177	290

Graphs indicate typical performance values



----- Field Angle (10% Peak Lux) ~ 14° to 42°
 ————— Beam Angle (50% Peak Lux) ~ 8° to 32°

W. J. Furse & Co. Ltd. reserve the right to make any alteration to the information contained in this leaflet which is considered to be either necessary or advantageous.

Specification

Body Construction

The luminaire is constructed from steel pressings which are spot welded together to form a rigid body. Adequate ventilation is provided to give maximum lamp life and internal baffles are fitted to reduce external surface temperatures and eliminate light leakage. The top cover of the body is removable to facilitate lamp replacement. This access cover is attached to the body with a safety wire.

Trunnion Arm

The steel trunnion arm is fitted with a locking knob to allow controlled tilt. A bolt fastening is provided for suspending the luminaire.

Optical System

The spherical shaped reflector is manufactured from polished anodized aluminium.

Lamp Holder – A GX9.5 lamp holder is fitted to a sliding base which can be adjusted to achieve the required beam angle. This is locked in position by means of a heat resisting knob situated under the luminaire body.

Lens – 150mm dia. fresnel lens securely mounted in front of the luminaire.

Accessory Attachment

Guides are provided on the front of the unit to accept two colour frames, one of which is supplied as standard with the unit. Accessories including barn doors and colour wheels are available as optional extras.

Electrical Connection

A 1m length of 3-core silicone cable is provided, securely attached at the point of entry to the luminaire by means of a strain relief gland.

Finish

Heat resisting semi-matt black.

Suitable Lamps

T12 – 650w or T11 – 1000w.

Mounting

Safety Chain – RCL. 8.
 Barrel Suspension Clamp – TF.13
 Double Swivel Wall Bracket – TF. 22
 Ceiling Mounting Bracket – TF.17
 Heavy Base Telescopic Stand – MTS
 Collapsible Telescopic Stand – CTS



W. J. Furse & Co Ltd,
 Theatre Division, Traffic Street
 Nottingham UK. NG2 1NF.
 Tel: 0602 868213 Telex: 377065