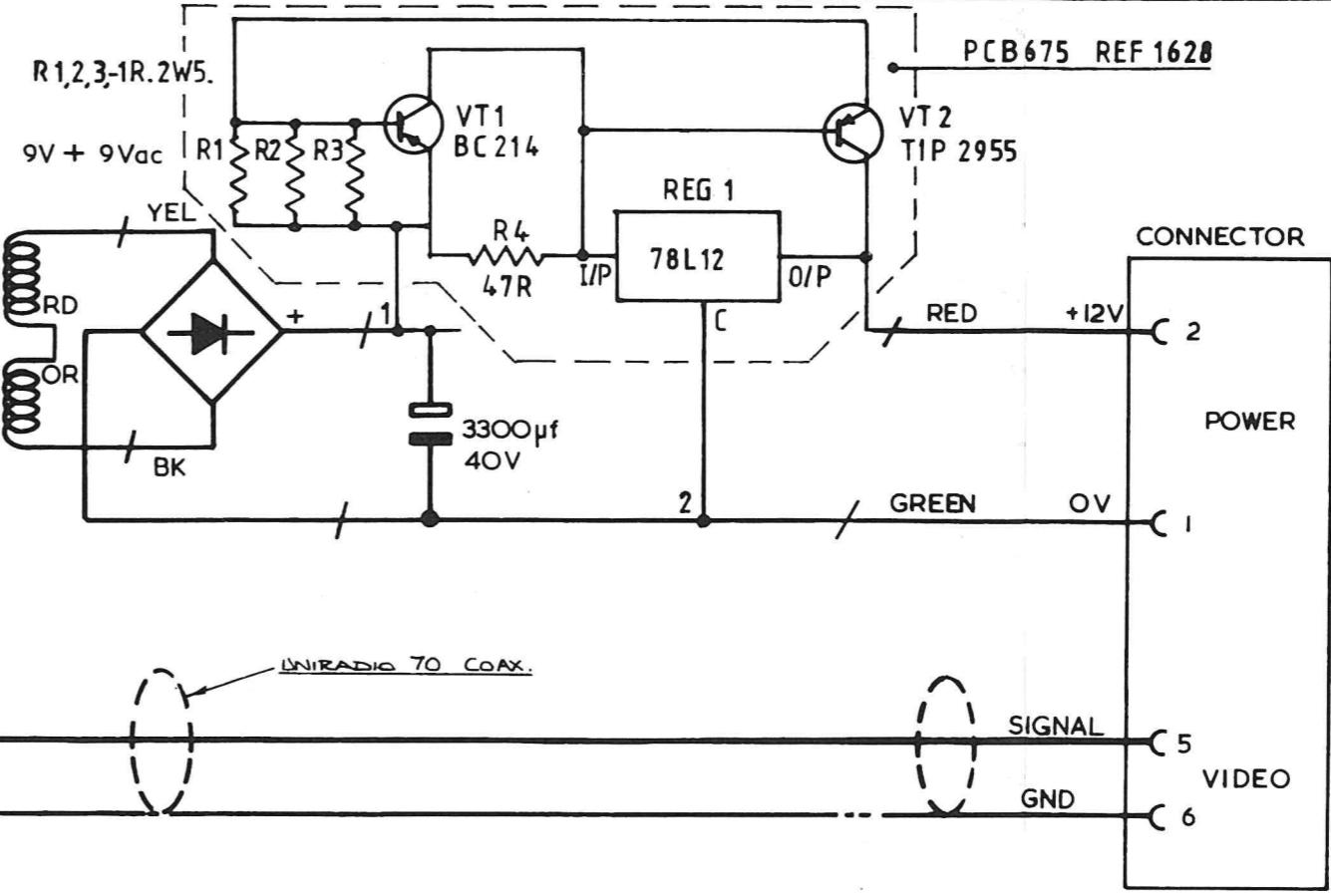
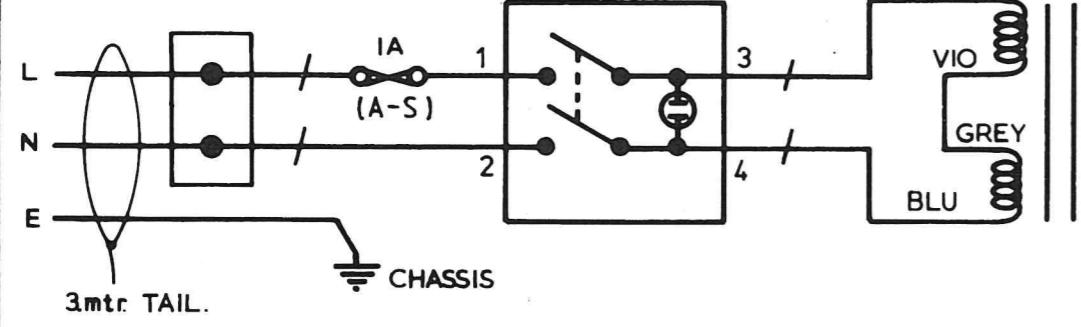
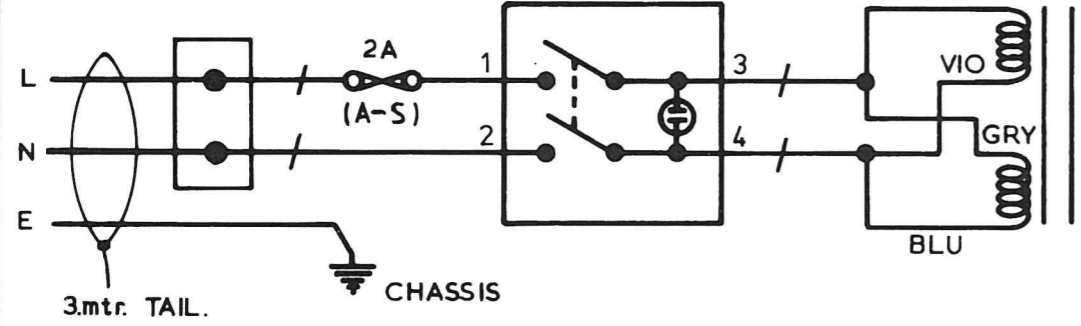


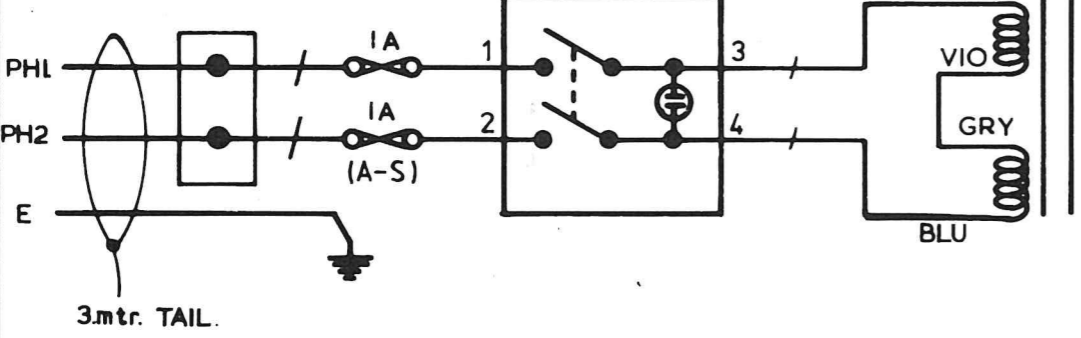
OPTION 1. 220-240V



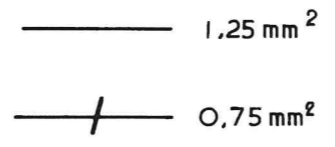
OPTION 2. 110-120V



OPTION 3 TWIN PHASE 220V



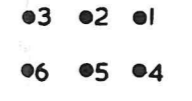
WIRE SIZE



SW 2 REAR VIEW



CONNECTOR REAR VIEW



REV.1. C.N° DE.AMMH 10.5.79.
 D/E. C.N° E3303
 1.05 MM, HAS. 05mm
 10.8.78.
 150-E3311

E 3346
 Voltage Regulator
 Removed, Replaced
 With PCB 675.
 11-10-78 R06w
 AMP 16-10-78

E 3371.
 PCB 675 Circuit
 Added. Chassis
 Connection De-
 -leted. (A-S)
 Added.
 13-12-78 R06w
 14-12-78 A.M.H.

RANK STRAND ELECTRIC
 PO Box 70 Great West Road Brentford Middlesex TW8 9HR
 Telephone 01-568 9222 Telex 27976
 A DIVISION OF
RANK AUDIO VISUAL LIMITED

DIMENSIONS IN INCHES/MILLIMETRES
 THIRD ANGLE PROJECTION

TOLERANCES	
IMPERIAL	METRIC
FRACTION ± 1/64"	1 DEC PLACE ± 0.4 mm
DECIMAL ± .005"	2 DEC PLACE ± 0.1 mm
ANGULAR ± 0.25°	
UNLESS OTHERWISE STATED	
USED ON:- DUET VDU IL 20000	

SCALE	DATE
DRAWN DLASMAN	20-3-78
CHECKED	
APPROVED J. J. J.	10-5-78
MATERIAL:- SCH 15 2118D	
FINISH:-	

TITLE:-
DUET VDU WIRING DIAGRAM
 (+OPTIONS)

ISSUE ~~A,B,C,D~~ E DWG. N° 7021563