

COMPACT

FRESNEL

An industry standard 1.0 / 1.2 kw Fresnel with a 150mm (6") lens. The adjustable cone of light has a soft edge, easily blended with adjacent beams to provide even illumination. Constructed of pressure die-castings and aluminium extrusion, the Compact fresnel offers efficiency, strength and performance.

FEATURES

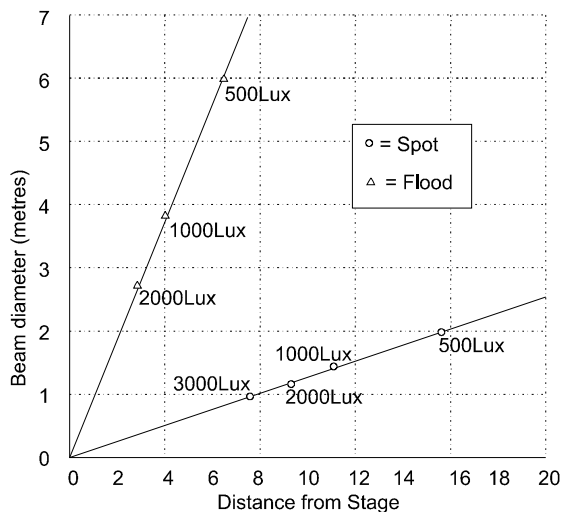
- Wide range of beam angle from 7 to 50 degrees
- Industry standard 150mm lens
- Adjustable yoke balance point
- 'Swing-down' door for easy access to lamp or cleaning. Disconnects the mains power supply on opening.
- Smooth 'posi-slide' focus system, no metal to metal contact.
- Available with pole-operation.
- Fully tested and compliant to CE standards

PHOTOMETRIC DATA

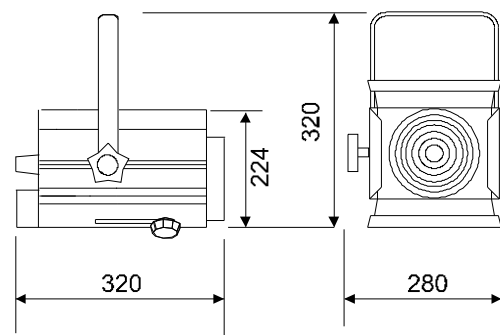
Tests conducted using a standard T29, 1200w, 240v, 27,600 lumens lamp.

Beam angles:

Spot 7° 165,600cd Flood 50° 17,640cd
 Field: 14° 61°



PHYSICAL DATA



Weight: 4.6 Kg

Packed Weight: 6.1Kg

Carton Size: 275 x 250 x 380

Carton Size Cubic: 0.026

Colour Frame Size: 185mm x 185mm (DIN std)

Included: 1 x colour frame, 1 x M12 nut & bolt set, instruction sheet

ORDER CODES & ACCESSORIES

Compact Fresnel	10CF12MS
Compact Fresnel - pole op.	10CF12PO
Barndoor	20BDSF10
Lens Safety Mesh	20SM6
Suspension Hookclamp	20HC
Safety Bond	20SC

Your Selecon Distributor
