

Betapack 3

Portable Lighting Control Dimmers

Key Features

- 6 Dimming Channels
- 10 Amps per channel
- Socketed or Hardwired options
- MCB protection
- Isolated DMX input
- Patchable per channel
- Preheat, Topset and Dimmer Law selectable per channel
- 12 backup memories
- 3 x 99-step sequences with adjustable times
- Automatic DMX termination when loop-through plug is removed
- RDM Enabled
- Auto frequency tracking
- Lock and Reset functions
- Temperature monitoring
- Convection cooled
- DMX addressing via front panel or RDM
- DMX Status indication
- 19" Rack Mount and Wall Mounting options (brackets included)
- Optional Easicarry handle for portable use
- CE compliant to all relevant standards
- Designed and manufactured to ISO9001:2015 standards



Overview

The Betapack 3 range of 6 channel dimmer packs offers one of the most cost effective and versatile solutions to dimming currently available. Manufactured to the highest professional standards, this comprehensive range of convection cooled 6 x 10 Amp packs includes variants with sockets to match most global standards. Designed to be rack mounted, installed on a wall or carried, the Betapack 3 is suitable for a wide range of applications from amateur to professional, education to TV.

Betapack 3 range of dimmers have served the lighting industry for nearly 20 years and remain a firm favourite in lighting rental, installation and portable applications. Based on tried and tested technology, these robust, reliable, digitally controlled dimmer packs are incredibly versatile. Whether it's for schools, theatres, or TV studios worldwide, these dimmers provide the core component of lighting systems globally.

Betapack 3 includes variants with sockets to match most global standards.

The Betapack 3 range is supplied with MCBs on every channel, giving you peace of mind and maximum protection.

The versatility of the Betapack 3 means it can be 19" rack mounted or installed on a wall using the brackets supplied, or made portable by adding the optional Easicarry kit consisting of a handle and four feet. Its legendary reliability and durability make it the dimmer of choice for many thousands of venues worldwide.

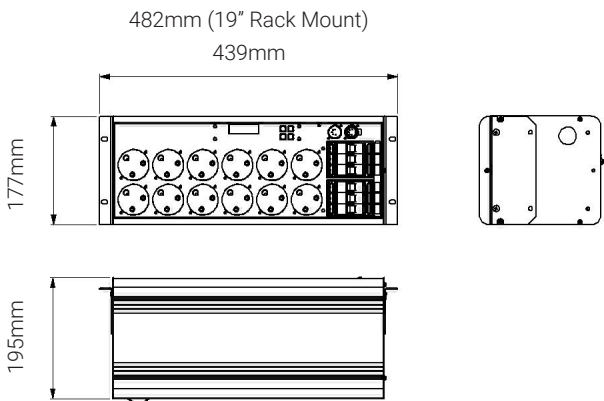
Ordering Information

00-307-03	Betapack 3 Hardwired
00-307-11	Betapack 3 UK 15A
00-307-21	Betapack 3 Schuko
00-307-22	Betapack 3 Swiss
00-307-23	Betapack 3 French
00-307-42	Betapack 3 Socapex
00-307-61	Betapack 3 CEE17
00-540-00	Easicarry handle and feet

Supplied Accessories

Single Phase linking bar
Installation / Operating Instructions
2 x Wall / Rack mounting Brackets (fitted)

Dimensions:



Weight: 8.0kg

Specifications

- Number of channels: 6
- Channel capacity: 0.1A min / 10A max
- Total dimmer capacity: 60A
- Dimmer duty cycle: 100%
- Supply Voltage:
Single Phase (2 wire) 230V
Three Phase Star (4 wire) 250/444V
Three Phase Delta (3 wire) 230/115V
- Supply frequency: 50-60Hz auto tracking
- Rise time: 80 uS
- Control input: DMX via 5 Pin XLR fixed male with loop through connector with automatic termination, accepts USITT DMX512-A (isolated). Patch set via control interface
- RDM Enabled
- Channel outlet options:
Hardwired with Internal terminal connections
12 x UK 15A Sockets
12 x 16A Schuko Sockets
18 x 10A Swiss Sockets
12 x 16A French Sockets
Single Socapex
12 x 16A CEE17 Sockets
- Dimmer Laws: 3 dimmer laws (Normal, Linear, Switch)
- Patching: Full DMX patch and block address
- Memories: 12 static
- Sequences: 3 x 99 step programmable
- User Interface: 7 segment display with 4 navigation keys
- DMX fail mode: DMX Hold, Fade to Black, Fade to Memory or Fade to Sequence
- Programmable channel attributes: Preheat per channel (5%), Topset, Dimmer Laws
- Channel protection: 10A, type C, single pole (thermal magnetic circuit breaker). (Schuko, French, Hardwire and Socapex versions have neutral disconnect per channel). Breaking capacity to 6000A
- Cooling: Convection via rear mounted heatsink with electronic temperature monitoring and progressive overheat shutdown
- Operating Temperature: +5°C to +40°C
- Humidity: 5% to 95% Non condensing

Contact Us

+44 (0)1923 495495

enquiries@zero88.com

www.zero88.com

Cooper Lighting Solutions
Usk House, Lakeside,
Llantarnam Park,
Cwmbran, NP44 3HD. UK

Changes to the products, to the information contained in this document, and to prices are reserved; so are errors and omissions.

Zero 88 is a registered trademark.

All other trademarks are property of their respective owners.

© 2020 Cooper Lighting Solutions
All Rights Reserved.

Betapack_3_DataSheet_UK_rev5_0420