

Product Specification Sheet

Aurora Groundrow



A 625W, 1000W or 1250W asymmetric cyclorama luminaire for larger theatres and studios providing a visually even wash of light from a floor position.

Features

Light beam is very smooth and falls off evenly without visible high lights or shadows.

The extruded aluminium reflector guarantees repeatability of beam characteristics.

Robust construction from a combination of aluminium extrusions and formed steel panels.

Filter life is maximised by the dual air-flow chamber construction.

Filter frame size ensures an economic two frame cut out of a standard filter sheet.

The filter frame is flat ensuring it can be mounted into the luminaire with ease.

Adjustable rubber feet isolate the luminaire from vibration and provide tilt adjustment.

Single unit has side hinges for on-site assembly as battens.

Relamp without removing the colour filter holder.

Available configurations: single, 4-way linear; choice of multi connectors.

Lamps: 220V-240V

P2/12 1250W33
750 lumens 200 hours average life

P2/7 1000W
26,000 lumens 200 hours average life

P2/10 625W
16,250 lumens 200 hours average life

Order Codes

10AUGRD
Aurora Groundrow Single

10AUGRD4
Aurora 4-way Linear Groundrow (cable tails)

10AUGRD4W
Aurora 4-way Linear Groundrow (weiland connection)

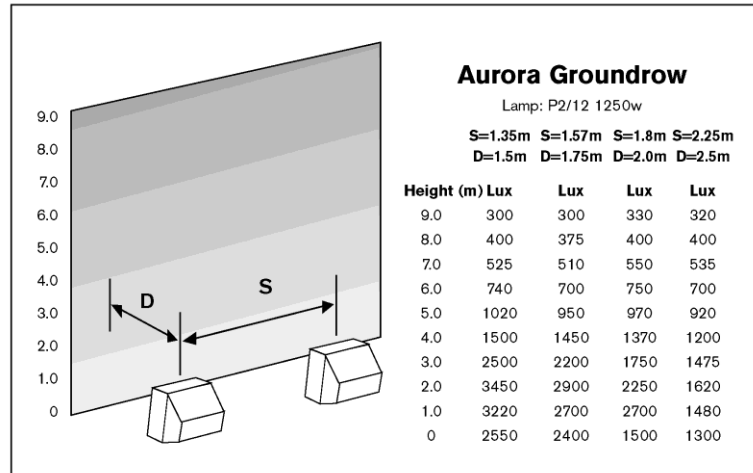
10AUGRD4S
Aurora 4-way Linear Groundrow (socapex connection)

Approvals

Compliant to CE standards.

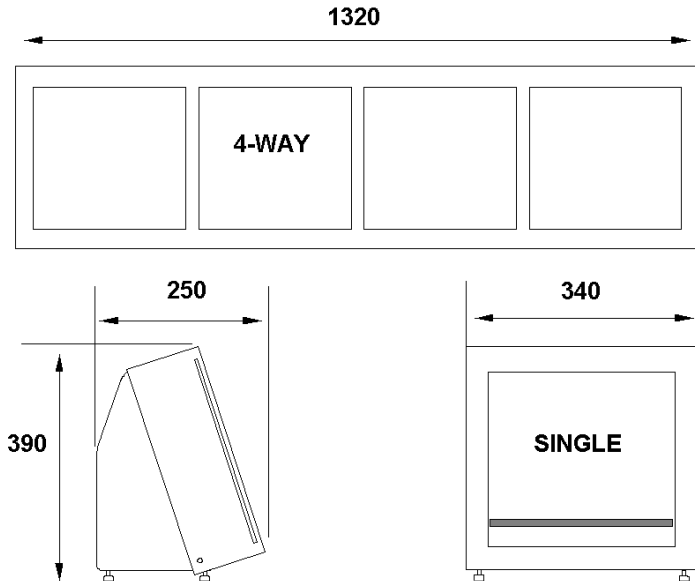
Photometric Data

Tests conducted using a standard 1250W, 240V, 189mm P2/12 lamp.



Physical Data

Single **4 Way**
Weight: 7kg 26.7kg
Colour frame size: 305mm x 315mm
Included: 1x colour frame for single, instruction leaflet.



Philips Selecon reserves the right to change the specifications without notice (October 2011).

PHILIPS
Selecon