

# Product Specification Sheet

## Aurora Cyc



**A range of asymmetric floods 1.0kW / 1.25kW to light the cyc or back-cloth with a visually even wash of light from a top mounting position.**

Designed to light cloths up to 10m high from a throw distance of 2-3m.

### Features

Light beam is very smooth and falls off evenly without visible high lights or shadows.

The extruded aluminium reflector guarantees repeatability of beam characteristics.

Robust construction from a combination of aluminium extrusions and formed steel panels.

Filter life is maximised by the dual air-flow chamber construction.

Filter frame size ensures an economic two frame cut out of a standard filter sheet.

The filter frame is flat ensuring it can be mounted into the luminaire with ease.

Re-lamp without removing the colour filter holder via the hinged front filter holder assembly.

Available in a variety of configurations with your choice of multi connector options.

### Lamps: 220V-240V

**P2/12 1250W**  
33,750 lumens 200 hours average life

**P2/7 1000W**  
26,000 lumens 200 hours average life

**P2/10 625W**  
16,250 lumens 200 hours average life

### Order Codes

**10AUCYC1**  
Aurora Cyc

**10AUCYC1PO**  
Aurora Cyc with pole operation

**10AUCYC3L**  
Aurora Cyc 3-way Linear Cyc (tails out)

**10AUCYC4S**  
Aurora 4-way Square Cyc

**10AUCYC4SPO**  
Aurora 4-way Square Cyc with pole operation

**10AUCYC4L**  
Aurora 4-way Linear Cyc (tails out)

**10AUCYC4LW**  
Aurora 4-way Linear Cyc (Wieland)

**10AUCYC4LS**  
Aurora 4-way Linear Cyc (Socapex)

**20BDAU**  
Aurora Barndoor

**20HC**  
Suspension Hookclamp

**20SC**  
Safety Bond

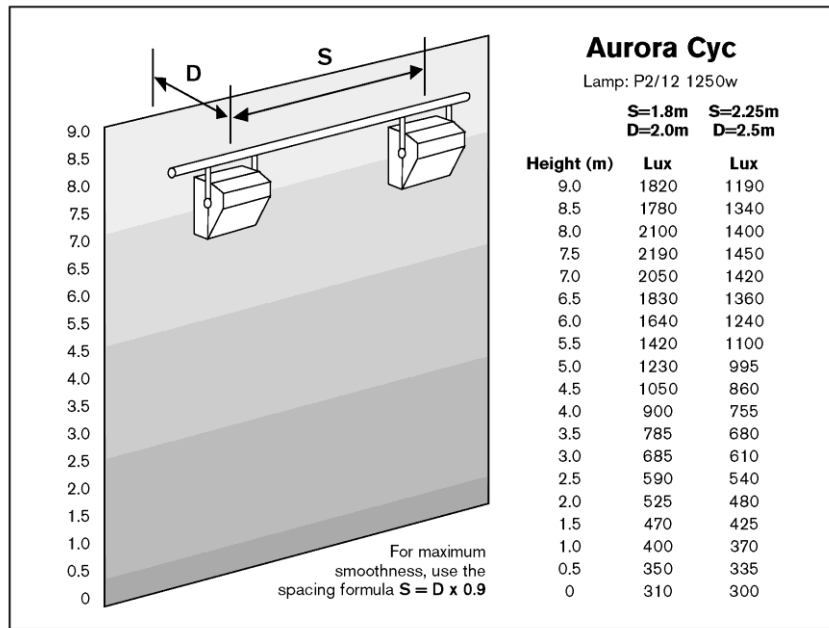
### Approvals

Compliant to CE standards.

**The Aurora Cyc is a high performance entertainment luminaire designed for entertainment and studio applications; it is not designed for continuous use as required for a work light or rehearsal light. For these applications please use the Hui or Lui Work Light.**

## Photometric Data

Tests conducted using a standard 1250W, 240V, 189mm P2/12 lamp.



## Physical Data

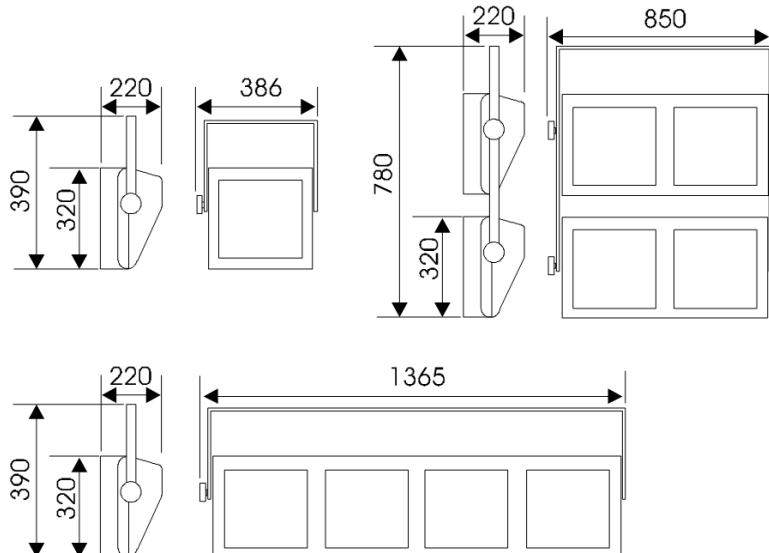
### Packed Weights:

Single: 9.1kg

3 way batten: 23kg    4 way linear: 30kg    4 way square: 33kg

**Colour frame size:** 305mm x 315mm

**Included:** 1x colour frame for single, 4x colour frames for 4- way, 1 x M12 nut & bolt set, instruction leaflet.



Philips Selecon reserves the right to change the specifications without notice (October 2011).

**PHILIPS**  
**Selecon**