

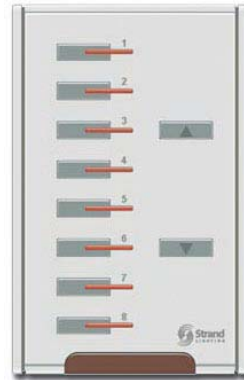
Accent DMX Preset Control Stations

Designed for the European and Asian markets, Accent DMX stations are simple to use and operate. Each station supports up to 48 DMX dimmers. Room 1 has dimmers 1-48, room 2 has dimmers for 49-96 and each additional room increments in blocks of 48 to a maximum of 8 rooms. Room selection is via dipswitch on the back of each station. A21, Wall Rack, and C21/EC21 racks support DMX512 patching allowing the creation of smaller rooms using their integrated Mux patch functionality.

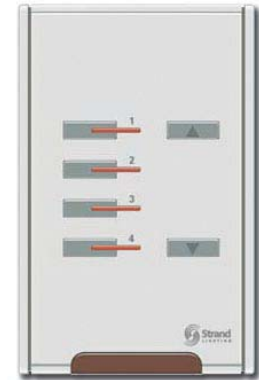
Each station has a built in IR port for use with the included IR remote programmer. The programmer allows the operator to record, modify and playback presets on each station. Designed to fit in a single gang back box these stations provide a clean simple to use control interface. Presets can be selected at the touch of a button and the integrated raise lower keys allow the operator to master an entire preset proportionally.

Features

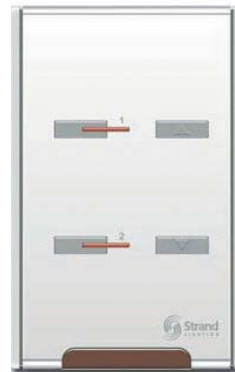
- Available in European and Asian markets
- Two, Four, and Eight Preset Control Stations with individual preset fade times
- Raise Lower Mastering
- Up to 48 dimmers per room, up to 8 stations and 8 rooms per system
- Room selection by dip switch selection on control station no special programming required
- Compatible with all Strand Dimmer Racks
- Wireless IR remote provided with each station for simple programming and remote preset access
- Secure, fastener-free faceplates
- Secure digital control wiring system
- Fits standard 1 gang deep masonry box
- DMX512 output



Eight Button Preset Station
with Raise/Lower Control



Four Button Preset Station
with Raise/Lower Control



Two Button Preset Station
with Raise/Lower Control



Wireless IR Remote
Programmer

PHILIPS
Strand Lighting

SPECIFICATION SUBMITTAL

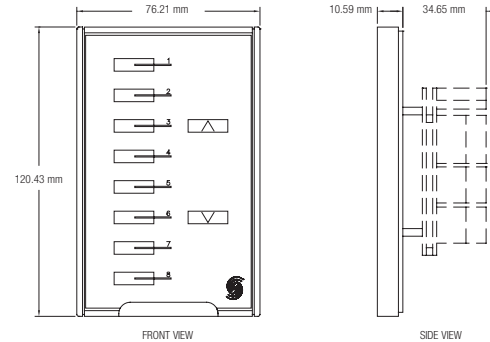
CONSULTANT: <input type="text"/>	PROJECT NAME: <input type="text"/>	MODEL NUMBER QUANTITY: <input type="text"/> <input type="text"/> <input type="text"/> <input type="text"/> <input type="text"/> <input type="text"/> <input type="text"/> <input type="text"/>
DATE: <input type="text"/>	PROJECT NUMBER: <input type="text"/>	APPROVED BY: <input type="text"/>

Introduction

Accent DMX preset control stations are simple-to-use and operate. Each button station supports up to 48 dimmers. Room 1 has dimmers 1-48, room 2 has dimmers for 49-96, and each additional room increments in blocks of 48 to a maximum of 8 rooms. Room selection is via dipswitch on the back of each station making set-up a snap.

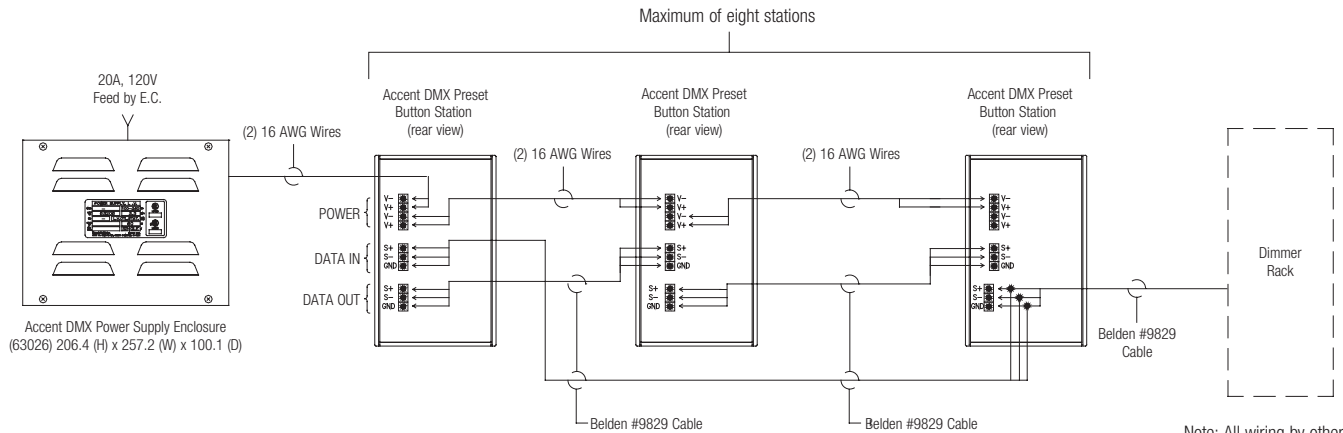
Each station has a built in IR port for use with the included wireless IR remote programmer. The programmer allows the operator to record, modify and playback presents on each station. Designed to fit in a single gang back box, these stations provide a simple-to-use control interface.

Presets can be selected at the touch of a button and the integrated raise/lower keys allow the operator to master an entire preset proportionally.



Note: Back boxes by others

Sample System Diagram



Note: All wiring by others.

Ordering Information

Cat No. Description

Accent DMX Preset Control Stations		Accent DMX Preset Control Station Accessories	
63200	Eight Button Accent DMX Preset Station with Wireless IR Remote Programmer	63203	Accent DMX Wireless IR Remote Programmer (Spare)
63201	Four Button Accent DMX Preset Station with Wireless IR Remote Programmer	63204	Accent DMX A/V Interface
63202	Two Button Accent DMX Preset Station with Wireless IR Remote Programmer	63204SE	Accent DMX A/V Interface with Enclosure
		63205	Accent DMX Room Combine Station
		63206	Accent DMX Power Supply

Philips Strand Lighting

Dallas
10911 Petal Street
Dallas, TX 75238
Tel: (214) 647-7880
Fax: (214) 647-8031

New York
267 5th Ave, 4th Floor
New York, NY 10016
Tel: (212) 213-8219
Fax: (212) 532-2593

www.strandlighting.com
© Philips Group 2011
All rights reserved.
The Company reserves the right to make any variation in design or construction to the equipment described. E&OE

Auckland
19-21 Kawana Street
Northcote, Auckland 0627
New Zealand
Tel: + 64 9 481 0100
Fax: + 64 9 481 0101

Asia
Room 6-10,
20/F Delta House
3 On Yiu Street
Shatin, N.T. Hong Kong
Tel: + 852-2757-3033
Fax: + 852-2757-1767

Europe
European Service & Distribution Centre
Marssteden 152
Enschede 7547 TD
the Netherlands
Tel: +31-53-4500424
Fax: +31-53-4500425

