



## WALL-WASHER METAL HALIDE

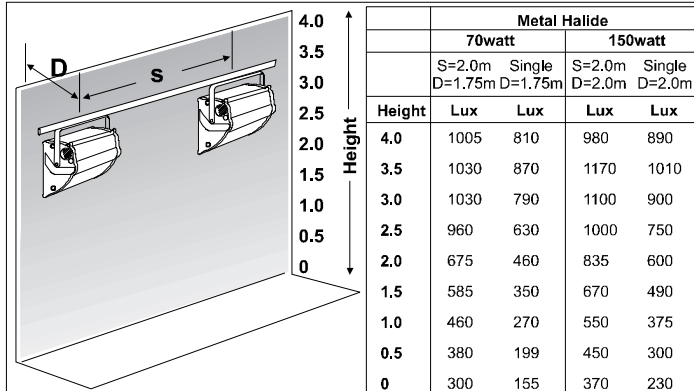
The Astral Metal Halide Wall Washer provides the choice of either the 70w or 150w double ended metal halide lamp. With a powerful even beam the Astral Wall washer with an asymmetric reflector evenly lights a wall up to 5 m high. The colour filter holder introduces an almost unlimited range of colours, extending the creative options. The Astral Wall Washer offers efficiency, strength and performance.

### FEATURES

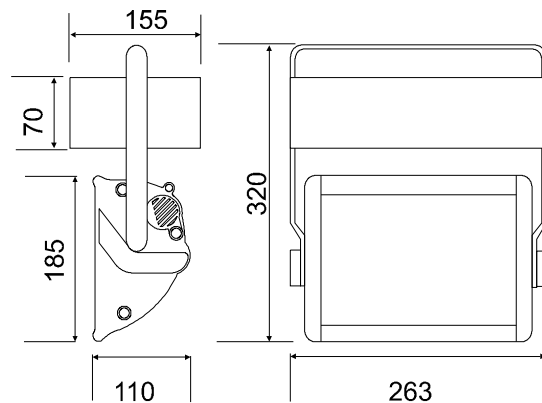
- Smooth and well controlled light output. Choice of 70 watt Metal Halide or 150 watt Metal halide available in a range of colour temperatures
- High quality 'Vossloh Schwabe' Ballast and ignitor
- All aluminium extrusion and plastic injection moulding construction
- Easy and safe access ( auto mains power disconnect) for relamping and maintenance with hinged safety glass
- Universal three circuit track mount adapter or ceiling rose.
- Compliant to CE standards

### PHOTOMETRIC DATA

Metal Halide tests conducted using a standard double ended 240 volt, Metal Halide 70 watt and 150 watt lamp for the respective Metal halide models.



### PHYSICAL DATA



Weight: 70 watt: 3.9Kg                      150 watt:5.2Kg

Included: 1 x safety glass, instruction sheet.

Current consumption:

70 w: < 0.6amps to strike, < 0.5amps to run

150w: < 1.2amps to strike, < 0.96amps to run

### ORDER CODES & ACCESSORIES

Astral Wall-washer 70w M. H. Black	SA-AWWMH70B
Astral Wall-washer 70w M. H. White	SA-AWWMH70W
Astral Wall-washer 70w M. H. Grey	SA-AWWMH70G
Astral Wall-washer 150w M. H. Black	SA-AWWMH150B
Astral Wall-washer 150w M. H. White	SA-AWWMH150W
Astral Wall-washer 150w M. H. Grey	SA-AWWMH150G
3 circuit track mount adapter - black	SAA-TRAB
3 circuit track mount adapter - white	SAA-TRAW
Ceiling mount rose - white	SA - RW
- black	SA - RB

Your Selecon Distributor