



FRESNEL

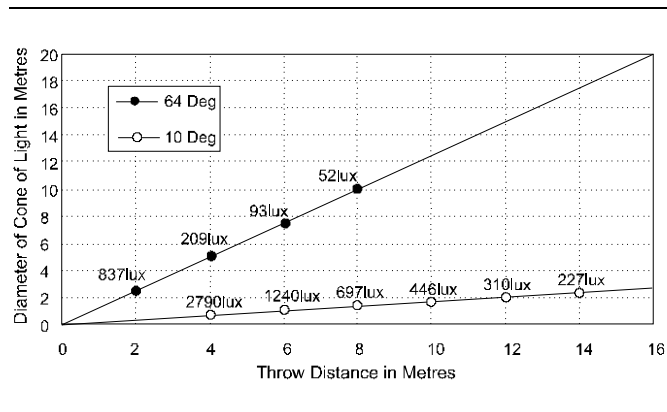
The Astral Fresnel is a 150 watt Metal Halide spotlight with a beam adjustable between 10 and 64 degrees. The cone of light has a soft edge, easily blended with adjacent beams to provide even illumination or a dramatic highlight in spot focus. Constructed of pressure die-castings and aluminium extrusion, the Astral fresnel offers efficiency, strength and performance.

FEATURES

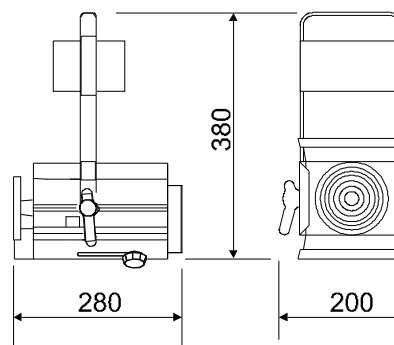
- Long life (6000hrs +), efficient, single ended metal halide lamp. Choice of colour temperature.
- Fitted with integral ballast (optional).
- Adjustable beam angle from 10 to 64 degrees. Shaped using the four flap barndoor accessory.
- Smooth even beam, with very low glare.
- Add colour, dichroic glass, theatre filters or colour scrollers.
- 'Swing-down' door for easy access to lamp or cleaning. Disconnects mains supply on opening.
- Compliant to CE standards.

PHOTOMETRIC DATA

Tests conducted using a standard single ended 150w, Metal Halide 240v lamp



PHYSICAL DATA



Weight: 5.4 Kg

Colour Frame Size: 125mm x 125mm

Included: 1 x colour frame, instruction sheet.

Current consumption:

70 w: < 0.6amps to strike, < 0.5amps to run
 150w: < 1.2amps to strike, < 0.96amps to run

ORDER CODES & ACCESSORIES

Astral Fresnel Black c/w ballast	SA-AFB
Astral Fresnel White c/w ballast	SA-AFW
Astral Fresnel Grey c/w ballast	SA-AFG
Astral Fresnel Black - no ballast	ACACFB
Astral Fresnel White - no ballast	ACACFW
Astral Fresnel Grey - no ballast	ACACFG
Barndoor Black	20BDMF
Barndoor - White	20BDMFW
Lens Safety Mesh	15ACSM
Three circuit track mount adapter - black	SAA-TRAB
- white	SAA-TRAW

Your Selecon Distributor