

Astral

CONDENSOR

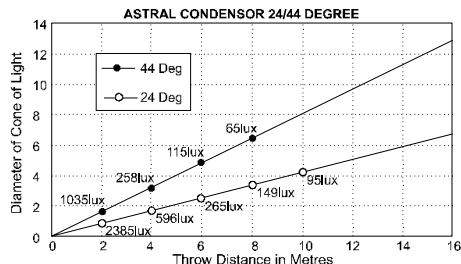
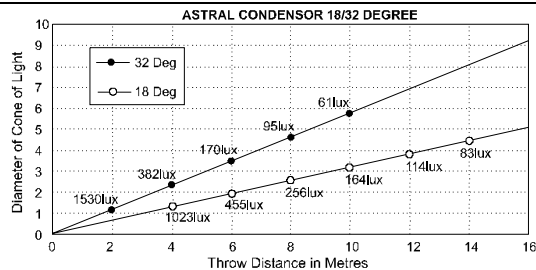
The Astral Condensor is a 150 watt Metal halide variable beam Condensor profile luminaire. The condensor optical system provides a very even flat high output beam, ideal for pattern (gobo) projection and precise highlighting. Constructed of pressure die-castings and aluminium extrusion, the Astral Condensor offers efficiency, strength and performance.

FEATURES

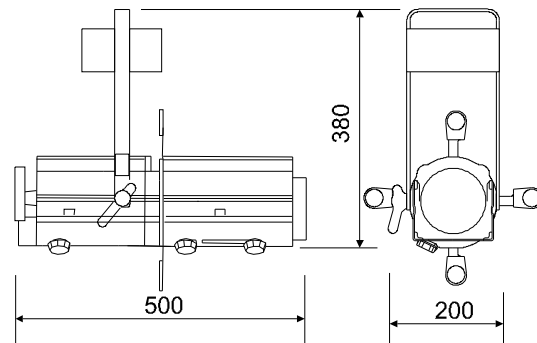
- Long life (6000hrs +), efficient, single ended metal halide lamp.
- Available in 18° - 32° or 24° - 44° beam angles.
- Projector-like dual lens condensor optical system.
- Integral mounted ballast or remote option.
- Slot provided for Iris or rotatable (35°) Gobo Holder. & motorised gobo rotator.
- 'Swing-down' doors for easy access to lamp or lens cleaning. Isolates the mains supply when opened.
- Captive lamp/ reflector and lens focus system moves on brass bearing provides smooth movement
- Three circuit track mounting option.
- Compliant to CE standards.

PHOTOMETRIC DATA

Tests conducted using a standard single ended 150w, Metal Halide 240v lamp



PHYSICAL DATA



Weight: 8.4 Kg

Colour Frame Size: 125mm x 125mm

Pattern (Gobo) size: M

Included: 4 x shutters, 1 x colour frame, instruction sheet

Current consumption:

70 w: < 0.6amps to strike, < 0.5amps to run

150w: < 1.2amps to strike, < 0.96amps to run

ORDER CODES & ACCESSORIES

Astral Condensor 18° - 32° Black	SA-ACPB
Astral Condensor 24° - 44° Black	SA-ACPWB
Astral Condensor 18° - 32° White	SA-ACPW
Astral Condensor 24° - 44° White	SA-ACPWWH
Astral Condensor 18° - 32° Grey	SA-ACPG
Astral Condensor 24° - 44° Grey	SA-ACPGW
Acclaim Iris	15ACIRIS
Acclaim Rotatable Gobo Holder	15ACGH
Motorised Gobo Rotator	RTR008
Lens Safety Mesh	15ACSM
Three circuit Track adapter - white	SAA - TRAW
- black	SAA - TRAB

Your Selecon Distributor