

Heavy-Duty Low Capacity Two Spring Pantograph

Two spring heavy-duty pantograph supporting loads from 5kg up to 20kg with 29mm or 28mm DIN fittings at the top and base of the unit. Choice of two travel range options with provision for the fitting of sockets and cable. Where regulations require an arrestor device can be site fitted to limit the fall of the pantographs full working load in the unlikely event of spring failure. Available with a range of accessories.

- ⌀ 5-20 kg /100kg ✕ 450mm/540mm Ⓢ 4.5m
- ◆ 2550mm/3600mm Ⓢ 13.9kg/15.9kg
- Ⓢ 17kg/20kg/1.5kg
- Ⓢ 585x534x255mm / 204x152x152mm

Cat. No.	Description
32046	2 - Spring Pantograph, 29mm, 2.55m extended length
32002	2 - Spring Pantograph, 29mm, 3.6m extended length
32048	2 - Spring Pantograph, 28mm DIN, 2.55m extended length
32050	2 - Spring Pantograph, 28mm DIN, 3.6m extended length
32052	Pantograph Spring Arrestor Kit

Heavy-Duty High Capacity Four Spring Pantograph

Four spring heavy-duty pantograph supporting loads from 20kg up to 50kg with 29mm or 28mm DIN fittings at the top and base of the unit. Choice of two travel range options with provision for the fitting of sockets and cable. Where regulations require an arrestor device can be site fitted to limit the fall of the pantographs full working load in the unlikely event of spring failure. Available with a range of accessories.

- ⌀ 20-50kg/100kg ✕ 450mm/540mm Ⓢ 4.5m
- ◆ 2550mm/3600mm Ⓢ 17kg/19.1kg
- Ⓢ 20kg/23kg/1.5kg
- Ⓢ 585x534x255mm / 204x152x152mm

Cat. No.	Description
32047	4 - Spring Pantograph, 29mm, 2.55m extended length
32004	4 - Spring Pantograph, 29mm, 3.6m extended length
32049	4 - Spring Pantograph, 28mm DIN, 2.55m extended length
32051	4 - Spring Pantograph, 28mm DIN, 3.6m extended length
32052	Pantograph Spring Arrestor Kit

Light-Duty Two Spring Pantograph

Two spring light duty pantograph supporting loads from 5kg up to 20kg (depending on model selected). Choice of two pantograph and fixture mounts 29mm or 16mm. Pantographs include provision for the fitting of sockets and cable. Spring pairs on installed pantographs can be exchanged on site as required to switch the overall capacity rating of the pantograph between the 12kg and 20kg capacity ranges.

- ⌀ 5kg-12kg/11kg-20kg ✕ 380mm/455mm Ⓢ 3.5m
- ◆ 2180mm/2255mm Ⓢ 6kg/7kg Ⓢ 7kg/8kg
- Ⓢ 585x534x255mm / 102x102x102mm

Cat. No.	Description
32040	Spring Pantograph 16mm, 12kg
32041	Spring Pantograph 16mm, 20kg
32042	Spring Pantograph 29mm, 12kg
32043	Spring Pantograph 29mm, 20kg
32044	Spring Pair Type A, 5 to 12kg
32045	Spring Pair Type B, 11 to 20kg

General Accessories

Cat. No.	Description
82001	Luminaire Safety Bond - 25kg
82002	Luminaire Safety Bond - 50kg
82003	Safety Bond - 75kg
38001	Brake Barrel Trolley 29mm Socket
38003	Brake Barrel Trolley DIN Socket
82012	Hook Clamp with 29mm Socket
82020	16/29mm Spigot Converter

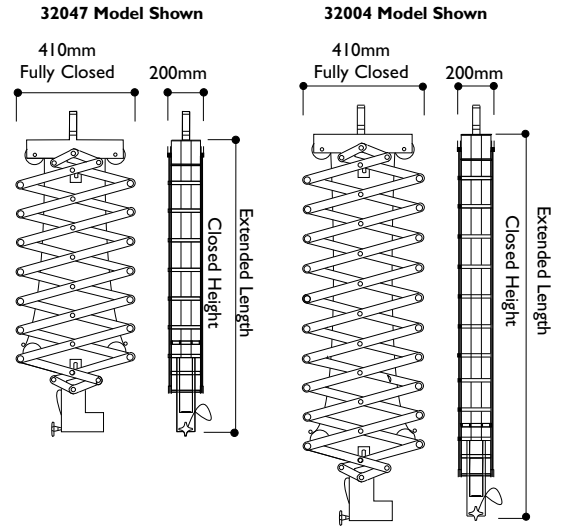
A GUIDE TO SYMBOLS AND ABBREVIATIONS

⌀ Safe Working Load ✕ Closed Height Ⓢ Studio Height ◆ Extended Length Ⓢ Self Weight Ⓢ Packed Weight Ⓢ Packed Size

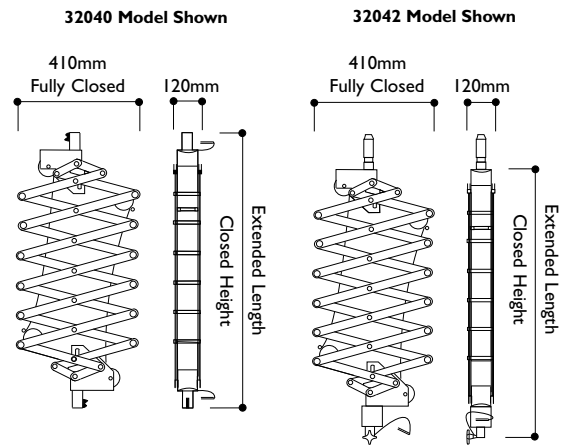
3.2.3

S U S P E N S I O N

HEAVY-DUTY PANTOGRAPH



LIGHT-DUTY PANTOGRAPH



- Simple and quick luminaire height adjustment
- Compact closed height
- Choice of pantograph and fixture mounting
- Choice of travel range and lifting capacity
- Support capacity adjustable on site
- Customised Heavy-Duty alternatives are available to special order

Product Data

Heavy-Duty Low Capacity Two Spring Pantograph

Cat. No.	Description	SWL	Closed Height	Extended Length	Pantograph Mount	Fixture Mount	Self Weight	Packed Weight	Packed Size
32046	2 - Spring Pantograph, 29mm, 2.55m extended	5 to 20kg	450mm	2550mm	29mm spigot	29mm socket	13.9kg	17.0kg	585x534x255mm
32002	2 - Spring Pantograph, 29mm, 3.6m extended	5 to 20kg	540mm	3600mm	29mm spigot	29mm socket	15.9kg	20.0kg	585x534x255mm
32048	2 - Spring Pantograph, 28mm DIN, 2.55m extended	5 to 20kg	450mm	2550mm	28mm DIN spigot	28mm DIN socket	13.9kg	17.0kg	585x534x255mm
32050	2 - Spring Pantograph, 28mm DIN, 3.6m extended	5 to 20kg	540mm	3600mm	28mm DIN spigot	28mm DIN socket	15.9kg	20.0kg	585x534x255mm
32052	Pantograph Spring Arrestor Kit	100kg	-	-	-	-	1.25kg	1.5kg	204x152x152mm

Heavy-Duty High Capacity Four Spring Pantograph

Cat. No.	Description	SWL	Closed Height	Extended Length	Pantograph Mount	Fixture Mount	Self Weight	Packed Weight	Packed Size
32047	4 - Spring Pantograph, 29mm, 2.55m extended	20 to 50kg	450mm	2550mm	29mm spigot	29mm socket	17.0kg	20.0kg	585x534x255mm
32004	4 - Spring Pantograph, 29mm, 3.6m extended	20 to 50kg	540mm	3600mm	29mm spigot	29mm socket	19.1kg	23.0kg	585x534x255mm
32049	4 - Spring Pantograph, 28mm DIN 2.55m extended	20 to 50kg	450mm	2550mm	28mm DIN spigot	28mm DIN socket	17.0kg	20.0kg	585x534x255mm
32051	4 - Spring Pantograph, 28mm DIN, 3.6m extended	20 to 50kg	540mm	3600mm	28mm DIN spigot	28mm DIN socket	19.1kg	23.0kg	585x534x255mm
32052	Pantograph Spring Arrestor Kit	100kg	-	-	-	-	1.25kg	1.5kg	204x152x152mm

Light-Duty Two Spring Pantograph

Cat. No.	Description	SWL	Closed Height	Extended Length	Pantograph Mount	Fixture Mount	Self Weight	Packed Weight	Packed Size
31040	Spring Pantograph 16mm, 5 to 12kg	5 to 12kg	380mm	2180mm	16mm socket	16mm socket	6.0kg	7.0kg	585x534x255mm
31041	Spring Pantograph 16mm, 11 to 20kg	11 to 20kg	380mm	2180mm	16mm socket	16mm socket	6.0kg	7.0kg	585x534x255mm
31042	Spring Pantograph 29mm, 5 to 12kg	5 to 12kg	455mm	2255mm	29mm spigot	29mm socket	7.0kg	8.0kg	585x534x255mm
31043	Spring Pantograph 29mm, 11 to 20kg	11 to 20kg	455mm	2255mm	29mm spigot	29mm socket	7.0kg	8.0kg	585x534x255mm
31044	Spring Pair Type A, 5 to 12kg	5 to 12kg	-	-	-	-	1.5kg	2.0kg	102x102x102mm
31045	Spring Pair Type B, 11 to 20kg	11 to 20kg	-	-	-	-	1.5kg	2.0kg	102x102x102mm

Accessories

Cat. No.	Description	SWL	Self Weight
82001	Luminaire Safety Bond - 25kg	25kg	-
82002	Luminaire Safety Bond - 50kg	50kg	-
82003	Safety Bond - 75kg	75kg	-
38001	Brake Barrel Trolley 29mm Socket	75kg	2.5kg
38003	Brake Barrel Trolley DIN Socket	75kg	2.9kg
82012	Luminaire Hook Clamp with 29mm Socket	50kg	1.1kg
82020	16mm/29mm Spigot Converter	25kg	0.2kg



Strand Lighting

London: Strand Lighting Ltd, Grant Way, Isleworth, Middlesex, TW7 5QD, United Kingdom.
Tel: +44 (0)181 560 3171 Fax: +44 (0)181 568 2103

Wolfenbüttel: Strand Lighting GmbH, Salzbergstraße 2, 38302 Wolfenbüttel, Germany.
Tel: +49 (0) 5331 3008-8 Fax: +49 (0) 5331 78883

Rome: Strand Lighting Srl, Via delle Gardenie 33, Pontina Vecchia Km 33.400, 00040 Pomezia-Roma, Italy
Tel: +39 (0) 6 914 7123 Fax: +39 (0) 6 914 7136

Brussels: Strand Lighting Ltd, Chaussée de Haecht 1801, 1130 Bruxelles, Belgium
Tel: +32 (0) 2 245 8686 Fax: +32 (0) 2 245 2235

Stockholm: Strand Lighting Ltd, Box 20105, Tappvägen 24, 161 02 Bromma, Sweden
Tel: +46 (0) 8 799 6950 Fax: +46 (0) 8 799 6954

ALSO FACILITIES IN: LOS ANGELES • NEW YORK • HONG KONG • MILANO • MUNICH • BERLIN



The Company reserves the right to make any variation in design or construction to the equipment described. © Strand Lighting Ltd 1995. Strand™, Strand Lighting™ are trade marks of Strand Lighting Limited and Strand Lighting Inc. Strand Lighting is a company within the Film & Television Division of The Rank Organisation Plc, United Kingdom. Country of origin United Kingdom.

© Copyright Strand Lighting Limited November 1995