

Lekolite® Spotlight

6" (152mm) Variable Focus

New Design, Adjustable Lenses and Sliding Yoke

- ◀ Variable focus: from 15° to 40° or anywhere between
- ◀ New sliding yoke design for better balance and operating ease
- ◀ Extruded aluminum construction for light-weight strength
- ◀ Soft focus capability permits overlapping areas of light on stage

Specifications:

The unit shall be 500W, 750W, 1000W ellipsoidal reflector variable focus spotlight with TP-22 socket to accommodate an axially mounted tungsten-halogen lamp, a double flatted ellipsoidal specular Alzak processed aluminum reflector, four push shutters and a template slot, all mounted within an extruded aluminum housing. The fixture housing shall have linear die-cut slots to allow adequate venting and cooling of the interior without allowing the passage of stray internal reflections. Further reduction of temperature shall be accomplished through the use of a die-cast finned heat sink around the lamp socket.

A 6" x 16" (152mm x 406mm) and a 4½" x 6½" (114.5mm x 165mm) lens combination shall provide continuously variable soft or sharp beam definition between 15° and 40° beam spreads. Modifying the beam spreads shall not require disassembly of the unit, or handling of lenses. Both plano-convex lenses shall be ground and polished high temperature borosilicate glass. They shall be mounted on a carriage track which shall allow each lens to slide independently on Teflon® guides and shall lock into place with thermally insulated plastic knobs.

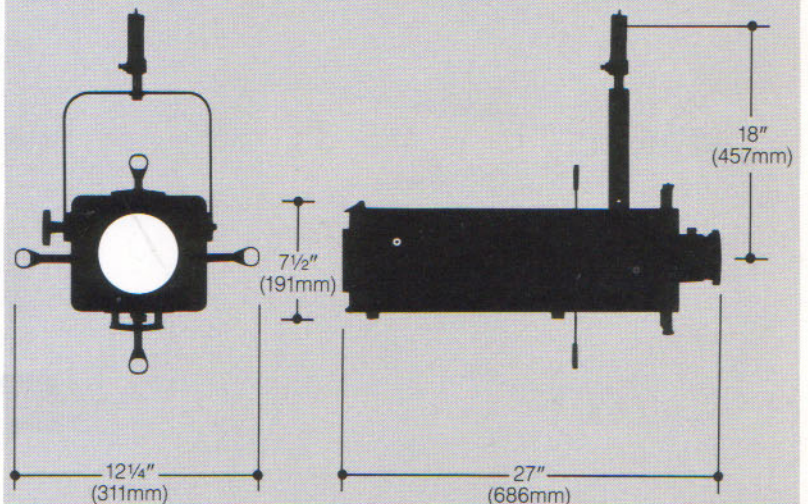
Lamp focusing shall be accomplished without the use of tools and shall be continuously variable. The lamp housing assembly shall consist of a finned aluminum heat sink with a thermally insulated plastic ring attached at the rear. A lamp alignment knob shall allow socket movement to adjust the light distribution across the field. The complete lamp assembly shall slide within the rear fixture housing for linear focus adjustment of the field from peak (hot center) to flat field. A thermally insulated plastic knob shall lock the lamp housing securely in position.

Each unit shall be supplied with a malleable iron - C-clamp to grip up to 2" pipe, a rolled steel yoke with a locking, thermally insulated tee handle and 3' (0.9m) type TAGT leads rated at 250°C in fiberglass sleeving. Exterior finish shall be baked black enamel. The underside of the unit shall indicate the lens positions for 15°, 20°, 30° and 40° beam spreads.

Entire unit shall be U.L. listed.



Dimensions:



Weight: 23.7 lbs. (10.8kg)

Lekolite® Spotlight

6" Variable Focus

Accessories:

Color frame	1108
High hat	1332
Pattern holder	1346
Set of 6 patterns	1352
Iris kit	1356

Performance Data:

Lamp: FEL, 1000W, 300 Hrs., 3200°K

All performance data shown at cosine distribution where 1/2 of center intensity is reached at 2/3 of total spread. Cosine distribution is suitable for average conditions when several units are blended for smooth lighting of an area.

Peak Distribution:

15°	337,000 BCP	MF	.26
20°	350,000 BCP	MF	.35
30°	306,000 BCP	MF	.54
40°	211,000 BCP	MF	.73

Other Lamps: multiply intensity by M.F. below:

Lamp	Watts	M.F.	Life (Hrs.)	Color Temp. (°K)
EHC/EHB	500	.47	200	3200
EHD	500	.36	2000	3000
EHF	750	.73	300	3200
EHG	750	.54	2000	3000
FKR 220/240V	650	.55	300	3100
CP77 220/240V	1000	.96	300	3200

15° Position

Distance — Feet	40	50	60	70
Footcandles — at Center	128	82	57	42
Diameter — Feet	10.5	13.2	15.8	18.4

1/2-Peak Angle — 10°



Cut-off Angle — 15°

Distance — Meters	12	15	18	21
Lux — at Center	1417	907	630	463
Diameter — Meters	3.2	4	4.7	5.5

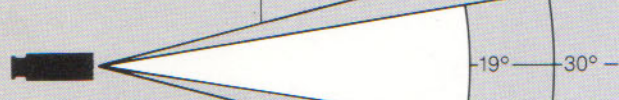
Performance

at Any Distance: Footcandles or Lux = 204,000/Distance²
Diameter = Distance x .26

30° Position

Distance — Feet	25	30	35	40
Footcandles — at Center	147	102	75	58
Diameter — Feet	13.5	16.2	18.9	21.6

1/2-Peak Angle — 19°



Cut-Off Angle — 30°

Distance — Meters	8	9	10	11
Lux — at Center	1437	1136	920	760
Diameter — Meters	4.3	4.9	5.4	5.9

Performance

at Any Distance: Footcandles or Lux = 92,000/Distance²
Diameter = Distance x .54

20° Position

Distance — Feet	35	40	45	50
Footcandles — at Center	127	98	77	62
Diameter — Feet	12.3	14.1	15.9	17.6

1/2-Peak Angle — 12°



Cut-off Angle — 20°

Distance — Meters	10	12	14	16
Lux — at Center	1560	1083	796	609
Diameter — Meters	3.5	4.2	4.9	5.6

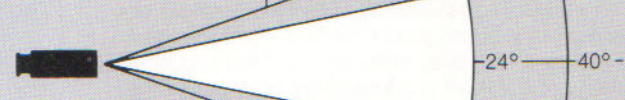
Performance

at Any Distance: Footcandles or Lux = 156,000/Distance²
Diameter = Distance x .35

40° Position

Distance — Feet	20	25	30	35
Footcandles — at Center	125	80	56	41
Diameter — Feet	14.6	18.2	21.8	25.5

1/2-Peak Angle — 24°



Cut-Off Angle — 40°

Distance — Meters	7	8	9	10
Lux — at Center	1020	781	549	500
Diameter — Meters	5.1	5.8	6.6	7.3

Performance

at Any Distance: Footcandles or Lux = 50,000/Distance²
Diameter = Distance x .73



Los Angeles — 18111 South Santa Fe Ave, P.O. Box 9004, Rancho Dominguez, California 90224 Tel: (213) 637-7500, Telex: 664741

London — P.O. Box 51, Great West Road, Brentford, Middlesex TW8 9HR Tel: 01 560 3171, Telex: 27976

Toronto — 6490 Viscount Road, Mississauga, Ontario, Canada L4V 1H3 Tel: (416) 677-7130, Telex: 06968646

West Germany — 3340 Wolfenbüttel 16 — Salzdahlum Tel: 0 53 31/79 51-53, Telex: 95641

Hong Kong — 802 Houston Centre, 63 Mody Road, Tsimshatsui East, Kowloon Tel: 3-685161, Telex: 44953

Facilities in Paris and New York

A SUBSIDIARY OF THE RANK ORGANISATION