

## Lekolite® Spotlight

4½" (114mm) Variable Focus

### New Design, Adjustable Lenses and Compact Size

- ◀ Variable focus: 25°, 30°, 40°, 50° or anywhere between, at the touch of a knob
- ◀ Standard Lekolite lamp positioning: no tools required for focus or replacement
- ◀ Extruded aluminum construction for light-weight strength
- ◀ Thermally insulated operating controls
- ◀ New lens and reflector design for outstanding performance

### Specifications:

The unit shall be 150W, 250W, 400W, 500W ellipsoidal reflector variable focus spotlight with mini-can socket to accommodate an axially mounted tungsten-halogen lamp, a double flatted ellipsoidal specular Alzak processed aluminum reflector, four push shutters and a template slot, all mounted within an extruded aluminum housing. The fixture housing shall have linear die-cut slots to allow adequate venting and cooling of the interior without allowing the passage of stray internal reflections. Further reduction of temperature shall be accomplished through the use of die-cast finned heat sink around the lamp socket.

A 4½" x 9" (114.5mm x 229mm) and a 4½" x 6½" (114.5mm x 165mm) lens combination shall provide continuously variable soft or sharp beam definition between 25° and 50° beam spreads. Modifying the beam spreads shall not require disassembly of the unit, or handling of the lenses. Both plano-convex lenses shall be ground and polished high temperature borosilicate glass. They shall be mounted on a carriage track which shall allow each lens to slide independently on Teflon® guides and shall lock into place with thermally insulated plastic knobs.

Lamp focusing shall be accomplished without the use of tools and shall be continuously variable. The lamp housing assembly shall consist of a finned aluminum heat sink with a thermally insulated plastic ring attached at the rear. A lamp alignment knob shall allow socket movement to adjust the light distribution across the field. The complete lamp assembly shall slide within the rear fixture housing for linear focus adjustment of the field from peak (hot center) to flat field. A thermally insulated plastic knob shall lock the lamp housing securely in position.

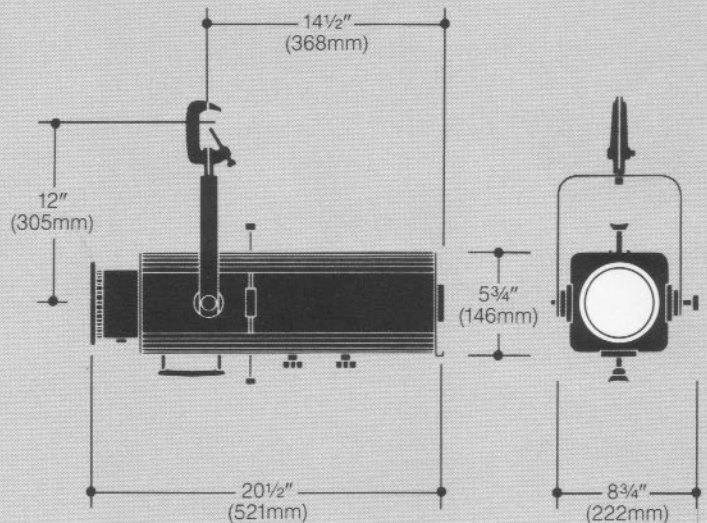
Each unit shall be supplied with a malleable iron - C-clamp to grip up to 2" (51mm) pipe, a rolled steel yoke with a locking, thermally insulated tee handle and 3' (0.9m) type TAGT leads rated at 250°C in fiberglass sleeving. Exterior finish shall be baked black enamel.

The underside of the unit shall indicate the lens positions for 25°, 30°, 40° and 50° beam spreads.

Entire unit shall U.L. listed and CSA approved in Canada.



### Dimensions:



**Weight:** 15 lbs. (6.75kg)

## Lekolite® Spotlight 4.5" Variable Focus

### Accessories:

Color frame .....	1105
High hat .....	1331
Pattern holder .....	1345
Set of 6 patterns .....	1352
Iris kit .....	1355

### Performance Data:

**Lamp:** EVR, 500W, 2000 Hrs., 2900°K

All performance data shown at cosine distribution where 1/2 of center intensity is reached at 2/3 of total spread. Cosine distribution is suitable for average conditions when several units are blended for smooth lighting of an area.

**Other Lamps:** multiply intensity by M.F. below:

Lamp	Watts	M.F.	Life (Hrs.)	Color Temp. (°K)
Q150 CL/MC	150	.27	2000	2900
EHT	250	.48	2000	3000
Q400 CL/MC	400	.79	2000	2900
JD500 220/240V	500	.96	500	3000

#### 25° Position

Distance — Feet	20	25	30	35
Footcandles — at Center	65	42	29	21
Diameter — Feet	8.8	11	13.2	15.4

1/2-Peak Angle — 16°



Cut-Off Angle — 25°

Distance — Meters	6	7.5	9	10.5
Lux — at Center	722	462	321	236
Diameter — Meters	2.6	3.3	4	4.6

#### Performance

at Any Distance: Footcandles or Lux = 26,000/Distance<sup>2</sup>  
Diameter = Distance x .44

#### 30° Position

Distance — Feet	15	20	25	30
Footcandles — at Center	111	62.5	40	28
Diameter — Feet	8.1	10.8	13.5	16.2

1/2-Peak Angle — 20°



Cut-Off Angle — 30°

Distance — Meters	4.5	6	7.5	9
Lux — at Center	1235	694	444	309
Diameter — Meters	2.4	3.2	4	4.9

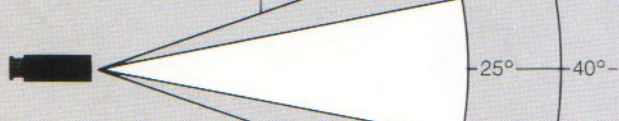
#### Performance

at Any Distance: Footcandles or Lux = 25,000/Distance<sup>2</sup>  
Diameter = Distance x .54

#### 40° Position

Distance — Feet	10	15	20	25
Footcandles — at Center	180	80	45	29
Diameter — Feet	7.3	11	14.6	18.25

1/2-Peak Angle — 25°



Cut-Off Angle — 40°

Distance — Meters	3	4.5	6	7.5
Lux — at Center	2000	889	500	320
Diameter — Meters	2.2	3.3	4.4	5.5

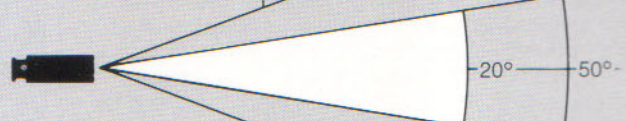
#### Performance

at Any Distance: Footcandles or Lux = 18,000/Distance<sup>2</sup>  
Diameter = Distance x .73

#### 50° Position

Distance — Feet	7.5	10	12.5	15
Footcandles — at Center	249	140	90	62
Diameter — Feet	7	9.3	11.6	14

1/2-Peak Angle — 20°



Cut-Off Angle — 50°

Distance — Meters	2	3	4	5
Lux — at Center	3500	1556	875	560
Diameter — Meters	1.9	2.8	3.7	4.7

#### Performance

at Any Distance: Footcandles or Lux = 14,000/Distance<sup>2</sup>  
Diameter = Distance x .93



Los Angeles — 18111 South Santa Fe Ave, P.O. Box 9004, Rancho Dominguez, California 90224 Tel: (213) 637-7500, Telex: 664741

London — P.O. Box 51, Great West Road, Brentford, Middlesex TW8 9HR Tel: 01 560 3171, Telex: 27976

Toronto — 6490 Viscount Road, Mississauga, Ontario, Canada L4V 1H3 Tel: (416) 677-7130, Telex: 06968646

West Germany — 3340 Wolfenbüttel 16 — Salzdahlum Tel: 0 53 31/79 51-53, Telex: 95641

Hong Kong — 802 Houston Centre, 63 Mody Road, Tsimshatsui East, Kowloon Tel: 3-685161, Telex: 44953

Facilities in Paris and New York