



STUDIO 1 kW Quartz Halogen Fresnel

- Improved light quality and output, producing a flatter and more even field
- High quality, rugged, durable
- Corrosion resistant for longer life
- Compatibility of parts throughout the range
- A comprehensive range of accessories, interchangeable with existing Quartzcolor products
- Easy to service and maintain
- Bonding eyes and rigging hooks
- Front and back focusing
- New worm drive mechanism for precise focusing
- New focus system, easy to adapt from manual to pole operation and maintenance free
- New easy running barndoors ears
- Scratch resistant black non-reflective housing
- CE mark, c UL us listed



Operational data

Safety:

25 x 25 mm wire mesh guard.

Accessory fitting:

Die cast aluminium ears.
Spring loaded top and lower catch for retention of accessories.

Tilt adjustment:

Pivot located at centre of gravity for excellent balance and positive locking.

Focus adjustment:

Front and rear focusing knobs (MO) or front and rear focusing knobs plus side mechanism (PO) for smooth and precise action from spot to flood positions

Lamp access:

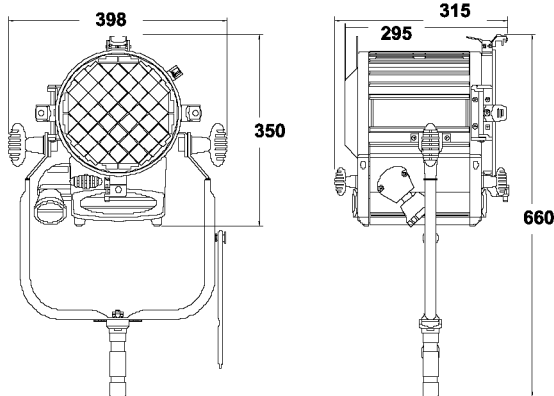
Hinged lens door allows easy access for lamp replacement.

Weights & dimensions

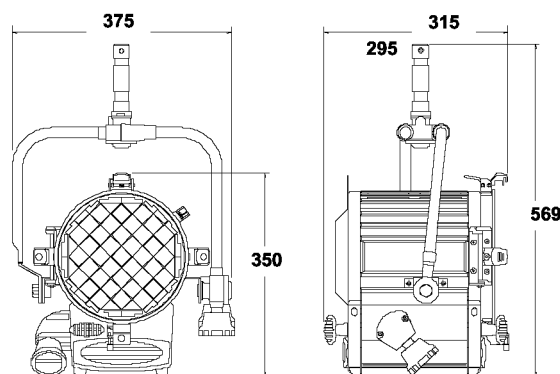
Lens diameter	175 mm
Accessory diameter	270 mm
Filter cut size	195 x 195 mm
Weight (head + stirrup) M.O.	7.5kg
Weight (head + stirrup) P.O.	11kg
Packed weight M.O.	9.5kg
Packed weight P.O.	13kg

Packed volume

M.O.	430 x 370 x 400 mm
P.O.	460 x 430 x 490 mm



M.O.



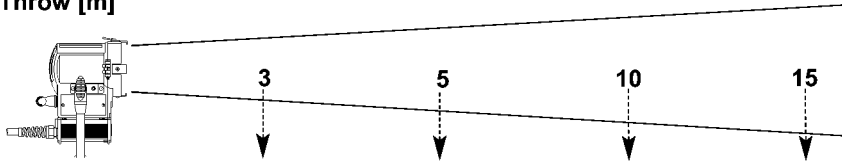
P.O.



Photometric data

Typical performance based on CP 40 - 1000 W lamp

Throw [m]



	Lux	φ [m]	Lux	φ [m]	Lux	φ [m]	Lux	φ [m]
SPOT (12.3°)	10,000	0.6	3,600	1	900	2.1	400	3.2
FLOOD (58.2°)	1,560	3.3	560	5.6	140	11.1	60	16.7

Lamp data

Lamp code	CP40 - 1000 W
LCL (mm)	63.5
Base	G22
Lumens	26000
Rated life hours (H)	250
Colour temp. (K)	3200

Mechanical data

- Paint / Finish:** Powder coated epoxy paint with special extra high temperature treatment in critical areas. External textured low gloss finish
- Lamp house** Die cast aluminium components, stainless steel housing
- Mounting:** Robust tubular MO or PO steel stirrup with EURO spigot

Environmental Data

- Max operating ambient temperature:** 45°C
- IP Rating:** IP 20
- Tilt recommended angle of use:** -90° / 0 / 90°

Electrical data

- Cable / Switching:** 7 m 3x1.5 mm² with in-line 8 A / 250 V ON-OFF toggle switch
- Standards compliance:** CE mark, c UL us listed

Ordering information

Cat No Description

- 27250** **Studio 1 kW M.O.**
supplied with stirrup, colour frame, 4 leaf rotating barndoor
- 27252** **Studio 1 kW P.O.**
supplied with P.O.stirrup, colour frame, 4 leaf rotating barndoor

Optional Accessories

Cat. No Description

- 28859** Colour frame
- 28050** 4 leaf barndoor
- 28304** Scrim set
(one double scrim, one single scrim, one half double scrim, one half single scrim)
- 28850** Cone S
- 28851** Cone M
- 28852** Cone L

Strand Lighting Ltd
Unit 3 Hammersmith Studios, Yeldham Road,
Hammersmith, London W6 8JF United Kingdom
Tel: +44 (020) 8735 9790
Fax +44 (020) 8735 9799

Strand Lighting GmbH
Ullsteinstrasse 114-142 D-12109
Berlin, Germany
Tel: +49 (0) 30/70 79 51 0
Fax: +49 (0) 30/70 79 519 9

Strand Lighting Italia srl
Via delle Gardenie 33 00040
Pomezia-Roma, Italy
Tel: +39 06 919631
Fax: +39 06 9147136

Strand Lighting Asia
20/F Delta House, 3 On Yiu Street
Shatin, N.T. Hong Kong
Tel: (852) 2757 3033
Fax: (852) 2757 1767



The Company reserves the right to make any variation in design or construction to the equipment described.
© Strand Lighting Ltd. 2002
Strand™, Strand Lighting™, Strand Quartzcolor™ are trademarks of Strand Lighting Limited and Strand Lighting Inc.