



BAMBINO 2kW

Quartz Halogen Fresnels

- ❑ Improved light quality and output, producing a flatter and more even field
- ❑ High quality, rugged, durable
- ❑ Corrosion resistant for longer life
- ❑ Compatibility of parts throughout the range
- ❑ A comprehensive range of accessories, interchangeable with existing Quartzcolor products
- ❑ Easy to service and maintain
- ❑ Bonding eyes and rigging hooks
- ❑ Front and back focusing
- ❑ New worm-drive mechanism for precise focusing
- ❑ New focus system, easy to adapt from manual to pole operation and maintenance free
- ❑ New easy-running barndoors ears
- ❑ Scratch-resistant black non-reflective housing
- ❑ CE mark, c UL us listed



Operational data

Safety:

25 x 25 mm wire mesh guard.

Accessory fitting:

Die cast aluminium ears.
Spring loaded top and lower catch for retention of accessories.

Tilt adjustment:

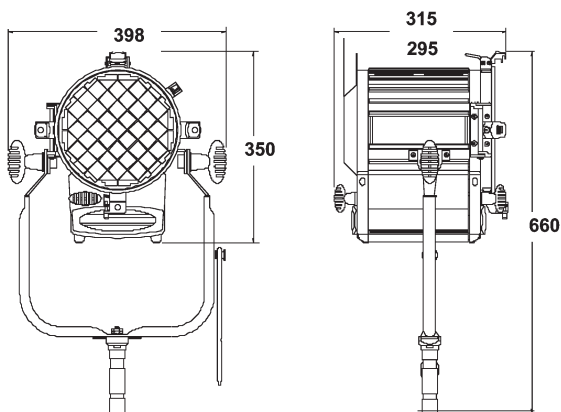
Pivot located at centre of gravity for excellent balance and positive locking.

Focus adjustment:

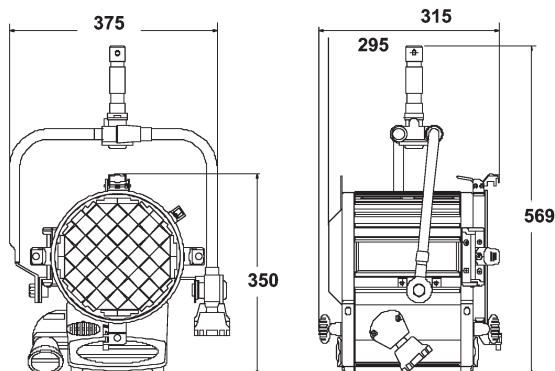
Front and rear focusing knobs (MO units) or side mechanism (PO units) for smooth and precise action from spot to flood positions

Lamp access:

Hinged lens door allows easy access for lamp replacement.



M.O.



P.O.

Weights & dimensions

Lens diameter 175 mm

Accessory diameter 270 mm

Filter cut size 195 x 195 mm

Weight (head + stirrup) M.O. 10 kg

Weight (head + stirrup) P.O. 14 kg

Packed weight M.O. 12 kg

Packed weight P.O. 16 kg

Packed volume

M.O. 460 x 430 x 490 mm

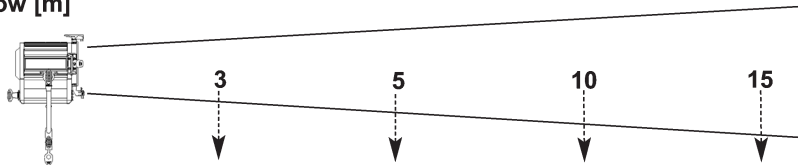
P.O. 510 x 460 x 540 mm



Photometric data

Typical performance based on CP 41 - 2000 W lamp:

Throw [m]



	Lux	φ [m]	Lux	φ [m]	Lux	φ [m]	Lux	φ [m]
SPOT (12°)	18,780	0.6	6,760	1	1,690	2.1	750	3.1
FLOOD (62.2°)	3,560	3.6	1280	6	320	12	140	18

Lamp data

Lamp code	CP41 - 2000 W
LCL (mm)	127
Base	G38
Lumens	54000
Rated life hours (H)	400
Colour temp. (K)	3200

Mechanical data

- Paint / Finish:** Powder coated epoxy paint with special extra high temperature treatment in critical areas. External textured low gloss finish
- Lamp house** Die cast aluminium components, stainless steel housing
- Mounting:** Robust tubular MO or PO steel stirrup with EURO spigot

Environmental Data

- Max operating ambient temperature:** 45°C
- IP Rating:** IP 20
- Tilt recommended angle of use:** -60° / 0 / 60°

Electrical data

- Cable / Switching:** 7 m 3 x 2.5 mm² with in-line 20 A / 250 V ON-OFF toggle switch
- Standards compliance:** CE mark, c UL us listed

Ordering information

Cat No Description

- 27650 Bambino 2 kW M.O.** supplied with stirrup, colour frame, 4 leaf rotating barndoor
- 27652 Bambino 2 kW P.O.** supplied with P.O. stirrup, colour frame, 4 leaf rotating barndoor

Optional Accessories

Cat. No Description

- 28859** Colour frame
- 28050** 4 leaf barndoor
- 28304** Scrim set (one double scrim, one single scrim, one half double scrim, one half single scrim)
- 28850** Cone S
- 28851** Cone M
- 28852** Cone L

Strand Lighting Ltd
 Unit 3 Hammersmith Studios, Yeldham Road,
 Hammersmith, London W6 8JF United Kingdom
 Tel: +44 (020) 8735 9790
 Fax +44 (020) 8735 9799

Strand Lighting GmbH
 Ullsteinstrasse 114-142 D-12109
 Berlin, Germany
 Tel: +49 (0) 30/70 79 51 0
 Fax: +49 (0) 30/70 79 519 9

Strand Lighting Italia srl
 Via delle Gardenie 33 00040
 Pomezia-Roma, Italy
 Tel: +39 06 919631
 Fax: +39 06 9147136

Strand Lighting Asia
 20/F Delta House, 3 On Yiu Street
 Shatin, N.T. Hong Kong
 Tel: (852) 2757 3033
 Fax: (852) 2757 1767



The Company reserves the right to make any variation in design or construction to the equipment described.
 © Strand Lighting Ltd. 2002
 Strand™, Strand Lighting™, Strand Quartzcolor™ are trademarks of Strand Lighting Limited and Strand Lighting Inc.