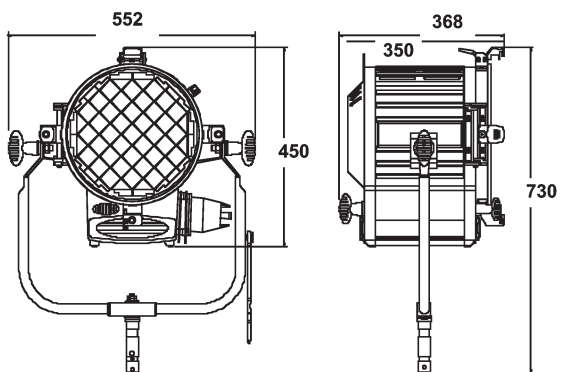


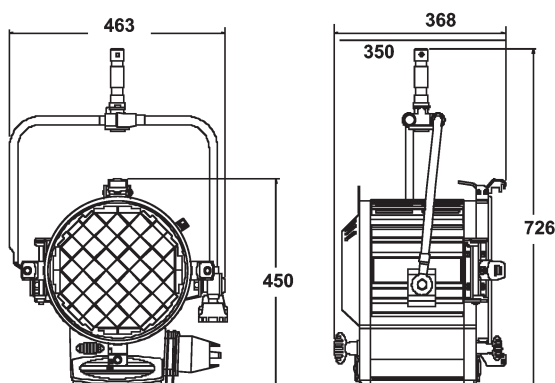


BAMBINO 5kW Quartz Halogen Fresnels

- ❑ Improved light quality and output, producing a flatter and more even field
- ❑ High quality, rugged, durable
- ❑ Corrosion resistant for longer life
- ❑ Compatibility of parts throughout the range
- ❑ A comprehensive range of accessories, interchangeable with existing Quartzcolor products
- ❑ Easy to service and maintain
- ❑ Bonding eyes and rigging hooks
- ❑ Front and back focusing
- ❑ New worm-drive mechanism for precise focusing
- ❑ New focus system, easy to adapt from manual to pole operation and maintenance free
- ❑ New easy-running barndoors ears
- ❑ Scratch-resistant black non-reflective housing
- ❑ CE mark, c UL us listed



M.O.



P.O.



Operational data

Safety:

25 x 25 mm wire mesh guard.

Accessory fitting:

Die cast aluminium ears.

Spring loaded top and lower catch for retention of accessories.

Tilt adjustment:

Pivot located at centre of gravity for excellent balance and positive locking.

Focus adjustment:

Front and rear focusing knobs (MO units) or side mechanism (PO units) for smooth and precise action from spot to flood positions

Lamp access:

Hinged lens door allows easy access for lamp replacement.

Weights & dimensions

Lens diameter 250 mm

Accessory diameter 325 mm

Filter cut size 320 x 320 mm

Weight (head + stirrup) M.O. 16 kg

Weight (head + stirrup) P.O. 19 kg

Packed weight M.O. 20 kg

Packed weight P.O. 23 kg

Packed volume

M.O. 610 x 640 x 750 mm

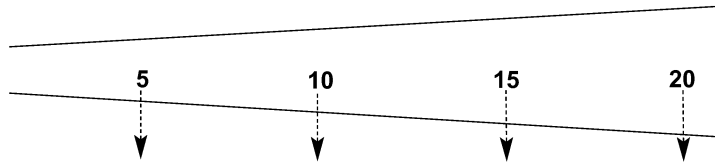
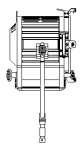
P.O. 610 x 640 x 750 mm



Photometric data

Typical performance based on CP 29 - 5000 W lamp:

Throw [m]



	Lux	φ [m]	Lux	φ [m]	Lux	φ [m]	Lux	φ [m]
SPOT (14.5°)	15,120	1.3	3,780	2.5	1,680	3.8	950	5
FLOOD (60.3°)	3,880	5.8	970	11.6	430	17.4	240	23.2

Lamp data

Lamp code	CP29 - 5000 W
LCL (mm)	165
Base	G38
Lumens	135000
Rated life hours (H)	500
Colour temp. (K)	3200

Mechanical data

Paint / Finish:	Powder coated epoxy paint with special extra high temperature treatment in critical areas. External textured low gloss finish
Lamp house	Die cast aluminium components, stainless steel housing
Mounting:	Robust tubular MO or PO steel stirrup with EURO spigot

Environmental Data

Max operating ambient temperature:	45°C
IP Rating:	IP 20
Tilt recommended angle of use:	-60° / 0 / 60°

Electrical data

Cable / Switching: 7m 3x4 mm² with side mounted 32 A / 250 V ON-OFF toggle switch (MO) or with side mounted 45 A / 250 V ON-OFF rotary switch (PO)

Standards compliance: CE mark, c UL us listed

Ordering information

Cat No Description

27660	Bambino 5 kW M.O. supplied with stirrup, colour frame, 4 leaf rotating barndoor
27662	Bambino 5 kW P.O. supplied with P.O. stirrup, colour frame, 4 leaf rotating barndoor

Optional Accessories

Cat. No Description

28093	Colour frame
28070	4 leaf barndoor
28306	Scrim set (one double scrim, one single scrim, one half double scrim, one half single scrim)
28090	Cone S
28091	Cone M
28092	Cone L

Strand Lighting Ltd

Unit 3 Hammersmith Studios, Yeldham Road,
Hammersmith, London W6 8JF United Kingdom
Tel: +44 (020) 8735 9790
Fax +44 (020) 8735 9799

Strand Lighting GmbH

Ullsteinstrasse 114-142 D-12109
Berlin, Germany
Tel: +49 (0) 30/70 79 51 0
Fax: +49 (0) 30/70 79 519 9

Strand Lighting Italia srl

Via delle Gardenie 33 00040
Pomezia-Roma, Italy
Tel: +39 06 919631
Fax: +39 06 9147136

Strand Lighting Asia

20/F Delta House, 3 On Yiu Street
Shatin, N.T. Hong Kong
Tel: (852) 2757 3033
Fax: (852) 2757 1767



The Company reserves the right to make any variation in design or construction to the equipment described.
© Strand Lighting Ltd. 2002
Strand™, Strand Lighting™, Strand Quartzcolor™ are trademarks of Strand Lighting Limited and Strand Lighting Inc.