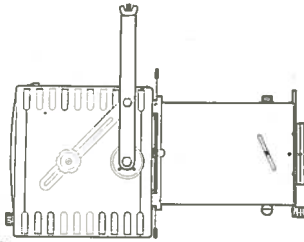


Rank Strand Profile Spots



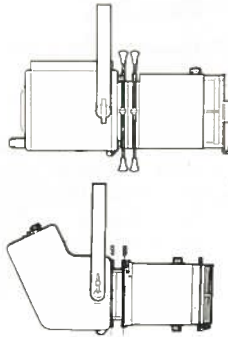
Max. Width 17 in. (430 mm)
Weight 54 lb. (24.5 kg)
Scale 1 : 20

Patt. 253

2000W

Pressed steel body with top access to 15° pre-tilted P40s holder for 2000W Class A1/218 or CP/28 tungsten halogen (hard glass) tubular lamp. 9-in. (230-mm) dia. faceted ellipsoidal reflector. Four beam-shaping shutters, built-in iris diaphragm and gate runners. Helically sliding internal lens tube with 8×13-in. (200×330-mm) p.c. lens providing wide 24° max. spread. Die-cast front with double runners and a 11½-in. (300 mm) square colour frame.

Hand-operated magazine for four colours, ref. 636.



Max. Width 12 in. (305 mm)
Weight 16½ lb. (7.5 kg)
Scale 1 : 20

Patt. 764, 764W Patt. 264, 264W

Tungsten Halogen 1000W
Bifocal Spot 1000W

Pressed steel body with bottom-hinged front access. 6½-in. (160-mm) dia. faceted ellipsoidal reflector. Four hard-edge and four soft-edge beam-shaping shutters and gate runners. Sliding lens tube with 6-in. (150-mm) diameter p.c. lens. Die-cast front and runners.

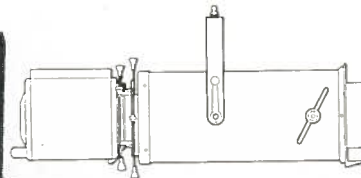
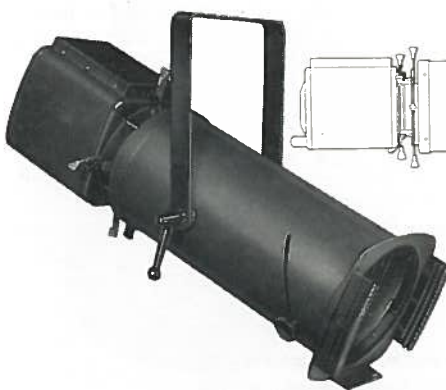
Patt. 764—with GX9.5 holder for 1000W Class T/9 tungsten halogen lamp (400 hour obj. life), 20° max. beam spread. 7½-in. (190-mm) square colour frame.

Patt. 764W—as above, but wide 30° max. beam spread.

Patt. 264—with pre-tilted P28s holder, as illustrated, for 1000W Class T/4 lamp (200 hour obj. life), 17° max. beam spread. 6½-in. (165-mm) square colour frame.

Patt. 264W—as above, but 26° max. beam spread.

Iris diaphragm, ref. 625.



Max. Width 12 in. (305 mm)
Weight 31 lb. (14 kg)
Scale 1 : 20

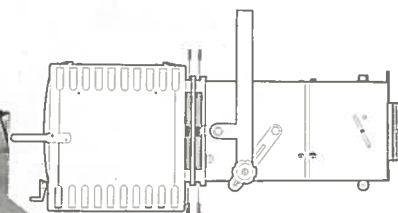
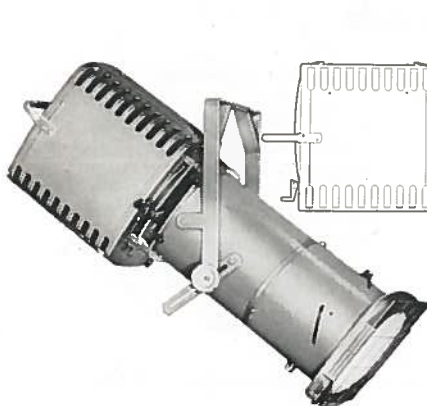
Patt. 774

Tungsten Halogen 1000W

Long Range Bifocal Spot

Pressed steel body with bottom-hinged lamphouse. GX9.5 holder for Class T/9 1000W tungsten halogen lamp (400 hour obj. life). 6½-in. (160-mm) diameter faceted ellipsoidal reflector. Four hard-edge and four soft-edge beam-shaping shutters and gate runners. Helically sliding internal lens tube with twin 8-in. (200-mm) diameter long focus p.c. lenses providing narrow 10.5° max. beam spread. Die-cast front with double runners and a 8½-in. (215-mm) square colour frame.

Iris diaphragm, ref. 625.



Max. Width 17 in. (430 mm)
Weight 60 lb. (27.2 kg)
Scale 1 : 20

Patt. 294

Bifocal Spot 2000W

Pressed steel body with rear handle. Top access to 15° pre-tilted P40s holder for 2000W Class A1/218 or CP/28 tungsten halogen (hard glass) tubular lamp. 9-in. (230-mm) dia. faceted ellipsoidal reflector. Four hard-edge and four soft-edge beam-shaping shutters, built-in iris diaphragm and gate runners. Helically sliding internal lens tube with 10×20-in. (250×510-mm) p.c. lens providing 15° max. spread. Die-cast front with double runners and a 11½-in. (300-mm) square colour frame.