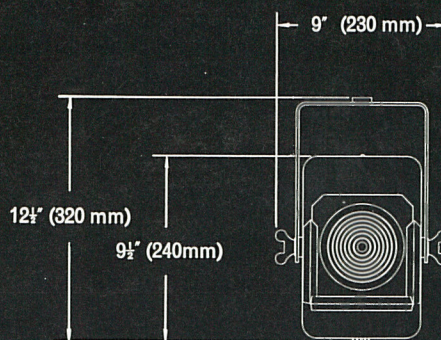


SCALE 1:10



WEIGHT
Patt 45 8 1/2 lb (3.7 kilos)

LAMPS & PERFORMANCE DATA

THROW DISTANCE

BEAM SPREAD

ILLUMINATION

	THROW DISTANCE		BEAM SPREAD		ILLUMINATION							
	feet	metres	feet	metres	500W 120V 500T20/48 or Philips 559C		500W 240V Class T/1 or Philips 559C		250W 120V 250T20/47 or Philips 558C		250W 240V Class T/3 or Philips 558C	
					f.c.	lux	f.c.	lux	f.c.	lux	f.c.	lux
Pattern 45 SPOT FOCUS BEAM ANGLE 8° in which intensity varies 2:1 FIELD ANGLE 14° in which intensity varies 10:1	15	5	2	0.75	110	1000	94	850	39	350	37	335
	20	7	3	1	62	510	53	435	22	180	21	170
	25	9	4	1.25	40	310	34	260	14	110	13	105
	30		5		28		24		10		9	
Pattern 45 FLOOD FOCUS BEAM ANGLE 36° in which intensity varies 2:1 FIELD ANGLE 45° in which intensity varies 10:1	10	4	7	2.5	49	275	37	235	16	100	14	85
	15	5	10	3.25	19	175	17	150	7	60	6	55
	20		13		11		9		4		3	

SPECIFICATION

The spotlight shall be constructed of steel pressings with baffled ventilation slots and shall contain a prefocus lamp-holder which shall be adjusted relative to a Fresnel lens. The medium prefocus (P.28) porcelain lampholder, for a 250 or 500-watt projection lamp, shall be mounted on a lamp tray which shall be adjustable through 2-in (50mm) by means of a slide focus provided with a heat-resisting locking knob semi-recessed in a wide baffled slot at the bottom. High temperature flexible cable including earth/ground conductor shall be fitted and shall have an external length of 30-in (0.75m).

The 4 1/2-in (115mm) diameter short focus Fresnel lens shall be recessed within its mount and shall be secured from the front by a sprung ring and provided with a lens guard.

Interior access shall be through a hinged rear door provided with a spring catch. Colour frame runners shall be provided and one 5 3/8 x 5 1/4-in (145 x 135mm) millboard colour frame supplied.

The spotlight shall be mounted in a reversible mild steel fork with thumbscrew tilt clamps and 3/8-in. bolt and wing nut for suspension.

The exterior and fork shall be smooth finished hard hammer grey and the interior flat dark grey.

ACCESSORIES

Ref. 650. Additional 5 3/8 x 5 1/4-in metal colour frames.

Ref. 76. Additional 5 3/8 x 5 1/4-in millboard colour frames.