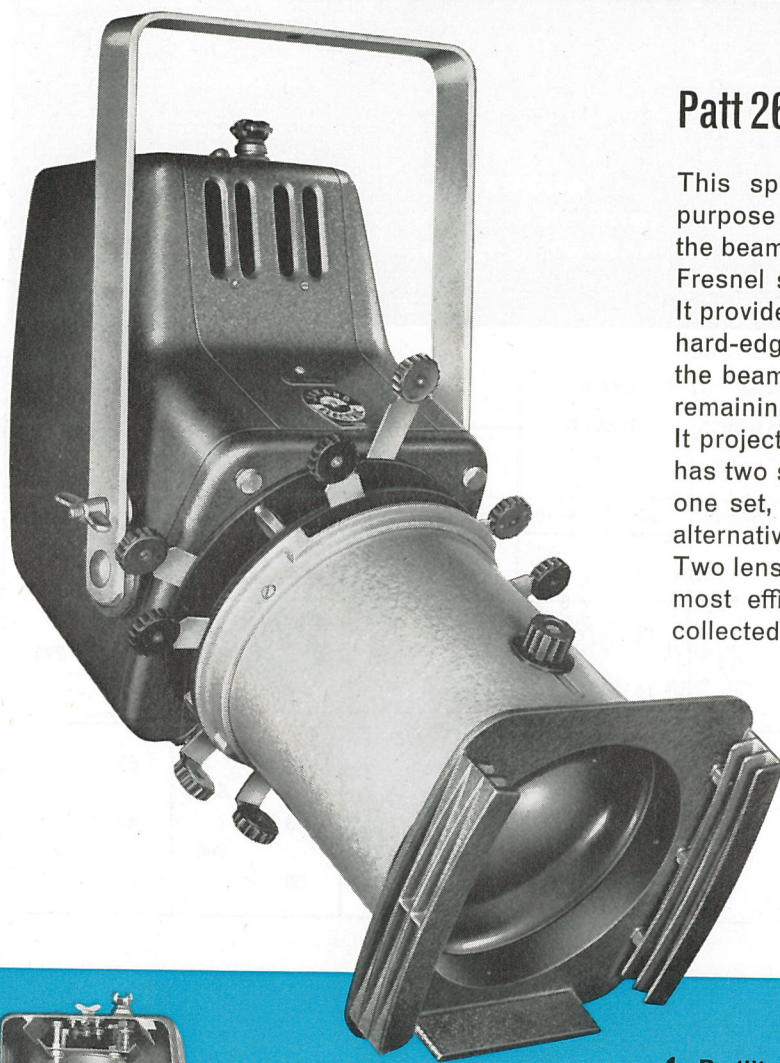




BI-FOCAL SPOTS



Patt 264, Patt 264W, 750/1000 Watt

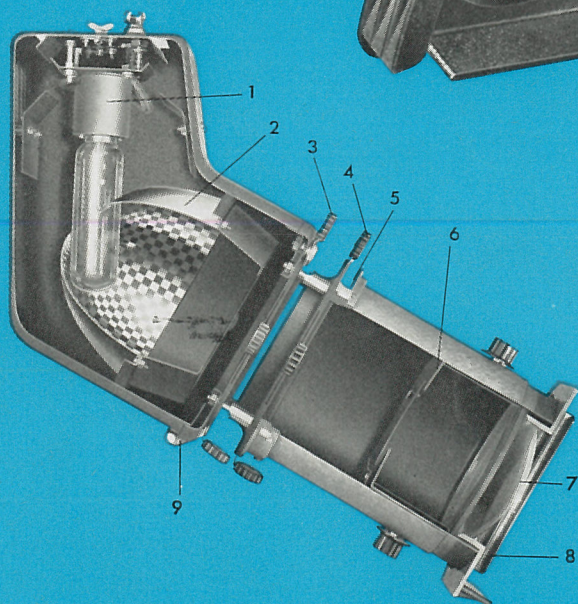
This spotlight is the only modern general-purpose unit for creative lighting as it embodies the beam characteristics of both the Profile and Fresnel spotlights in one compact unit.

It provides accurate control of beam shape with hard-edge cut-off on any one or more sides of the beam with indeterminate soft-edges on the remaining sides.

It projects an image of the gate aperture which has two sets of four built-in masking shutters – one set, in focus, for hard-edges and another alternative set, out of focus, for soft-edges.

Two lens combinations are available so that the most efficient use can be made of the light collected at the gate by an ellipsoidal reflector.

*British Patent 1063392
U.S.A. Patent 3307028
Foreign patents pending.*



1. Pretilted medium prefocus lampholder
2. 6¼-in. diameter faceted ellipsoidal reflector
3. Four soft-edge masking shutters with red knobs
4. Four hard-edge masking shutters with black knobs
5. Gate runners for optional addition of an iris or a purpose made mask
6. Fixed diaphragm to intercept stray light, also mount for additional 3½×9-in. lens for wide angle model, Patt 264W
7. 6×8-in. lens in sliding, but captive, tube. Lens is reversed for wide angle model
8. Double colour frame runners
9. Hinged gate and lens tube assembly for interior access