

STRAND ARC SPOTLIGHTS

PATTERN 75 FRONT OF HOUSE SPOTTING OR EFFECTS ARC, 80 AMP.



This lantern has been designed for front of house spotting over long throws and is readily converted for projecting slides or effects. It may be used on D.C. or A.C. electric supplies.

SPECIFICATION

The Lamphouse is constructed of sheet steel with a cast aluminium back. The housing consists of an inner and outer frame with air space between, giving efficient ventilation.

Vertical and horizontal barn door shutters and iris diaphragm are fitted, operated by handwheels at the rear. Double runners for colour frames (6 provided) and a cast front to take effects attachments are fitted. Complete with 6-inch diameter 12-inch focus plano-convex lens in removable mount, asbestos curtain at rear, tilting fork and quadrant, heavy pattern telescopic stand with ball bearing swivelling collar and cast base. Finish: crystalline black enamel outside, matt black inside, nickel-plated wheels and fittings.

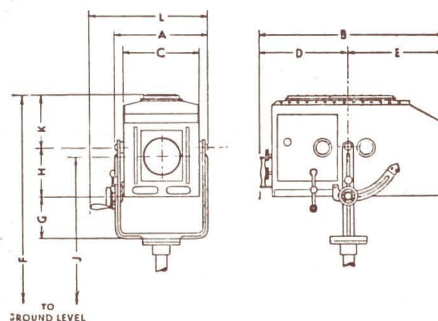
ARC LAMP.—Six movement hand feed type, carrying up to 80-amps., rack and pinion focussing, with indicator scale. Connector box is fitted in lamphouse.

DIMENSIONS

	Ft.	In.		Ft.	In.
A ...	1	7	G ...		9
B ...	2	7 $\frac{1}{4}$	H ...		7 $\frac{1}{4}$
C ...	1	0 $\frac{1}{2}$	J ...	4	7 (Max.)
D ...	1	4		3	9 (Min.)
E ...	1	3 $\frac{1}{2}$	K ...		10 $\frac{1}{2}$
F ...	5	6 (Max.)	L ...	1	7 $\frac{3}{4}$
	4	8 (Min.)			

Radius of circle containing feet of stand—
14 $\frac{1}{2}$ ins.

Nett weight of Lantern 100 lbs.
Nett weight of Stand 56 lbs.



OPERATING DATA				
	Arc Amps	Arc Volts	Carbons	Total burning time
D.C.	80	50	Pos. 22 m/m cored Neg. 11 m/m cored and copper plated	2 hours
A.C.	80	30	22 m/m white flame	3 hours 55 mins.

For further details of carbons see page L.56.

Maximum angle of tilt below horizontal 35°.
Maximum throw normally used, up to 150 feet.

Suitable Resistances, see pages D.41 et seq.
Optical Effect Accessories, see pages F.21 et seq.

PRICE (complete with stand)
D.125.—Extra Metal colour frames	each
D.122.—Assorted gelatine mediums, cut to size	per doz.
D.123.—Assorted "Cinemoid" colours, cut to size	"
D.126.—Colour wheel with colour mediums	each
D.127.—Rainbow wheel with colour mediums	"
D.128.—Flicker wheel	"
D.124.—Effect attachment with 6-inch lens	"
D.150.—Slide carrier to fit Effect attachment, with adjustable carrier for 3 $\frac{1}{4}$ -inch square slides and runners for lens draw tubes (for long focus lens draw tubes see top of page F21, back)	"

HEAD OFFICE AND SHOWROOMS

29, KING STREET, LONDON, W.C.2

SALES AND GOODS - 24, FLORAL ST., W.C.2

TEMPLE BAR 4444 GRAMS: SPOTLITE RAND LONDON

BRANCHES

313, OLDHAM ROAD, MANCHESTER 10

COLLYHURST 2736

62, DAWSON ST., DUBLIN - DUB 74030