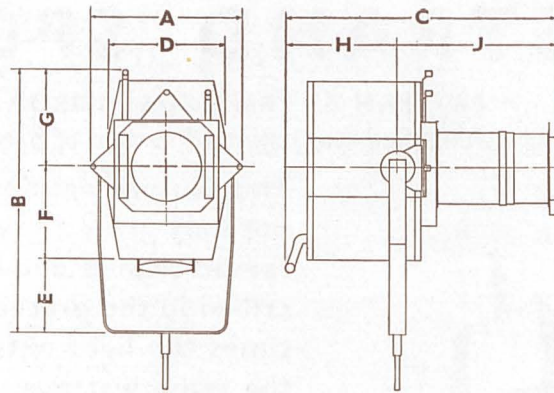


## DIMENSIONS

			Ft.	Ins.	
A	...	...	1	1½	
*B	...	...	1	8½	(Min.)
	...	...	1	11½	(Max.)
C	...	...	1	9½	(Min.)
	...	...	2	0¼	(Max.)
D	...	...	0	10	
E	...	...	0	3	(Min.)
	...	...	0	6¼	(Max.)
F	...	...	0	8	
G	...	...	0	9½	
H	...	...	0	10	
J	...	...	0	11½	(Min.)
	...	...	1	2¼	(Max.)

\*This dimension is over shutter operating handles. If the required tilt is not acute the lantern may be dropped lower into the fork and the overall height reduced to 1ft. 7½ins.



**Lamp**—1,000 watt Class A.1 Tubular Projector with large prefocus cap (maximum angle of lantern tilt=15° upwards, 30° downwards). 1,000 watt class B.1 Round Bulb Projector with large prefocus cap. 1,000 watt Class T with large prefocus cap. The latter is recommended. (Tilt in both the last two cases is up to 90° of cap vertically down.)

**Beam Angles**—19° or 38° max. with C.354 attachment (see below). Min. 3°.

**Maximum Throw**—Normally used up to 70 feet.

**Weight**—Nett weight 37 lbs. approx.

## PRICES—

**Pattern 53 Lantern with standard fork and suspension pin** .. .. . £ 22 18 6 each  
(unless otherwise specified, this form of mounting will be supplied)

Alternatively :—

**Pattern 53 lantern with fork fitted with feet** .. .. . £ 22 18 6 "

C.306.—Spare 6-inch dia. 8-inch focus, heat-resisting plano convex lens	.. .. .	2 15 0	each
C.282.—Spare 8-inch dia. silvered glass reflector	.. .. .	2 15 0	"
C.283.—Spare 8-inch dia. anodized aluminium reflector	.. .. .	2 1 6	"
C.284.—Metal colour frames (7¾ ins. x 7¾ ins.)†	.. .. .	2 4	"
C.285.—Assorted gelatine colours (cut to size)	.. .. .	6 2	per doz.
C.286.—"Cinemoid" colours (cut to size)	.. .. .	11 0	"
C.105.—Iris diaphragm	.. .. .		each
C.354.—Wide Angle lens unit increasing beam angle to 38°	.. .. .		"
C.185.—15-amp. 3-pin moulded connectors	.. .. .	9 4	per pair
C. 64.—Safety chain with snap hook	.. .. .	3 6	each
C. 65.—"L" clamp for 2-inch diameter barrel	.. .. .	3 6	"
C. 84.—Adjustable barrel clamp	.. .. .	11 6	"
C. 66.—Telescopic stand with cable hook and swivelling collar (min. height 4 feet 3 inches, max. height 7 feet)	.. .. .	3 10 0	"
C.112.—Heavy cast iron bench base with locking handle (height 6½ inches, weight 5¼ lbs.)	.. .. .	13 9	"
C.113.—Flange plate stand with locking wheel (height 6 inches, weight 1¾ lbs.)	.. .. .	14 0	"
C.247.—Swivel arm wall bracket (reach 10 inches)	.. .. .	1 8 6	"
C.248.—Ditto, with swivelling extension arm (max. reach 19 inches)	.. .. .	2 2 0	"
C.251.—Adjustable boomerang bracket for 2-inch dia. barrel (reach 10 inches)	.. .. .	2 6 6	"
C.252.—Ditto, with extension arm (max. reach 19 inches)	.. .. .	3 0 0	"
C.255.—Fixed boomerang bracket for 2-inch dia. barrel (reach 11 inches)	.. .. .	13 3	"

†These frames are not suitable for use with the colour change mechanism which can be fitted to this lantern, for details of which see leaflet C.85. For rainbow, flicker and colour wheels see leaflet C.81.

HEAD OFFICE AND SHOWROOMS  
29, KING STREET, LONDON, W.C.2  
SALES AND GOODS - 24, FLORAL ST., W.C.2  
TEMPLE BAR 4444 GRAMS : SPOTLITE RAND LONDON



BRANCHES  
313, OLDHAM ROAD, MANCHESTER 10  
COLLYHURST 2736  
62, DAWSON ST., DUBLIN - DUB 74030